



DEPARTMENT OF REGULATORY AND ECONOMIC RESOURCES (RER)  
 BOARD AND CODE ADMINISTRATION DIVISION  
**NOTICE OF ACCEPTANCE (NOA)**

**Lawson Industries, Inc.**  
**8501 N. W. 90<sup>th</sup> Street**  
**Medley, FL 33166**

**SCOPE:**

This NOA is being issued under the applicable rules and regulations governing the use of construction materials. The documentation submitted has been reviewed and accepted by Miami-Dade County RER -Product Control Section to be used in Miami Dade County and other areas where allowed by the Authority Having Jurisdiction (AHJ).

This NOA shall not be valid after the expiration date stated below. The Miami-Dade County Product Control Section (In Miami Dade County) and/or the AHJ (in areas other than Miami Dade County) reserve the right to have this product or material tested for quality assurance purposes. If this product or material fails to perform in the accepted manner, the manufacturer will incur the expense of such testing and the AHJ may immediately revoke, modify, or suspend the use of such product or material within their jurisdiction. RER reserves the right to revoke this acceptance, if it is determined by Miami-Dade County Product Control Section that this product or material fails to meet the requirements of the applicable building code.

This product is approved as described herein, and has been designed to comply with the Florida Building Code, including the High Velocity Hurricane Zone.

**DESCRIPTION: Series "La Porte" Aluminum Outswing French Doors w/ Sidelites-Non Impact**

**APPROVAL DOCUMENT:** Drawing No. **FD-1075.2 Rev #C**, titled "La Porte", Outswing French Door", sheets 1 through 6 of 6, prepared by the manufacturer, dated 05/05/99 and last revised on NOV 21, 2017, signed and sealed by Thomas J. Sotos, P.E., bearing the Miami-Dade County Product Control Revision stamp with the Notice of Acceptance number and expiration date by the Miami-Dade County Product Control Section.

**MISSILE IMPACT RATING: None: Approved Hurricane Protection Devices Complying w/ FBC , as applicable, are required**

**Limitations:**

1. See design Pressure chart and limitations in sheets 1.
2. See 5/16" Elco Ultracon specification in sheet 2. See Optional frame Head/jamb installation in sheet 6.
3. Glazing Vinyl item #12 shall meet material properties listed per compound 7200-75 & 7267-75 per sheet 5.
4. Applicable door egress requirement to be reviewed by Building official.

**LABELING:** Each unit shall bear a permanent label with the manufacturer's name or logo, city, state and series and following statement: "Miami-Dade County Product Control Approved", noted herein.

**RENEWAL** of this NOA shall be considered after a renewal application has been filed and there has been no change in the applicable building code negatively affecting the performance of this product.

**TERMINATION** of this NOA will occur after the expiration date or if there has been a revision or change in the materials, use, and/or manufacture of the product or process. Misuse of this NOA as an endorsement of any product, for sales, advertising or any other purposes shall automatically terminate this NOA. Failure to comply with any section of this NOA shall be cause for termination and removal of NOA.

**ADVERTISEMENT:** The NOA number preceded by the words Miami-Dade County, Florida, and followed by the expiration date may be displayed in advertising literature. If any portion of the NOA is displayed, then it shall be done in its entirety.

**INSPECTION:** A copy of this entire NOA shall be provided to the user by the manufacturer or its distributors and shall be available for inspection at the job site at the request of the Building Official.

This NOA **revises NOA # 17-0918.02** and consists of this page 1 and evidence pages E-1 & E-2, as well as approval document mentioned above.

The submitted documentation was reviewed by **Ishaq I. Chanda, P.E.**



NOA No. 17-1212.10  
 Expiration Date: September 13, 2022  
 Approval Date: January 25, 2018  
 Page 1

✶  
 1/18/18

**NOTICE OF ACCEPTANCE: EVIDENCE SUBMITTED**

**1. Evidence submitted in previous files**

**A. DRAWINGS**

1. Manufacturer's die drawings and sections (submitted under files referenced below)
2. Drawing No. **FD-1075.2 Rev #C**, titled "La Porte", Outswing French Door", sheets 1 through 6 of 6, prepared by the manufacturer, dated 05/05/99 and last revised on FEB 24, 2015, signed and sealed by Thomas J. Sotos, P.E.

**B. TESTS (Submitted under files #14-0908.06/#12-0127.02/# 08-0513.07)**

1. Test reports on:
  - 1) Air Infiltration Test, per FBC, TAS 202-94
  - 2) Uniform Static Air Pressure Test, Loading per FBC TAS 202-94
  - 3) Water Resistance Test, per FBC, TAS 202-94
  - 4) Forced Entry Test, per FBC 2411 3.2.1, TAS 202-94

Along with marked-up drawings and installation diagram of aluminum outswing French door (XX verification unit), prepared by Hurricane Engineering & Testing, Inc., Test Reports No. **HETI-07-2139** issued on 03-04-08 and revised & reissued on July 01, 2008, signed & sealed by Candido Font, P. E.

2. Test reports on:
  - 1) Air Infiltration Test, per FBC, TAS 202-94
  - 2) Uniform Static Air Pressure Test, Loading per FBC TAS 202-94
  - 3) Water Resistance Test, per FBC, TAS 202-94
  - 4) Forced Entry Test, per FBC 2411 3.2.1, TAS 202-94

Along with marked-up drawings and installation diagram of an aluminum French door w/ sidelites, prepared by Hurricane Engineering & Testing, Inc., Test Report No. **HETI-06-4017** issued on 08-04-06 & revised & reissued on 12/11/06, signed & sealed by Rafael E. Droz-Seda, P. E.

3. Additional Test reports Test Reports No. **FTL-1291**, per SFBC, PA 202-94, issued on 12-27-95 and reissued on 07-26-1996 by Fenestration Testing lab.

**C. CALCULATIONS**

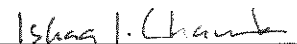
1. Statement letter dated 09/02/14 for compliance to FBC 2014, prepared, signed and sealed by Thomas J. Sotos, P. E
2. Anchor verification calculations dated 03/27/12, prepared, signed and sealed by Thomas J. Sotos, P. E. (Submitted under file # **12-0127.02**)
3. Comparative analysis calculation dated 07-01-08, prepared, signed and sealed by Thomas J. Sotos, P. E. (Submitted under file # **08-0513.07**).
4. Glazing complies w/ ASTM E-1300-02,-04 &-09.

**D. QUALITY ASSURANCE**

1. Miami-Dade Department of Regulatory and Economic Resources (RER).

**E. MATERIAL CERTIFICATIONS**

1. Technical data sheet of flexible vinyl compound BVC 7267-75 & BVC 7200-75, published by Bayshore Vinyl Compounds Inc.



Ishaq I. Chanda, P.E.  
Product Control Examiner  
NOA No. 17-1212.10

Expiration Date: September 13, 2022

Approval Date: January 25, 2018

**NOTICE OF ACCEPTANCE: EVIDENCE SUBMITTED**

**F. STATEMENTS**

1. Statement letter dated May 26, 2017 for compliance to FBC 2014 (5<sup>th</sup> edition), prepared, signed and sealed by Thomas J. Sotos, P. E.
2. Statement letter dated 09/02/2014 for compliance to FBC 2014 (5<sup>th</sup> edition), prepared, signed and sealed by Thomas J. Sotos, P. E. (Submitted under files #14-0908.06)
3. Laboratory compliance statement, part of above referenced test reports.

**G. OTHER**

1. This NOA **renews** NOA # **14-0908.06**, expiring on Sep. 13, 2022.
2. Test proposals 02/27/07 & dated 11/15/05 approved by BCCO.

**2. New Evidence submitted.**

**A. DRAWINGS**

1. Drawing No. **FD-1075.2 Rev #C**, titled "La Porte", Outswing French Door", sheets 1 through 6 of 6, prepared by the manufacturer, dated 05/05/99 and last revised on NOV 21, 2017, signed and sealed by Thomas J. Sotos, P.E.

Note: This revision consist of editorial changes of FBC 17 (6<sup>th</sup> Edition) code compliance.

**B. Test**

1. None.

**C. CALCULATIONS**

1. None

**D. QUALITY ASSURANCE**

1. Miami Dade Department of Regulatory and Economic Resources (RER).

**E. MATERIAL CERTIFICATIONS**

1. None.

**F. STATEMENTS**

1. Statement letter of conformance to FBC 2017 (6<sup>th</sup> Edition) and "No financial interest" dated 11/17/17, prepared by the manufacturer, signed and sealed by Thomas J. Sotos, P.E.

**G. OTHER**

1. This NOA **revises** # **17-0918.02**, expiring 09/13/22.

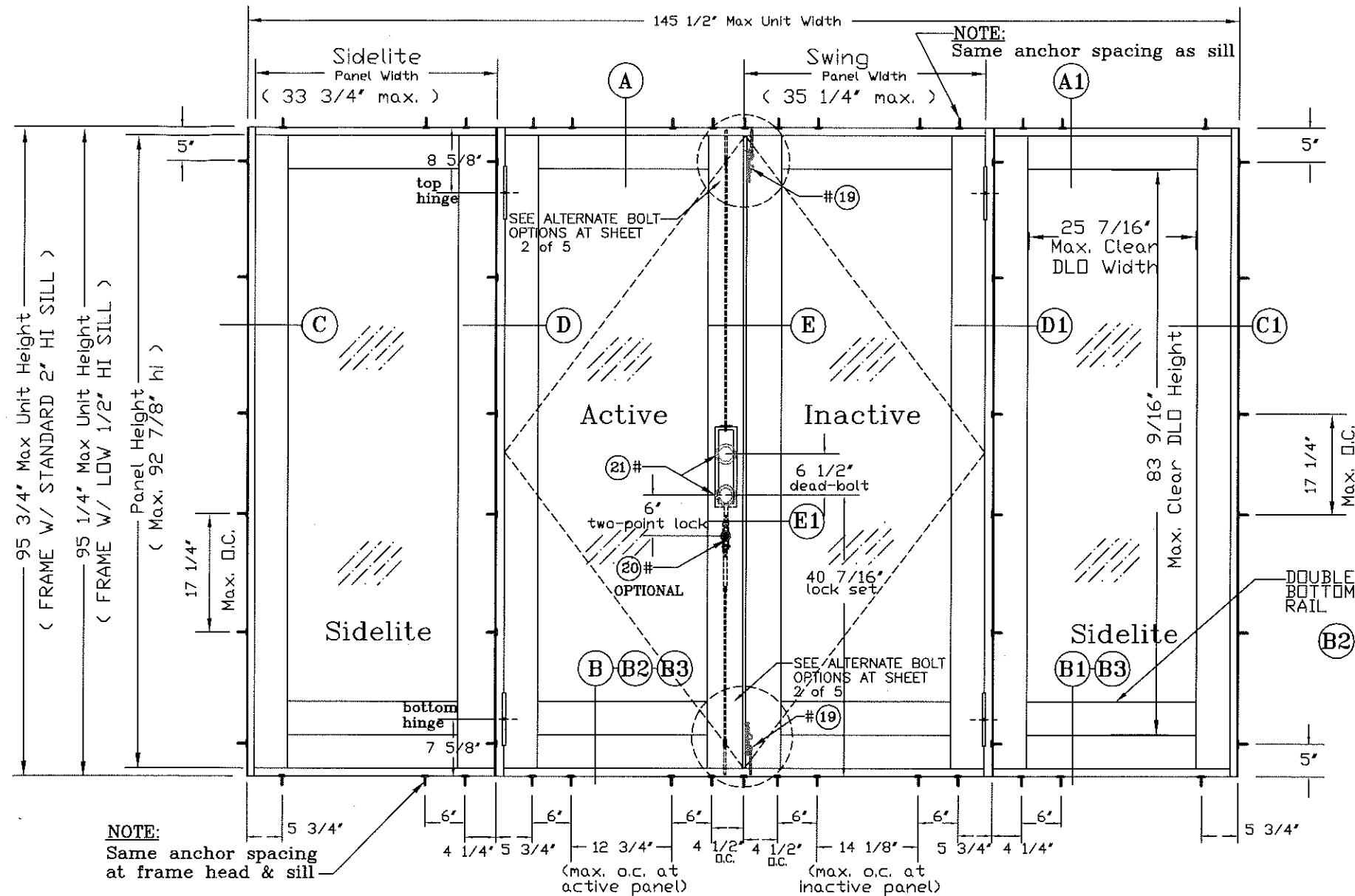
*Ishaq I. Chanda*

Ishaq I. Chanda, P.E.  
Product Control Examiner  
NOA No. 17-1212.10

Expiration Date: September 13, 2022  
Approval Date: January 25, 2018

**GENERAL NOTES:**

1. THIS PRODUCT IS DESIGNED AS PER FLORIDA BUILDING CODE (2014-5th EDITION & 2017-6th Edition). ALSO FOR WIND LOADS AS PER ASCE 7 USING CORRESPONDING LOADS.
2. GLASS MEETS REQUIREMENTS OF ASTM-E1300 AS PER CHAPTER 24 FLORIDA BUILDING CODE.
3. 1X OR 2X WOOD BUCKS BY OTHERS, MUST BE ANCHORED PROPERLY TO TRANSFER LOADS TO THE STRUCTURE & TO BE REVIEWED BY BUILDING OFFICIAL.
4. ANCHORS SHALL BE AS LISTED, SPACED AS NOTED & SHOWN ON DETAILS. ANCHOR EMBEDMENT TO BASE MATERIAL SHALL BE BEYOND WALL DRESSING OR STUCCO. (SEE NOTES AT SHEET 2 OF 6)
5. ANCHORING OR LOADING CONDITIONS NOT SHOWN IN THESE DETAILS ARE NOT PART OF THIS APPROVAL.
6. SEE NOTES @ SHEET 2 OF 6 FOR INSTALLATION FASTENERS TYPE.
7. OPERABLE PANEL MUST MEET APPLICABLE REQUIREMENTS PER BUILDING CODE.
8. HURRICANE SHUTTERS ARE REQUIRED (HVHZ) AS PER FBC.
9. ALL DIMENSIONS ARE IN INCHES.
10. DOOR MAY BE GLAZED WITH 3/16" MONOLITHIC TEMPERED GLASS, OR WITH 1/2" INSULATED TEMPERED GLASS. (SEE GLAZING DETAILS AT SHEET 6 OF 6)
11. FOR INSTALLATIONS ON METAL STRUCTURES AND DIRECT TO CONCRETE SEE OPTIONAL FRAME INSTALLATION DETAILS AT SHEET 6 OF 6



Series: LaPorte" FRENCH DOOR "OXO" EXTERIOR ELEVATION

"LaPorte" FRENCH OUTSWING DOOR - DESIGN LOAD CHART

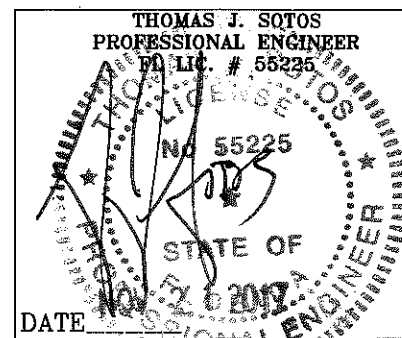
DOOR NOMINAL SIZE	PANEL WIDTH/HEIGHT ACTUAL SIZE (INCHES)		NUMBER OF ANCHORS /JAMB	DP ( PSF ) **	
	W. / H.	WIDTH * HEIGHT *		EXTERIOR +(PSF)	INTERIOR -(PSF)
16 / 68 hi	16 3/8"	76 7/8"	*(5)	+60.00	-100.00
18 / 68 hi	22 3/8"			+60.00	-100.00
20 / 68 hi	24 3/8"			+60.00	-100.00
26 / 68 hi	28 3/8"			+60.00	-83.50
28 / 68 hi	30 3/8"			+60.00	-79.00
30 / 68 hi	34 3/8"			+60.00	-72.40
30E / 68 hi	35 1/4"			+60.00	-71.10
16 / 80 hi	16 3/8"	92 7/8"	*(6)	+60.00	-100.00
18 / 80 hi	22 3/8"			+60.00	-96.50
20 / 80 hi	24 3/8"			+60.00	-81.20
26 / 80 hi	28 3/8"			+60.00	-66.50
28 / 80 hi	30 3/8"			+60.00	-62.90
30 / 80 hi	34 3/8"			+57.10	-57.10
30E / 80 hi	35 1/4"			+56.00	-56.00

\* OPERABLE PANEL MUST MEET APPLICABLE REQUIREMENTS PER BUILDING CODE.  
 \* ( ) PARENTHESIS INDICATES # OF ANCHORS AT FRAME JAMB.  
 \* SEE LIMITATIONS

**\*\* LIMITATIONS:**

1. MAX. DP = +60/-79.0 PSF W/ (2) Surface Bolts (Active Panel) & (2) Surface Bolts (Inactive).
2. MAX. DP = +60/-79.0 PSF W/ (1) Two-Point Lock (Active) & (2) Surface Bolts (Inactive).
3. MAX. DP = +60/-79.0 PSF W/ Flat Sill, where water infiltration is not required or opening is protected by overhang ratio greater than one.
4. All Lock Stiles must be equiped w/ Lock & Dead Bolt set (item #21).
5. When using Two-Point lock (item #20), Dead Bolt is not required.
6. Two-Point lock (#20) & Flush Bolts (#19) in Active Panel are optional. (SEE TWO-POINT LOCK & DEAD BOLT DETAILS @ SHEET 3 OF 6 & 4 OF 6)

PRODUCT REVISED  
 as complying with the Florida  
 Building Code  
 Acceptance No. 17-1212-10  
 Expiration Date SEP 13, 2022  
 Thomas J. Sotos  
 State Product Control



Revision Notes:	
A)	REVISED TO COMPLY W/ 2004 FBC ADDED 1/2" INSULATED GLASS
B)	REVISED TO COMPLY W/ 2010 FBC
C)	REVISED TO COMPLY W/ 2014 FBC
D)	REVISED TO COMPLY W/ 2017 FBC
Drawn By:	NELSON ERAZO
Date Drawn:	05-05-99
Revised By:	NELSON ERAZO
Date Revised:	11-01-17
Reference:	Scale: 1/2"

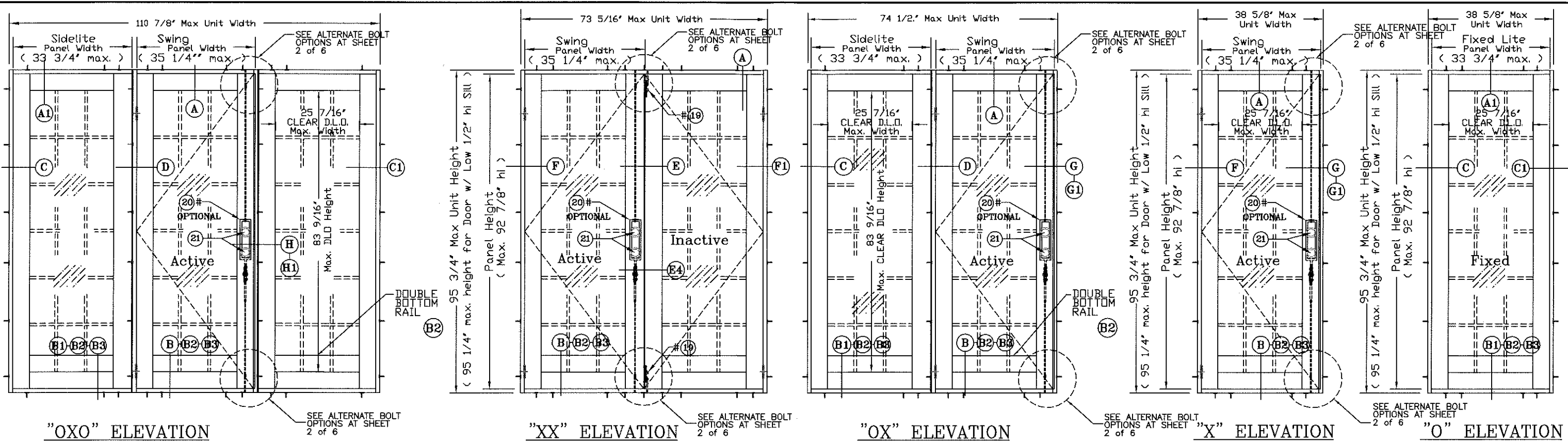
**LAWSON INDUSTRIES, INC.**  
 MANUFACTURER OF QUALITY ALUMINUM WINDOWS AND GLASS DOORS

8501 N.W. 90 ST.  
 MEDLEY, FLORIDA 33166  
 PH No. (305) 696-8660

Draw Class:	Part Class:	Prod Category:	Series/Model:	Item:	Sheet:
LAYOUT	F.D.	"LaPORTE"			1 of 8

SERIES-"LaPORTE" OUTSWING FRENCH DOOR - FLUSH FRAME - NON-IMPACT  
 "OXO" FRAME ELEVATION, GENERAL NOTES, AND DESIGN LOAD CHART

Part Number:	Drawing Number:	Revision Level:
ASSEMBLY\TEST UNIT\LaPORTE"	FD-1075.2	C



**APPROVED CONFIGURATIONS**

**INSTALLATION FASTENERS NOTES:**

**"1X BUCK" MINIMUM REQUIRED FASTENER LENGTH**  
 HEAD: 5/16" X 3 1/2" Long TAPCON(\*)  
 JAMB: 5/16" X 2 3/4" Long TAPCON(\*)  
 MULLIONS: 5/16" X 2 1/4" Long TAPCON(\*)  
 (\*) TAPCON BY "ELCO ULTRACON"

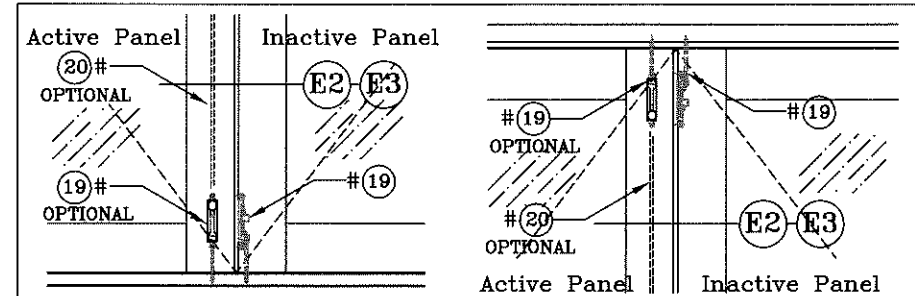
**"2X BUCK" MINIMUM REQUIRED FASTENER LENGTH**  
 HEAD: 5/16" X 3" Long TAPCON(\*)  
 JAMB: 5/16" X 2 1/4" Long TAPCON(\*)  
 MULLIONS: 5/16" X 2 1/4" Long TAPCON(\*)  
 (\*) TAPCON BY "ELCO ULTRACON"

**AT SILL: 5/16" TAPCON w/ 1 1/2" MIN. EMBED. INTO 3500 PSI CONC. MIN.**

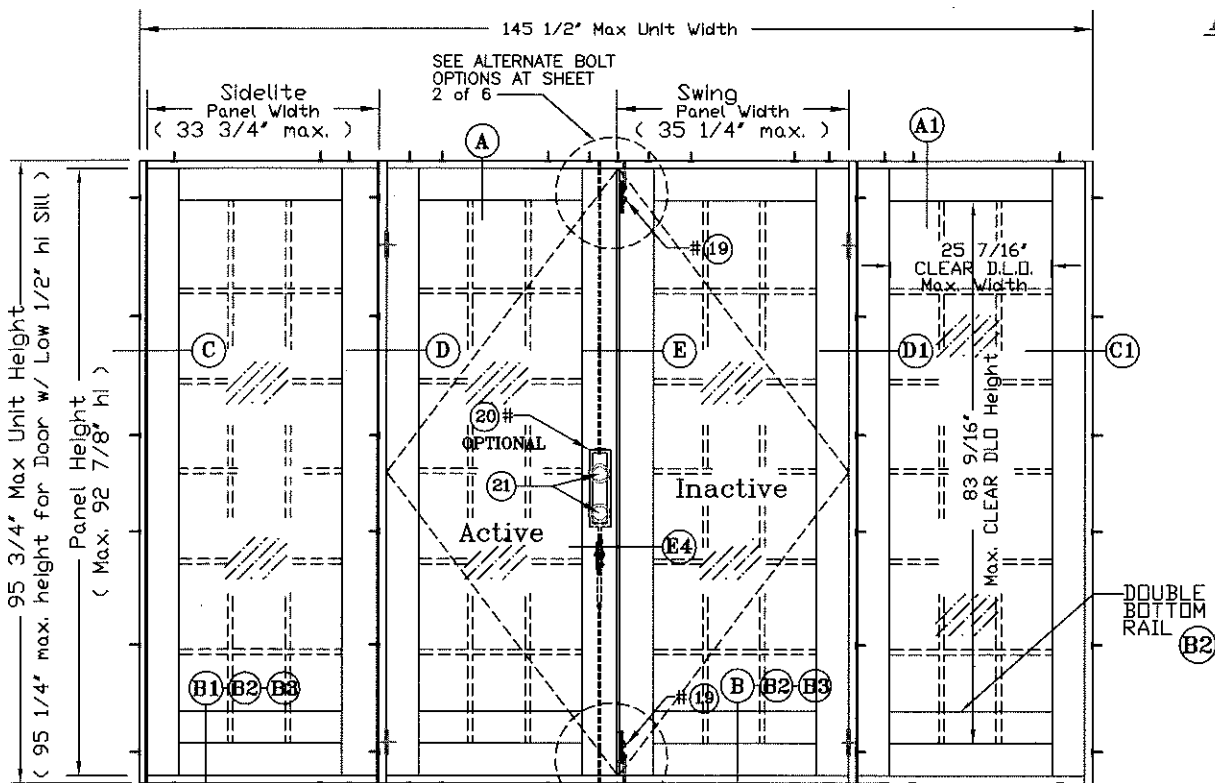
**NOTE:**  
 ALL FASTENERS W/ 1 1/2" MIN. EMBEDMENT,  
 1 1/4" MIN. EDGE DISTANCE & 1/4" MAX. SHIM SPACE

ANCHOR YIELD STRENGTH  $F_y=155\text{ksi}$   
 ANCHOR ULTIMATE STRENGTH  $F_u=177\text{ksi}$

**\* ALL TAPCON LENGTHS "L" SPECIFIED ARE MINIMUMS (SEE ELEVATION AT SHEET 1 OF 6 FOR ANCHOR MAX. SPACING AND LOCATIONS)**



- FLUSH BOLT & TWO-POINT LOCK LIMITATIONS:**
1. MAX. DP = +60.0 / -79.3 PSF W/ (2) Surface Bolts at Inactive Panel.
  2. MAX. DP = +60.0 / -79.3 PSF W/ 2-Point Lock (active), + (2) Surface Bolts at Inactive Panel.
  3. Two-Point lock (#20) & Flush Bolts (#19) in Active Panel are optional.



- ELEVATION NOTES:**
1. ALL ELEVATIONS ARE A GRAPHICAL REPRESENTATION VIEWED FROM THE EXTERIOR SIDE.
  2. MAX. FRAME SIZE 145 1/2"w. X 95 3/4"h. ( OXOXO ).
  3. QUALIFIES UNITS WITH AND WITHOUT SIDELITES.
  4. QUALIFIES SINGLE & MULTIPLE PANELS (SEE ELEVATIONS).
  5. PANELS ARE QUALIFIED AND AVAILABLE WITH SINGLE BOTTOM RAIL OR DOUBLE BOTTOM RAILS.
  6. EXT. & INT. FALSE COLONIAL MUNTINS ARE APPLIED W/ SILICONE AND ARE AVAILABLE AS OPTIONAL.
  7. MAX. CLEAR DAYLITE OPENING: (25 7/16"w. X 83 9/16"h.).
  8. OUT-SWING DOOR WITHOUT INSECT SCREEN.

THOMAS J. SOTOS  
 PROFESSIONAL ENGINEER  
 FL REG. # 55225  
 No 55225  
 DATE NOV 21 2017

<b>Revision Notes:</b>	
A) REVISED TO COMPLY W/ 2004 FBC ADDED 1/2" INSULATED GLASS	
B) REVISED TO COMPLY W/ 2010 FBC	
C) REVISED TO COMPLY W/ 2014 FBC	
D) REVISED TO COMPLY W/ 2017 FBC	
<b>Drawn By:</b> NELSON ERAZO	<b>Date Drawn:</b> 05-05-99
<b>Revised By:</b> NELSON ERAZO	<b>Date Revised:</b> 11-01-17
<b>Reference:</b>	<b>Scale:</b> 1/2"

**LAWSON INDUSTRIES, INC.**  
 MANUFACTURER OF QUALITY ALUMINUM WINDOWS AND GLASS DOORS

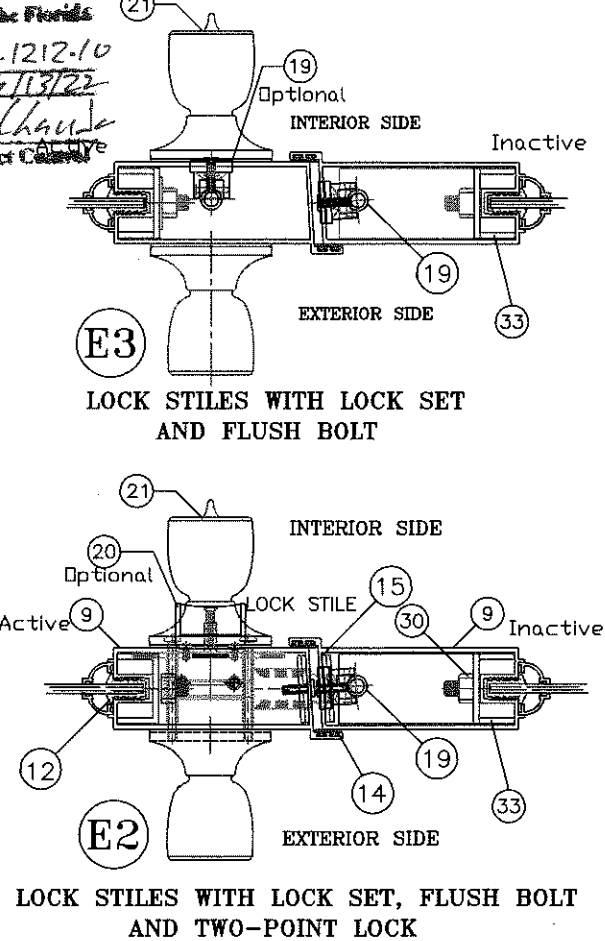
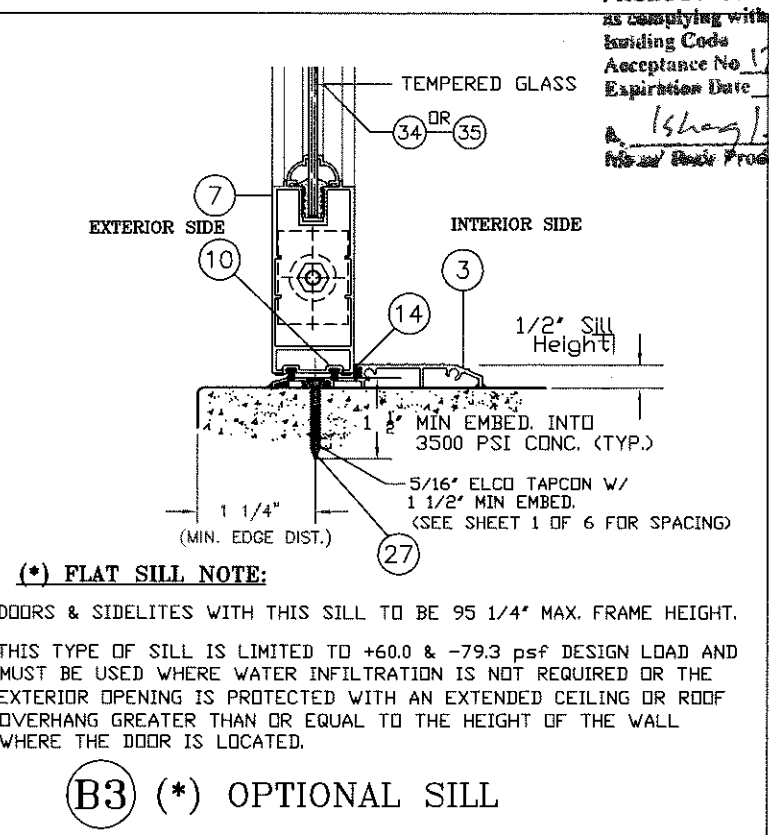
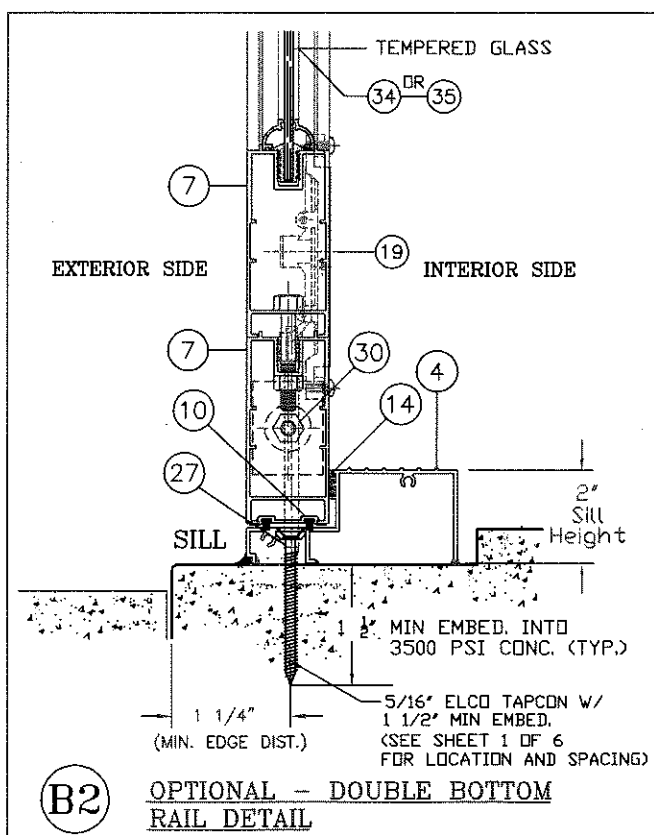
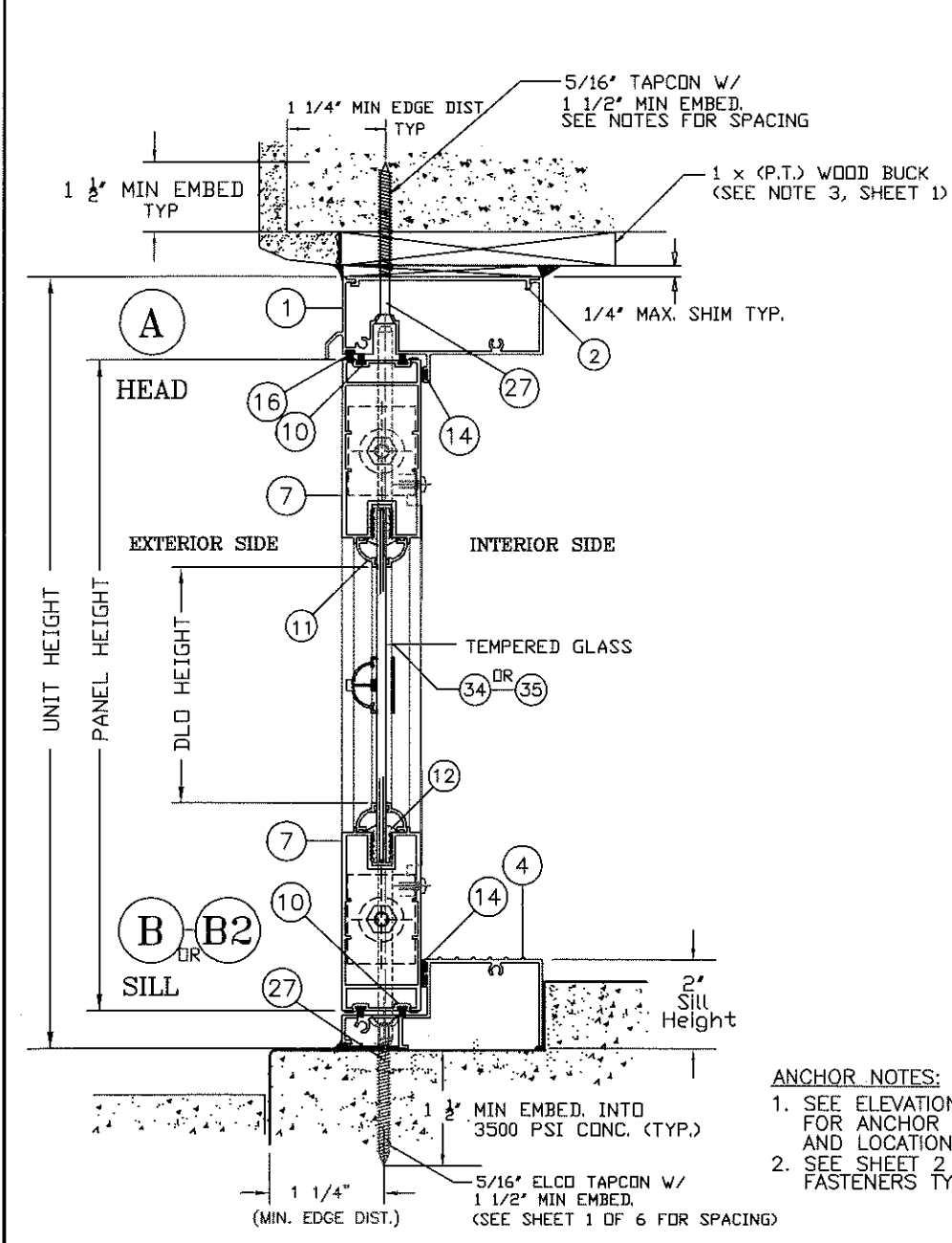
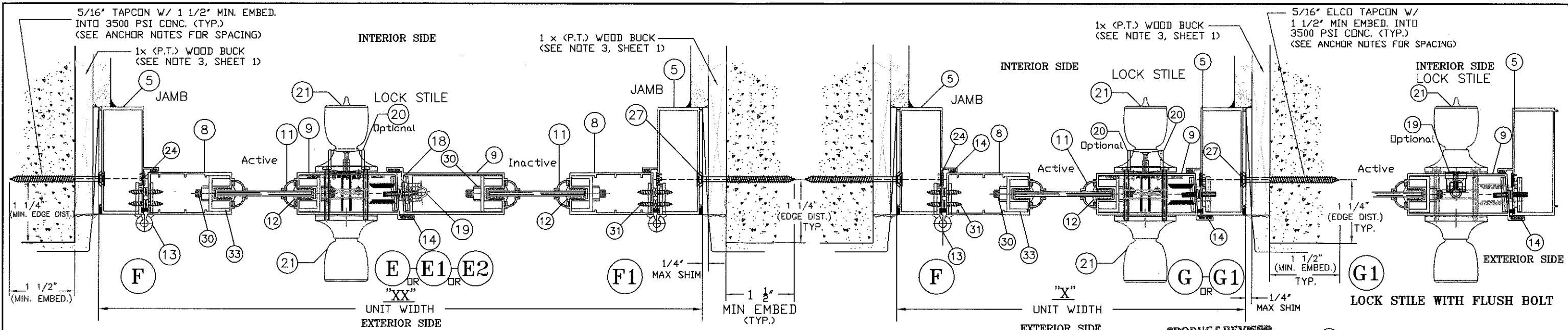
8501 N.W. 90 ST.  
 MEDLEY, FLORIDA 33166  
 PH No. (305) 696-8660

<b>Draw Class:</b> LAYOUT	<b>Part Class:</b>	<b>Prod Category:</b> F.D.	<b>Series/Model:</b> "LaPORTE"	<b>Item:</b>	<b>Sheet:</b> 2 of 6
---------------------------	--------------------	----------------------------	--------------------------------	--------------	----------------------

**SERIES-"LaPORTE" OUTSWING FRENCH DOOR - FLUSH FRAME - NON-IMPACT DOOR ELEVATIONS, & GENERAL NOTES**

<b>Part Number:</b> ASSEMBLY\TEST UNIT\LaPORTE	<b>Drawing Number:</b> FD-1075.2	<b>Revision Level:</b> C
--	----------------------------------	--------------------------

**PRODUCT REVISIONS**  
 as complying with the Florida Building Code  
 Acceptance No 17-1212-10  
 Expiration Date 9/12/22  
 E. Shog. Chauh  
 Director Product Control



PRODUCT REVISED as complying with the Florida Building Code Acceptance No. 17-1212-10 Expiration Date 5/13/22

*(Signature)*  
Product Category: ACTIVE

- ANCHOR NOTES:
- SEE ELEVATION AT SHEET 1 OF 6 FOR ANCHOR O.C. MAX. SPACING AND LOCATIONS.
  - SEE SHEET 2 OF 6 FOR INTALLATION FASTENERS TYPES.

THOMAS J. SOTOS  
PROFESSIONAL ENGINEER  
FL LIC # 55225  
No. 55225  
STATE OF FLORIDA  
REGISTERED PROFESSIONAL ENGINEER  
DATE NOV 27 2017

Revision Notes:	
A)	REVISED TO COMPLY W/ 2004 FBC ADDED 1/2" INSULATED GLASS
B)	REVISED TO COMPLY W/ 2010 FBC
C)	REVISED TO COMPLY W/ 2014 FBC
D)	REVISED TO COMPLY W/ 2017 FBC
Drawn By:	NELSON ERAZO
Date Drawn:	05-05-99
Revised By:	NELSON ERAZO
Date Revised:	11-01-17
Reference:	Scale: 1/2"

**LAWSON INDUSTRIES, INC.**

8501 N.W. 90 ST. MEDLEY, FLORIDA 33166 PH No. (305) 696-8660

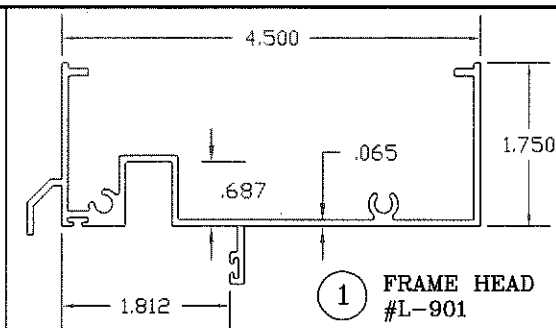
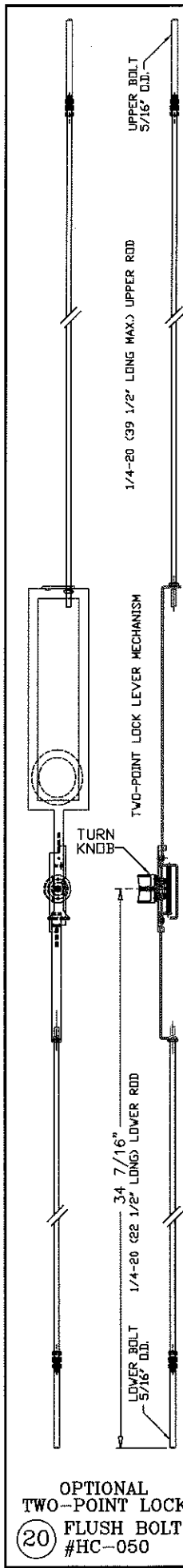
MANUFACTURER OF QUALITY ALUMINUM WINDOWS AND GLASS DOORS

Draw Class:	Part Class:	Prod Category:	Series/Model:	Item:	Sheet:
LAYOUT	F.D.	"LaPORTE"			3 of 6

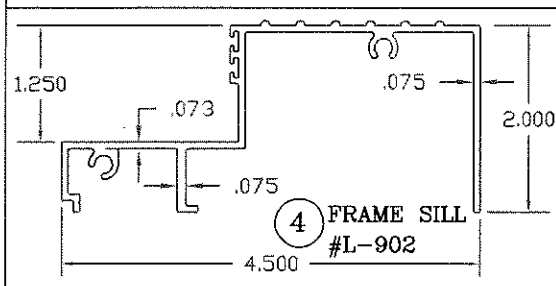
SERIES-"LaPORTE" OUTSWING FRENCH DOOR - FLUSH FRAME - NON-IMPACT FRAME AND PANEL ASSEMBLY CROSS SECTIONS, DETAILS, & NOTES

Part Number:	Drawing Number:	Revision Level:
ASSEMBLY\TEST UNIT\LaPORTE	FD-1075.2	C

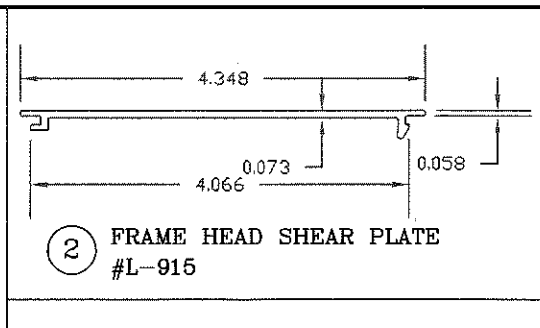




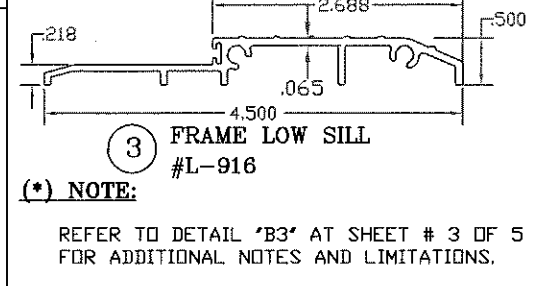
1 FRAME HEAD #L-901



4 FRAME SILL #L-902

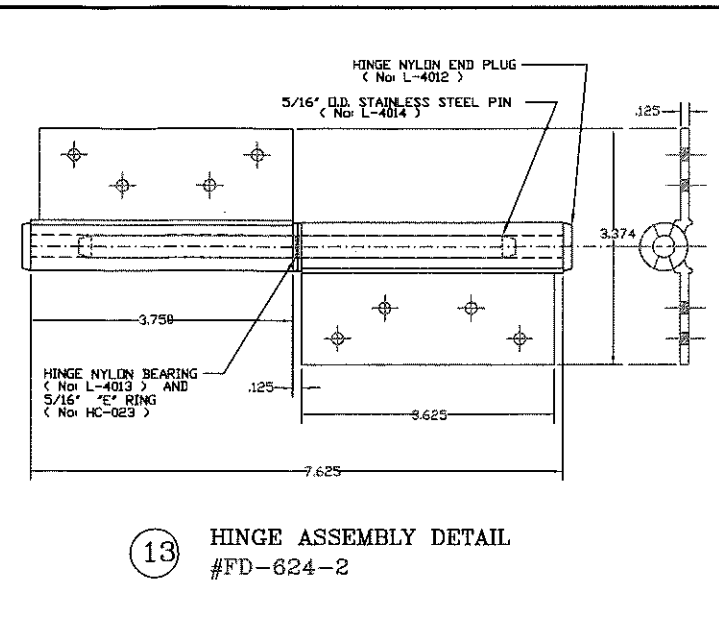


2 FRAME HEAD SHEAR PLATE #L-915

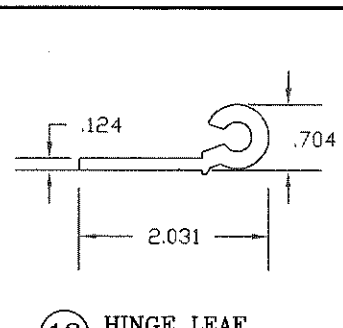


3 FRAME LOW SILL #L-916

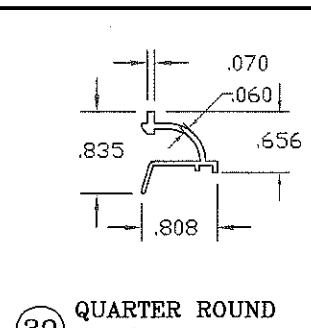
(\*) NOTE:  
REFER TO DETAIL 'B3' AT SHEET # 3 OF 5 FOR ADDITIONAL NOTES AND LIMITATIONS.



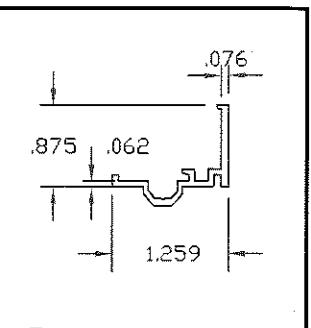
13 HINGE ASSEMBLY DETAIL #FD-624-2



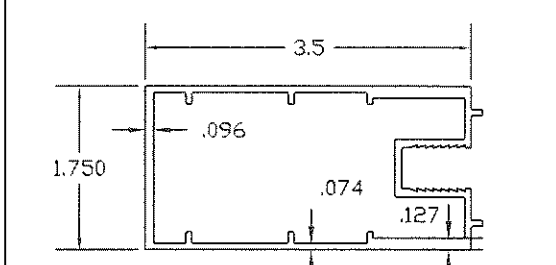
13 HINGE LEAF #L-908



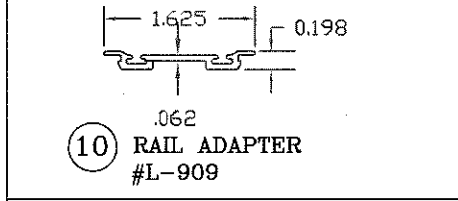
39 QUARTER ROUND (1/4") BEAD #L-911



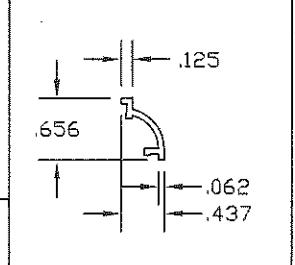
37 GLAZING ADAPTER #L-910



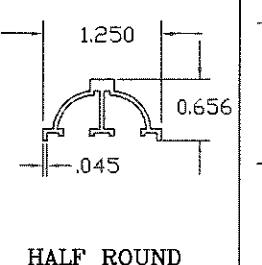
8 PANEL HINGE STILE #L-907



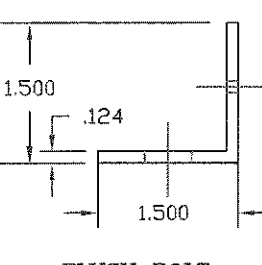
10 RAIL ADAPTER #L-909



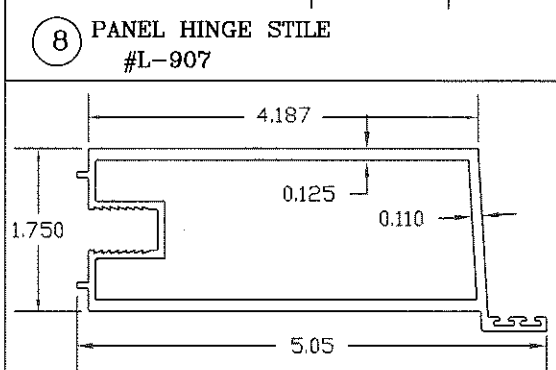
11 QUARTER ROUND FALSE BEAD #FD-612



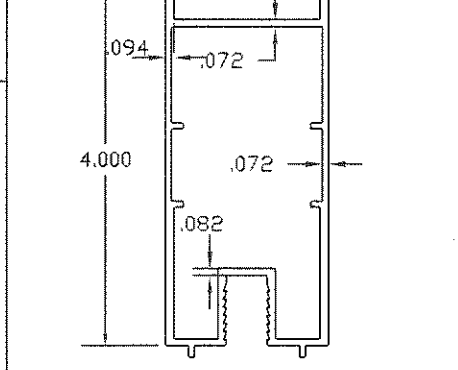
HALF ROUND FALSE MUNTIN (OPTIONAL) #L-913



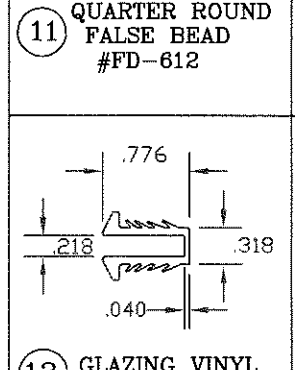
22 FLUSH BOLT ANGLE GUIDE 1 1/2" LONG #FD-625-1



9 PANEL LOCK STILE #L-905



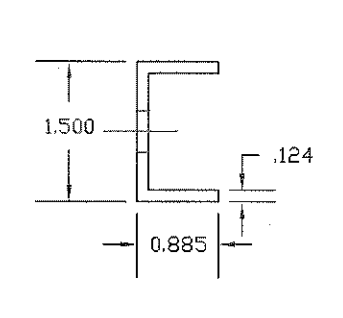
7 PANEL TOP & BOTTOM RAIL #L-906



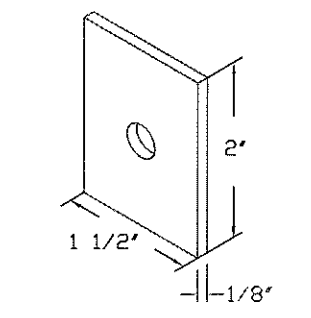
12 GLAZING VINYL #L-1439

Flexible Vinyl (FPVC) Composition - Team Plastics, Inc.		
*1. FPVC Black: Compound No. 7200-75		
PHYSICAL		ASTM NO.
Durometer Hardness "A", 10 sec	75	D-2240
Specific Gravity	1.45	D-792
Tensile Strength, PSI	1640	D-638
Ultimate Elongation, %	340.0	D-638
Modulus @ 100% Elongation, PSI	765.0	D-638
Impact Brittleness	-31.0	D-746
*2. FPVC White: Compound No. 7267-75		
PHYSICAL		ASTM NO.
Durometer Hardness "A", 10 sec	75	D-2240
Specific Gravity	1.45	D-792
Tensile Strength, PSI	1640	D-638
Ultimate Elongation, %	325.0	D-638
Modulus @ 100% Elongation, PSI	765.0	D-638
Impact Brittleness	-30.0	D-746

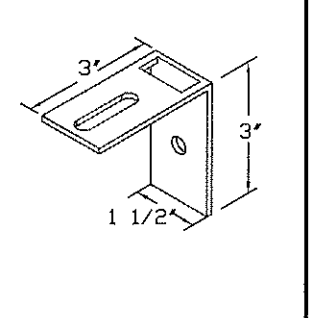
NOTE:  
1. ALL DIMENSIONS SPECIFIED IN INCHES.  
2. SEE ELEVATION AT SHEET 1 OF 8 FOR ANCHOR O.C. MAX. SPACING AND LOCATIONS.



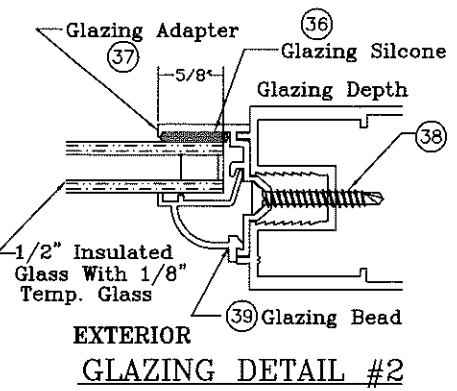
33 SWING PANEL ALUMINUM "U" CLIP 1 15/16" LONG #L-630-1



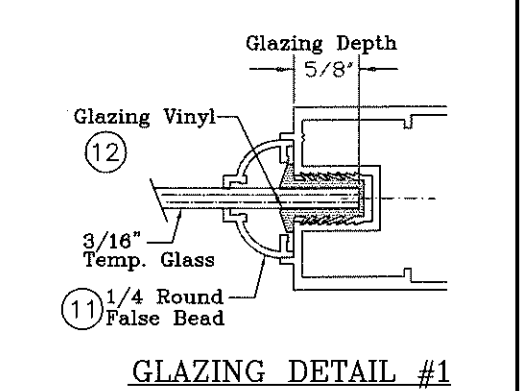
34 SIDELITE PANEL ALUMINUM PLATE 2" LONG #HC-002



23 TWO-POINT LOCK FLUSH BOLT ANGLE GUIDE #FD-627-1



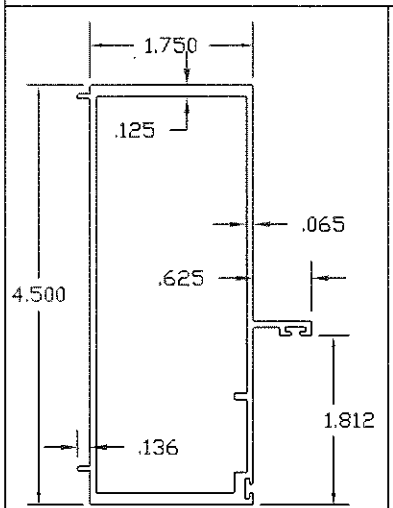
EXTERIOR GLAZING DETAIL #2



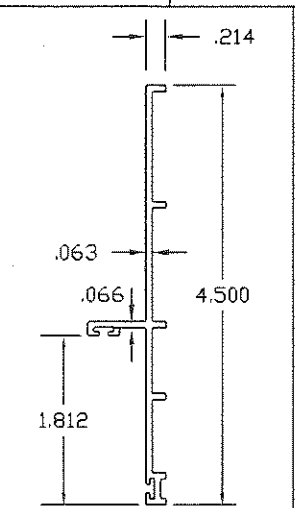
GLAZING DETAIL #1

INSULATED GLASS COMPOSITION		
ITEM	DESCRIPTION	DETAIL
1	1/8" TEMPERED GLASS	
2	1/4" INSULATED AIR SPACE	
3	1/8" TEMPERED GLASS	
4	INSULATED SPACER "TruSeal" - Dura Seal Swiggle Spacer Pt.No. 812-25H-357 Black - 1/4" Air Space	

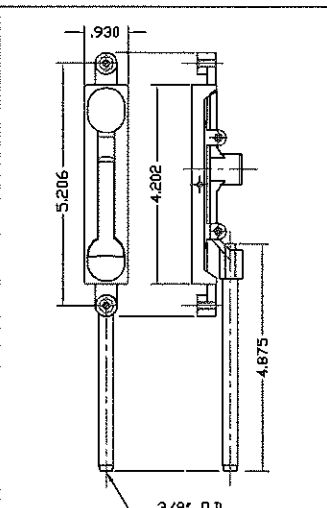
PRODUCT REVISED to comply with the Florida Building Code Acceptance No 17-1212-10 Expiration Date: SEP 13, 2022



5 FRAME JAMB #L-903



6 JAMB ADAPTER #L-904



19 FLUSH BOLT #HC-001

OPTIONAL TWO-POINT LOCK FLUSH BOLT #HC-050

THOMAS J. SOTOS  
PROFESSIONAL ENGINEER  
FLA LIC # 55225  
NOV 21 2017

Revision Notes:	
A)	REVISED TO COMPLY W/ 2004 FBC ADDED 1/2" INSULATED GLASS
B)	REVISED TO COMPLY W/ 2010 FBC
C)	REVISED TO COMPLY W/ 2014 FBC
D)	REVISED TO COMPLY W/ 2017 FBC
Drawn By:	NELSON ERAZO
Date Drawn:	05-05-99
Revised By:	NELSON ERAZO
Date Revised:	11-01-17
Reference:	
Scale:	1/2"

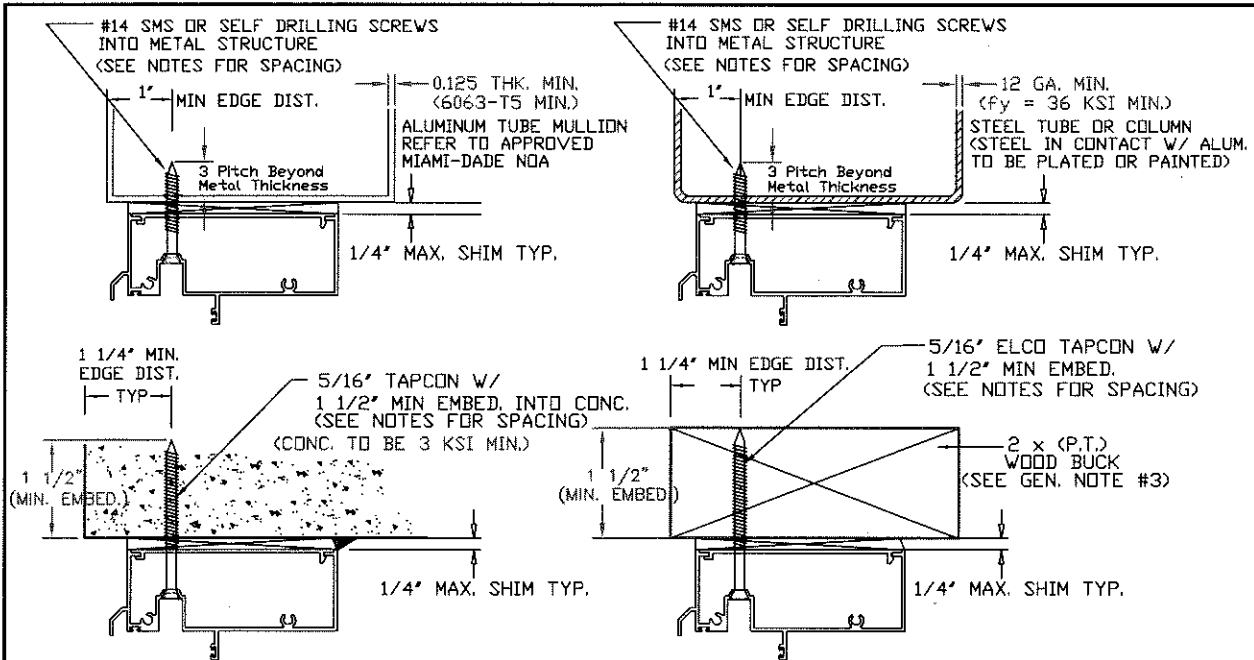
**LAWSON INDUSTRIES, INC.**  
8501 N.W. 90 ST. MEDLEY, FLORIDA 33166 PH No. (305) 696-8660  
MANUFACTURER OF QUALITY ALUMINUM WINDOWS AND GLASS DOORS

Draw Class: LAYOUT	Part Class:	Prod. Category: F.D.	Series/Model: "LaPORTE"	Item: TEST	Sheet: 5 of 6
--------------------	-------------	----------------------	-------------------------	------------	---------------

SERIES-"LaPORTE" OUTSWING FRENCH DOOR - FLUSH FRAME - NON-IMPACT EXTRUSIONS, COMPONENTS, NOTES, & GLAZING DETAILS

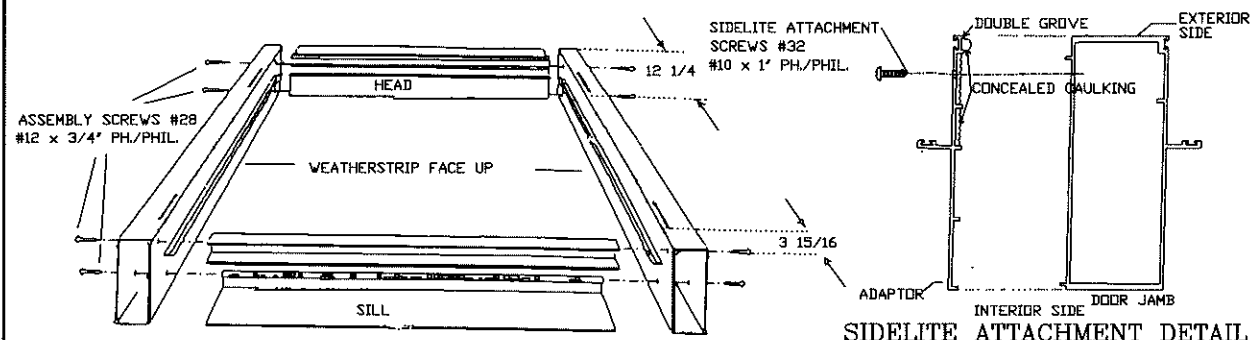
Part Number: ASSEMBLY\TEST UNIT\LaPORTE	Drawing Number: FD-1075.2	Revision Level: C
---	---------------------------	-------------------





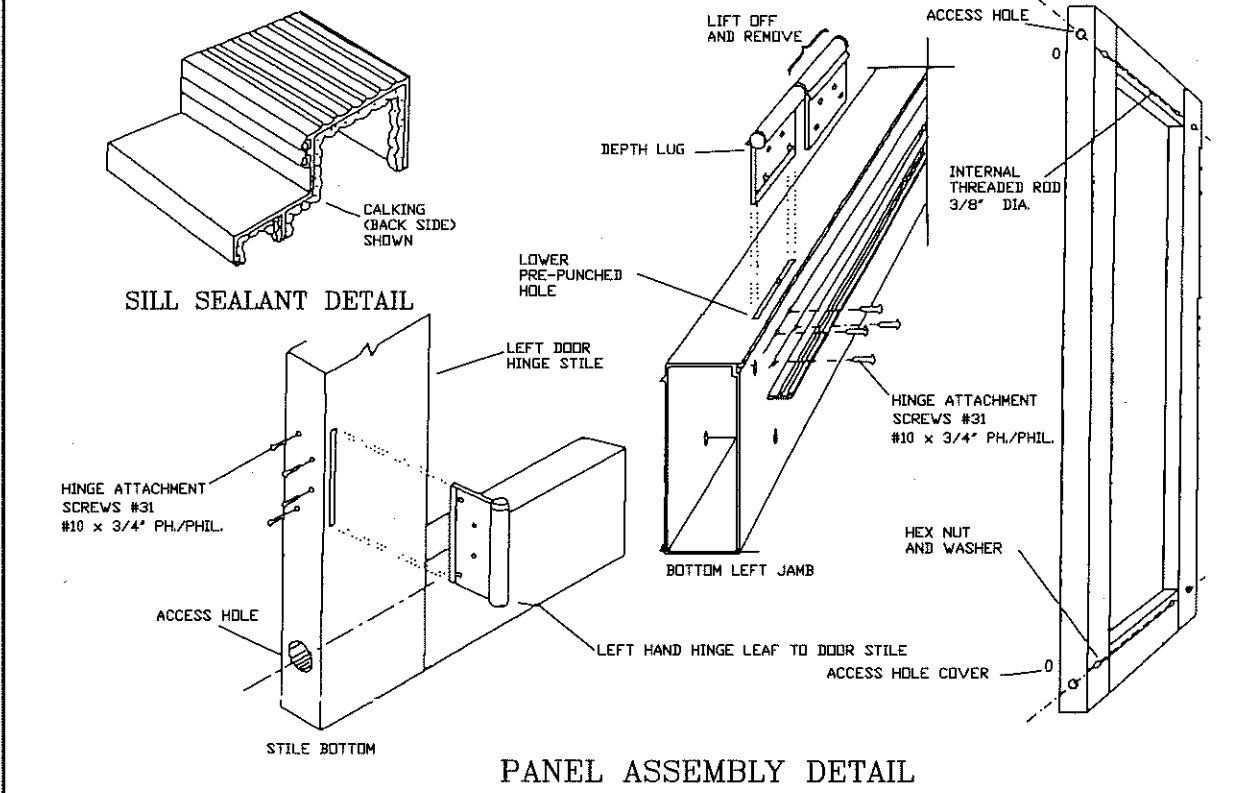
NOTE:  
OPTIONAL INSTALLATION DETAILS MAY APPLY  
TO DOOR FRAME JAMB AND/OR FRAME HEAD.  
(TYP.)

**FRAME INSTALLATION OPTIONAL DETAILS**



**FRAME ASSEMBLY DETAIL**

**SIDELITE ATTACHMENT DETAIL**



**SILL SEALANT DETAIL**

**PANEL ASSEMBLY DETAIL**

**PRODUCT REVISIONS**  
is complying with the Florida  
Building Code  
Acceptance No 17-1212-10  
Expiration Date 08/13/2017  
Thomas J. Sotos  
Professional Engineer

**THOMAS J. SOTOS**  
PROFESSIONAL ENGINEER  
FLA. LIC. # 55225  
No 55225  
STATE OF FLORIDA  
ENGINEER

BILL OF MATERIALS - NON-IMPACT OUTSWING FRENCH DOOR W/ SIDELITES					
ITEM #	DRW'G #	PART #	REQD.	DESCRIPTION	REMARKS
1	L-901	LII-098	1	FRAME HEAD	6063-T6 ALUMINUM
2	L-915	LII-114	AS REQ'D.	FRAME HEAD SHEAR PLATE	6063-T5 ALUMINUM
3	L-916	LII-117	AS REQ'D.	FRAME LOW SILL - 1/2" HI	6063-T5 ALUMINUM
4	L-902	LII-097	1	FRAME SILL	6063-T5 ALUMINUM
5	L-903	LII-090	2	FRAME JAMB / MULLION	6063-T6 ALUMINUM
6	L-904	LII-096	2	SIDELITE JAMB ADAPTER	6063-T6 ALUMINUM
7	L-906	LII-092	2 x panel	PANEL TOP & BOTTOM RAIL	6063-T6 ALUMINUM
8	L-907	LII-091	1 x panel	HINGE STILE / FIXED STILE	6063-T6 ALUMINUM
9	L-905	LII-094	1 x panel	LOCK STILE	6063-T6 ALUMINUM
10	L-909	LII-095	2 x panel	TOP & BOTTOM RAIL ADAPTER	6063-T5 ALUMINUM
11	FD-612		AS REQ'D	1/4 ROUND ALUM. FALSE BEAD	6063-T5 ALUMINUM
12	L-1439	TP-884	AS REQD.	GLAZING VINYL -TEAM PLASTICS, INC.	See Material Composition at Sheet 5
13	FD-624-2	L-908	2 x panel	HINGE LEAF ASSEMBLY	6063-T5 ALUMINUM
14	VVS-001	TP 3286	AS REQ'D.	Bulb Vinyl Wts'p.-Team Plastics, Inc.	See Material Composition at Sheet 5
15	PWS-001	*	AS REQD.	WTS'P. @ TOP/BOTT. RAILS	Schlegel FS - .187" w. X .210" h.
16	PWS-002	*	AS REQD.	WTS'P. @ FRAME HEAD & JAMB	Schlegel PB - .187" w. X .330" h.
17	L-910	LII-089	2 x panel	STRIKER MOUNTING PLATE	6063-T5 ALUMINUM
18	FD-619	FD-619-1	2 x panel	STRIKER PLATE	6063-T5 ALUMINUM
19	HC-001	SF-5502	2	FLUSH BOLT	(@ TOP/BOTT. OF INACTIVE STILE)
20		HC-050	1	TWO-POINT BOLT LOCK	OPTIONAL or FLUSH BOLT (item #19)
21	FD-621-2	HC-024/025	1 SET	DOOR LOCK / DEAD BOLT SET	KWIKSET, SCHLAGE, DEFIANT
22	*	FD-625-1	2/Panel	FLUSH BOLT GUIDE ALUM. ANGLE	1.5"x 1.5"x 1.375"x 1/8" ANGLE - 6063-T5
23	*	FD-627-1	2/Panel	TWO-POINT BOLT GUIDE ALUM. ANGLE	3"x 3"x 1 1/2"x 1/8" ANGLE - 6063-T5
24	*	HC-006	6/Jamb	1/2" Dia. Hole Plug - Nylon 6-6	Microplastics #62PP050BG14 - Rockwell M-79
25	*	HC-007	2/Panel	7/8" Dia. Hole Plug - Nylon 6-6	Microplastics #62PP087BG11 - Rockwell M-79
26	*	HC-010	1/BOLT	FLUSH BOLT SILL PLUG - Nylon 6-6	SUNCOPLASTICS Inc. - Rockwell M-79
27	*	*	AS REQ'D.	FRAME INSTALLATION SCREWS	(SEE NOTES AT SHEET 2 OF 6)
28	*	FS-026	8	FRAME ASSEMBLY SCREW	#12 X 3/4" PH.-PHI.
29	*	FS-012	AS REQ'D.	JAMB ADAPTER SCREW	#10 X 3/4" P.H.-PHI.
30	*	HC-004	2/Panel	Panel Ass'y Full Length Rod	3/8" Dia.-20D Rod, Plate, Flange Nut
31	*	FS-011	8	HINGE ATTACHMENT SCREW	#10 X 3/4" P.H. / PHI.
32	*	FS-044	12	SIDELITE ATTACHMENT SCREW	#10 X 1" PH/PHIL. - (17" OC Max.)
33	L-630-1	FD-931-2	4 X Panel	SWING PANEL ASS'Y 'U' CLIP	6063-T5 ALUMINUM
34	*	HC-002	4 X Panel	SIDELITE PANEL ASS'Y PLATE	6063 T5 ALUMINUM
35	*	*	AS REQ'D.	TEMPERED GLASS	SEE GLAZING DETAILS AT SHEET 6
36	*	*	AS REQ'D.	Glazing Silicone	SM-5731 & DC-899
37	L-914	*	AS REQD.	GLAZING ADAPTER	6063-T6 ALUMINUM
38	*	FS-043		ADAPTER ATTACHMENT SCREW	#8 X 1 1/4" SDS F.H. / PHI.
39	L-912	FD-612	AS REQ'D	1/4 ROUND ALUM. FALSE BEAD	6063-T5 ALUMINUM
40	*	SM-5504	AS REQ'D.	Joint Sealant	*
41	*	*	AS REQ'D.	FRAME PERIMETER CAULKING	EXTERIOR GRADE

**Revision Notes:**  
A) REVISED TO COMPLY W/ 2004 FBC  
ADDED 1/2" INSULATED GLASS  
B) REVISED TO COMPLY W/ 2010 FBC  
C) REVISED TO COMPLY W/ 2014 FBC  
D) REVISED TO COMPLY W/ 2017 FBC

Drawn By: NELSON ERAZO  
Date Drawn: 05-05-09

Revised By: NELSON ERAZO  
Date Revised: 11-01-17

Reference: Scale: 1/2"

**LAWSON INDUSTRIES, INC.**  
8501 N.W. 90 ST.  
MEDLEY, FLORIDA 33166  
PH No. (305) 696-8660

MANUFACTURER OF QUALITY ALUMINUM WINDOWS AND GLASS DOORS

Draw Class: LAYOUT	Part Class:	Prod Category: F.D.	Series/Model: "LaPORTE"	Item:	Sheet: 6 of 6
--------------------	-------------	---------------------	-------------------------	-------	---------------

SERIES-"LaPORTE" OUTSWING FRENCH DOOR - FLUSH FRAME - NON-IMPACT  
FRAME ASSEMBLY DETAILS, BILL OF MATERIALS, & OPTIONAL DETAILS

Part Number: ASSEMBLY\TEST UNIT\LaPORTE	Drawing Number: FD-1075.2	Revision Level: C
---	---------------------------	-------------------