



DEPARTMENT OF REGULATORY AND ECONOMIC RESOURCES (RER)
 BOARD AND CODE ADMINISTRATION DIVISION
NOTICE OF ACCEPTANCE (NOA)

MIAMI-DADE COUNTY, FLORIDA
 PRODUCT CONTROL SECTION
 11805 SW 26 Street, Room 208
 T (786) 315-2590 F (786) 315-2599
www.miamidade.gov/economy

Lawson Industries, Inc.
 8501 NW 90th Street
 Medley, FL 33166

SCOPE:

This NOA is being issued under the applicable rules and regulations governing the use of construction materials. The documentation submitted has been reviewed and accepted by Miami-Dade County RER-Product Control Section to be used in Miami-Dade County and other areas where allowed by the Authority Having Jurisdiction (AHJ).

This NOA shall not be valid after the expiration date stated below. The Miami-Dade County Product Control Section (In Miami-Dade County) and/ or the AHJ (in areas other than Miami-Dade County) reserve the right to have this product or material tested for quality assurance purposes. If this product or material fails to perform in the accepted manner, the manufacturer will incur the expense of such testing and the AHJ may immediately revoke, modify, or suspend the use of such product or material within their jurisdiction. RER reserves the right to revoke this acceptance, if it is determined by Miami-Dade County Product Control Section that this product or material fails to meet the requirements of the applicable building code.

This product is approved as described herein, and has been designed to comply with the Florida Building Code, including the High Velocity Hurricane Zone.

DESCRIPTION: Series "La Porte" 8'-0" Outswing Glazed Aluminum French Doors – L.M.I.

APPROVAL DOCUMENT: Drawing No. **FD-2003 Rev G**, titled "La Porte-Impact French Out-Swing Door", sheets 01 through 06 of 06, prepared by the manufacturer, dated 12/12/02 and last revised on Nov 21, 2017, signed and sealed by Thomas J. Sotos, P. E., bearing the Miami-Dade County Product Control Section Revision stamp with the Notice of Acceptance number and Expiration date by the Miami-Dade County Product Control Section.

MISSILE IMPACT RATING: Large and Small Missile Impact Resistant

Limitations:

1. See Design Pressure (DP) charts VS door sizes and glazing in sheet **2**. See lock option VS DP in sheet **3**.
2. See glazing details in sheet **5**. For the glazing detail #2 (The 1/8 temp lite is oriented at exterior side in insulated laminated glass make-up).
3. Applicable door egress requirement to be reviewed by Building official

LABELING: Each unit shall bear a permanent label with the manufacturer's name or logo, city, state, series, and following statement: "Miami-Dade County Product Control Approved", unless otherwise noted herein.

RENEWAL of this NOA shall be considered after a renewal application has been filed and there has been no change in the applicable building code negatively affecting the performance of this product.

TERMINATION of this NOA will occur after the expiration date or if there has been a revision or change in the materials, use, and/ or manufacture of the product or process. Misuse of this NOA as an endorsement of any product, for sales, advertising or any other purposes shall automatically terminate this NOA. Failure to comply with any section of this NOA shall be cause for termination and removal of NOA.

ADVERTISEMENT: The NOA number preceded by the words Miami-Dade County, Florida, and followed by the expiration date may be displayed in advertising literature. If any portion of the NOA is displayed, then it shall be done in its entirety.

INSPECTION: A copy of this entire NOA shall be provided to the user by the manufacturer or its distributors and shall be available for inspection at the job site at the request of the Building Official.

This NOA **revises NOA #14-0908.07** and consists of this page 1 and evidence pages E-1, E-2, E-3 and E-4, as well as approval document mentioned above.

The submitted documentation was reviewed by **Ishaq I. Chanda, P. E.**



NOA No. 17-1212.09
 Expiration Date: June 05, 2018
 Approval Date: February 01, 2018
 Page 1

1/22/18

NOTICE OF ACCEPTANCE: EVIDENCE SUBMITTED

1. Evidence submitted in previous files

A. DRAWINGS

1. Manufacturer's die drawings and sections.
(Submitted under previous NOA No. 11-0202.03)
2. Drawing No. FD-2003, titled "La Porte-Impact French Out-Swing Door", sheets 01 through 06 of 06, prepared by the manufacturer, dated 12/12/02 with the latest revision "G", dated 04/15/15, signed and sealed by Thomas J. Sotos, P. E.

B. TESTS

1. Test reports on:
 - 1) Large Missile Impact Test per FBC, TAS 201-94
 - 2) Cyclic Wind Pressure Loading per FBC, TAS 203-94along with marked-up drawings and installation diagram of aluminum Outswing French door, prepared by Hurricane Engineering & Testing, Inc., Test Reports No. HETI-11-3201, issued on 01/06/2011, signed and sealed by Candido F. Font, P. E.
(Submitted under NOA No. 11-0202.03)
2. Test reports on:
 - 1) Uniform Static Air Pressure Test, per FBC, TAS 202-94
 - 2) Large Missile Impact Test per FBC, TAS 201-94
 - 3) Cyclic Wind Pressure Loading per FBC, TAS 203-94along with marked-up drawings and installation diagram of aluminum Outswing French door, prepared by Hurricane Engineering & Testing, Inc., Test Reports No. HETI-09-2623, HETI-09-2645, HETI-09-2624 and HETI-09-2646, issued on 10/22/2009, signed and sealed by Candido F. Font, P. E.
(Submitted under NOA No.10-0128.04)
3. Test reports on:
 - 1) Air Infiltration Test, per FBC, TAS 202-94
 - 2) Uniform Static Air Pressure Test, per FBC, TAS 202-94
 - 3) Water Resistance Test, per FBC, TAS 202-94
 - 4) Forced Entry Test, per FBC 2411 3.2.1 and TAS 202-94along with marked-up drawings and installation diagram of aluminum Outswing French door, prepared by Hurricane Engineering & Testing, Inc., Test Reports No.'s HETI-04-1897, HETI-04-1896 A, HETI-04-1896 B and HETI-04-1377, issued on 03/08/04 and 03/12/04, all signed and sealed by Rafael E. Droz-Seda, P. E.
(Submitted under NOA No. 04-0607.04)
4. Test reports on:
 - 1) Tensile Test, per FBC, ASTM E-8along with marked-up drawings and installation diagram of aluminum Outswing French door, prepared by Hurricane Engineering & Testing, Inc., Test Reports No. HETI-02-T095 and HETI-02-T090, issued on 01/13/03, both signed and sealed by Rafael E. Droz-Seda, P. E.
(Submitted under NOA No. 03-0219.01)



Ishaq I. Chanda, P. E.
Product Control Examiner
NOA No. 17-1212.09
Expiration Date: June 05, 2018
Approval Date: February 01, 2018

NOTICE OF ACCEPTANCE: EVIDENCE SUBMITTED

B. TESTS (CONTINUED)

5. Test reports on:
- 1) Air Infiltration Test, per FBC, TAS 202-94
 - 2) Uniform Static Air Pressure Test, Loading per FBC TAS 202-94
 - 3) Water Resistance Test, per FBC, TAS 202-94
 - 4) Large Missile Impact Test per FBC, TAS 201-94
 - 5) Cyclic Wind Pressure Loading per FBC, TAS 203-94
 - 6) Forced Entry Test, per FBC 2411 3.2.1, TAS 202-94

along with marked-up drawings and installation diagram of aluminum Outswing French door, prepared by Hurricane Engineering & Testing, Inc., Test Reports No.'s **HETI-02-1253, HETI-02-1726, HETI-02-1728, HETI-02-1736, HETI-02-1742, HETI-02-1763** and **HETI-02-1765**, issued on 01/14/2003, all signed and sealed by Rafael E. Droz-Seda, P. E.

(Submitted under NOA No. 03-0219.01)

C. CALCULATIONS

1. Anchor verification calculations and structural analysis, complying with FBC, prepared by the manufacturer, dated 12/12/02 with the latest revised dated 07/02/10, signed and sealed by Thomas J. Sotos, P. E.
(Submitted under NOA No.10-0128.04)
2. **Glazing complies with ASTM E1300-98/ 04**

D. QUALITY ASSURANCE

1. Miami-Dade Department of Regulatory and Economic Resources (RER).

E. MATERIAL CERTIFICATIONS

1. Notice of Acceptance No. **14-0916.10** issued to **Kuraray America, Inc.** for their "**Kuraray PVB Glass Interlayer**", expiring on 12/11/16.
2. Notice of Acceptance No. **14-0916.11** issued to **Kuraray America, Inc.** for their "**Kuraray SentryGlas® Interlayer**", expiring on 01/14/17.
3. Notice of Acceptance No. **14-0423.15** issued to **Eastman Chemical Company (MA)** for their "**Saflex CP – Saflex and Saflex HP Composite Glass Interlayers with PET Core**" dated 06/19/14, expiring on 12/11/18.

F. STATEMENTS

1. Statement letter of conformance to, no financial interest and compliance with the **FBC 5th Edition (2014)**, dated 09/02/14, signed and sealed by Thomas J. Sotos, P. E.
2. Statement letter of conformance, no financial interest and compliance with the **FBC-2010** and AAMA 101/ I.S.2-97, dated 01/25/12, signed and sealed by Thomas J. Sotos, P. E.
(Submitted under previous NOA No. 12-0127.23)

Ishaq I. Chanda

Ishaq I. Chanda, P. E.
Product Control Examiner
NOA No. 17-1212.09
Expiration Date: June 05, 2018
Approval Date: February 01, 2018

NOTICE OF ACCEPTANCE: EVIDENCE SUBMITTED

F. STATEMENTS (CONTINUED)

2. Proposal issued by Product Control, dated 07/27/10, signed by Ishaq Chanda, P. E.
(Submitted under NOA No. 11-0202.03)
3. Laboratory compliance letter for Test Report No. **HETI-11-3201**, issued by Hurricane Engineering & Testing, Inc., dated 01/06/11, signed and sealed by Candido F. Font, P. E.
(Submitted under NOA No. 11-0202.03)
4. Proposal issued by Product Control, dated 03/26/09, signed by Renzo Narciso.
(Submitted under NOA No.10-0128.04)
5. Laboratory compliance letters for Test Reports No.'s **HETI-09-2623**, **HETI-09-2645**, **HETI-09-2624** and **HETI-09-2646**, issued by Hurricane Engineering & Testing, Inc., dated 10/22/09, signed and sealed by Candido F. Font, P. E.
(Submitted under NOA No.10-0128.04)
6. Laboratory compliance letter for Test Reports No.'s **HETI-04-1897**, **HETI-04-1896A**, **HETI-04-1896B**, **HETI-04-1377**, **HETI-02-T095**, **HETI-02-T090**, **HETI-02-1253**, **HETI-02-1726**, **HETI-02-1728**, **HETI-02-1736**, **HETI-02-1742**, **HETI-02-1763** and **HETI-02-1765**, issued by Hurricane Engineering & Testing, Inc., dated 01/14/03 and 03/08/04, all signed and sealed by Rafael E. Droz-Seda, P. E.
(Submitted under previous NOA No. 05-1116.06)

G. OTHERS

1. Notice of Acceptance No. **13-0328.11**, issued to Lawson Industries, Inc. for their Series "La Porte 8'-0" Outswing Aluminum French Doors - L.M.I.", approved on 06/06/13 and expiring on 06/05/18.

1. New Evidence submitted.

A. DRAWINGS

1. Drawing No. **FD-2003 Rev G**, titled "La Porte-Impact French Out-Swing Door", sheets 01 through 06 of 06, prepared by the manufacturer, dated 12/12/02 and last revised on Nov 21, 2017, signed and sealed by Thomas J. Sotos, P. E.

Note: This revision consist of editorial changes of FBC 17 (6th Edition) code compliance and update of glazing interlayer.

B. Test


1. None.

C. CALCULATIONS

1. None

D. QUALITY ASSURANCE

1. Miami Dade Department of Regulatory and Economic Resources (RER).


Ishaq I. Chanda, P. E.
Product Control Examiner
NOA No. 17-1212.09
Expiration Date: June 05, 2018
Approval Date: February 01, 2018

Lawson Industries, Inc.

NOTICE OF ACCEPTANCE: EVIDENCE SUBMITTED

E. MATERIAL CERTIFICATIONS

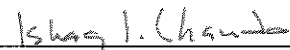
1. Notice of Acceptance No. **14-0916.11** issued to Kuraray America, Inc.(Former E.I. DuPont DeNemours) for the “**Sentry Glass ® clear & white interlayer**”, expiring on 07/04/18.
2. Notice of Acceptance No. **16-1117.01** issued to Kuraray America., Inc. for their “**Trosifol ® Ultraclear, Clear and Color PVB Glass Interlayers**”, expiring on 07/08/19.

F. STATEMENTS

1. Statement letter of conformance to FBC 2017 (6th Edition) and “No financial interest” dated 11/17/17, prepared by the manufacturer, signed and sealed by Thomas J. Sotos, P.E.

G. OTHER

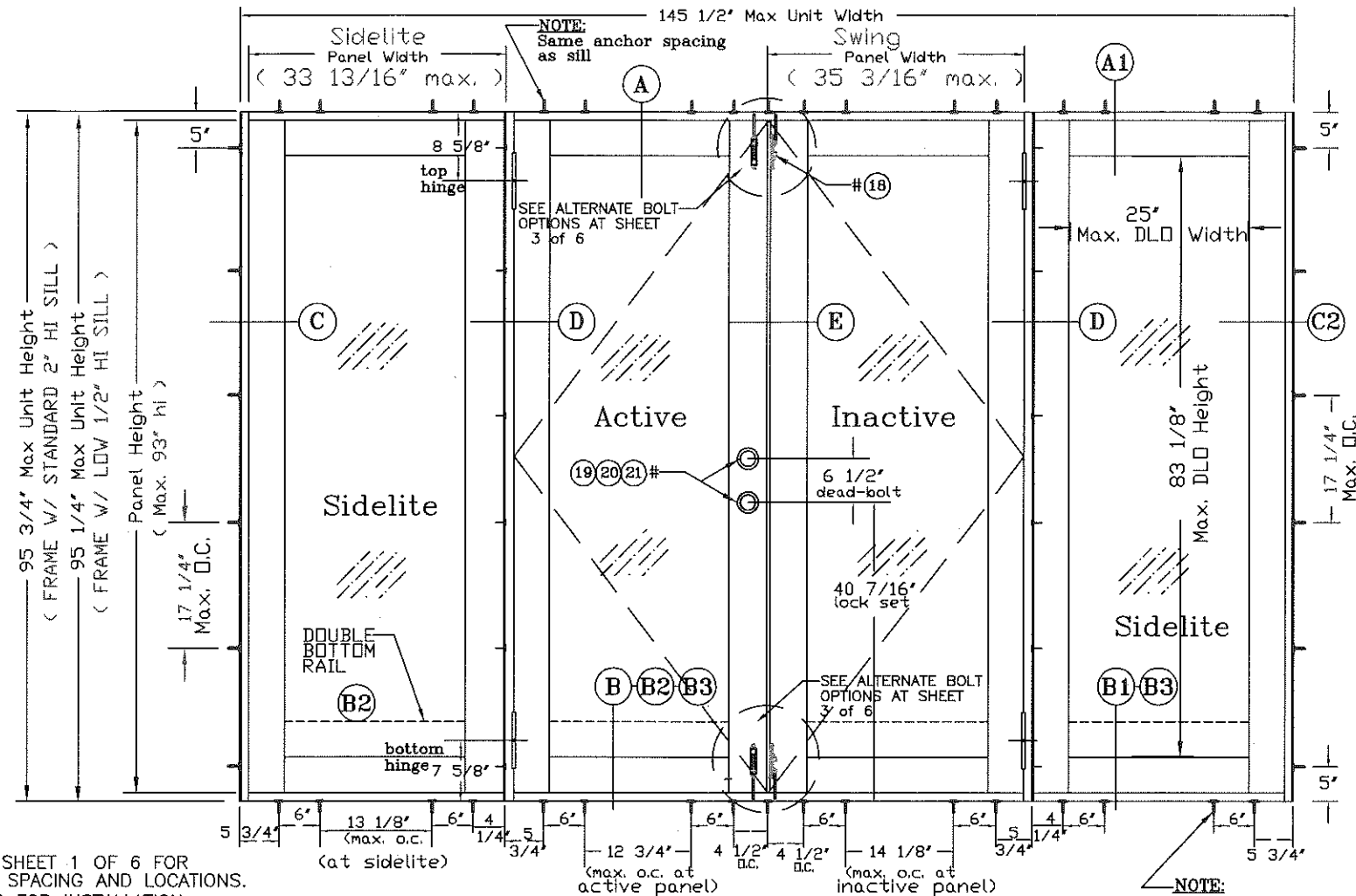
1. This NOA revises # **14-0908.07**, expiring 06/05/18.



Ishaq I. Chanda, P. E.
Product Control Examiner
NOA No. 17-1212.09
Expiration Date: June 05, 2018
Approval Date: February 01, 2018

IMPACT FRENCH OUT-SWING DOOR BILL OF MATERIALS

ITEM #	DRW'G #	PART #	REQD.	DESCRIPTION	REMARKS
1	L-901	LII-098	1	FRAME HEAD	6063-T6 ALUMINUM
2	L-902	LII-097	1	FRAME SILL	6063-T6 ALUMINUM
3	L-903	LII-090	2	FRAME JAMB	6063-T6 ALUMINUM
4	L-904	LII-096	2	SIDELITE JAMB ADAPTER	6063-T5 ALUMINUM
5	L-906	LII-092	2 x panel	PANEL TOP & BOTTOM RAIL	6063-T6 ALUMINUM
6	L-907	LII-091	1 x panel	HINGE STILE	6063-T6 ALUMINUM
7	L-905	LII-094	1 x panel	LOCK STILE	6063-T6 ALUMINUM
8	L-909	LII-095	2 x panel	TOP & BOTTOM RAIL ADAPTER	6063-T5 ALUMINUM
9	L-911	LII-085	AS REQ'D.	1/4 ROUND ALUM. BEAD - 7/16"	6063-T5 ALUMINUM
10	L-912	LII-087	AS REQ'D.	1/4 ROUND ALUM. BEAD - 3/8"	6063-T5 ALUMINUM
11	FD-624-2	L-908	2 x panel	HINGE LEAF ASSEMBLY	6063-T5 ALUMINUM
12	VWS-001	TP 3286	AS REQ'D.	Bulb Vinyl Wts'p.-Team Plastics, Inc.	See Material Composition at Sheet 6
13	PWS-001	*	AS REQ'D.	WTS'P. @ TOP/BOTT. RAILS	Schlegel FS - .187"w. X .210"h.
14	PWS-002	*	AS REQ'D.	WTS'P. @ FRAME HEAD & JAMB	Schlegel PB - .187"w. X .330"h.
15	L-910	LII-089	2 x panel	STRIKER MOUNTING PLATE	6063-T5 ALUMINUM
16	FD-619	FD-619-1	2 x panel	STRIKER PLATE	6063-T5 ALUMINUM
17	FD-631	LII-086	AS REQ'D.	GLAZING ADAPTER	6063-T6 ALUMINUM
18	HC-001	SF-5502	2 x Panel	DELTA FLUSH BOLT	(@ TOP & BOTTOM OF LOCK STILE)
19	FD-621-2	HC-024/025	1 SET	DOOR LOCK / DEAD BOLT SET	KWIKSET - Series 690T COMBO
20	FD-621-2	HC-024/025	1 SET	DOOR LOCK / DEAD BOLT SET	SCHLAGE - Series FB350 COMBO
21	FD-621-2	HC-024/025	1 SET	DOOR LOCK / DEAD BOLT SET	DEFIANT - Series 831 COMBO
22	*	FS-035	AS REQ'D.	Frame Install. Screw - Head	(See Notes at sheet 4 of 6)
23	*	FS-035	AS REQ'D.	Frame Install. Screw- Jamb/Sill	(See Notes at sheet 4 of 6)
24	*	FS-026	8	FRAME ASSEMBLY SCREW	#12 X 3/4" PH.-PHI.
25	*	FS-012	AS REQ'D.	JAMB ADAPTER SCREW	#10 X 3/4" P.H.-PHI.
26	FD-634	LII-171	AS REQ'D.	1/4 ROUND ALUM. BEAD - 11/16"	6063-T5 ALUMINUM
27	*	FS-043	8	GLAZING ADAPT. ATTACH. SCREW	#8 X 1 1/4" FH.-PHI.
28	*	FS-049	2/Panel	Double Rail Assembly Screw	3/8"x2 1/4" Hex Screw & Nut
29	*	*	AS REQ'D.	NEUTRAL CURE SILICONE	Schnee-Morehead SM-5731
30	*	*	AS REQ'D.	NEUTRAL CURE SILICONE	Dow Corning 899
31	*	*	AS REQ'D.	NEUTRAL CURE SILICONE	Tremco S-500
32	*	*	AS REQ'D.	Laminated Glass see Pg. 5	Dupont - Sentry Glass Plus
33	*	*	AS REQ'D.	Laminated Glass see Pg. 5	Dupont - PVB
34	*	*	AS REQ'D.	Laminated Glass see Pg. 5	Saflex - PVB
35	*	HC-002	2/Panel	PANEL ASS'Y ALUM. PLATE	1 1/2"x 2"x 1/8" (6063-T5 ALUM.)
36	*	HC-004	2/Panel	Panel Ass'y Full Length Rod	3/8" Dia.-20D Rod, Plate, Flange Nut
37	*	FS-011	8	HINGE ATTACHMENT SCREW	#10 X 3/4" P.H. / PHI.
38	*	FS-044	12	SIDELITE ATTACHMENT SCREW	#10 X 1" PH/PHIL. - (17" DC Max.)
39	HC-006	62PP050BG14	6/Jamb	1/2" Dia. Hole Plug - Nylon 6-6	MICROPLASTICS - Rockwell M-79
40	HC-007	62PP087BG11	2/Panel	7/8" Dia. Hole Plug - Nylon 6-6	MICROPLASTICS - Rockwell M-79
41	*	HC-010	1/BOLT	FLUSH BOLT Sill Plug - Nylon 6-6	SUNCOPLASTICS Inc. Rockwell M-79
42	L-913	LII-086	AS REQ'D.	1/2 ROUND FALSE ALUM. MUNTIN	6063-T5 ALUMINUM
43	*	*	AS REQ'D.	INT FALSE APPLIED MUNTIN	1.25" X .022" STOCK ALUMINUM
44	L-915	FD-623	AS REQ'D.	FRAME HEAD SHEAR PLATE	6063-T5 ALUMINUM - 4' long
45	L-916	LII-117	AS REQ'D.	FRAME LOW SILL - OPTIONAL	6063-T5 ALUMINUM
46	FD-635	HC-050	1	TWO-POINT FLUSHBOLT LOCK	OPTIONAL (FDR +/- 76.0 psf DP)
47	FD-626	FD-626-1	2/Panel	FLUSH BOLT GUIDE ALUM. ANGLE	1 1/2"x 1 1/2"x 1/8" Alum. 6063-T5
48	FD-627	FD-627-1	2/Panel	2-Point Lock Bolt Guide ANGLE	3"x 3"x 1 1/2"x 1/8" Alum. 6063-T5
49	*	*	AS REQ'D.	Joint Sealant- White Colored	"Purvis Co." Super Seal
50	FD-638	HC-	1 SET	LOCK ACTIVE HANDLE & TRIMSET	ASHLAND #W5201A-A
51	FD-637	HC-	1 SET	MULTI-POINT LOCK ACTIVE	ASHLAND #W5110-STACT5
52	FD-640	HC-	1 SET	LOCK PASSIVE HANDLE & TRIMSET	ASHLAND #W5201A-P
53	FD-639	HC-	1 SET	MULTI-POINT LOCK PASSIVE	ASHLAND #W5110-STPAS4
54	FD-641	HC-	2 x panel	Multi-Point Lock Bolt Guide	NYLON 6-6 Rockwell M scale 79
55	*	FS-	4/Guide	Bolt Guide Attachment Fastener	#6 x 1/2" P.H./PHIL.
56	FD-642	HC-	1 x Lock	Lock Top Mount Adapter	NYLON ADAPTER
57	FD-643	HC-	1 x Lock	Lock Bottom Mount Adapter	NYLON ADAPTER



ANCHOR NOTES:

- SEE ELEVATION AT SHEET 1 OF 6 FOR ANCHOR O.C. MAX. SPACING AND LOCATIONS.
- SEE SHEET 4 OF 6 FOR INSTALLATION FASTENERS TYPES.
- SAME ANCHOR SPACING @ FRAME HEAD & SILL.

NOTES:

- QUALIFIES SINGLE & MULTIPLE PANELS (SEE ELEVATIONS).
- QUALIFIES UNITS WITH AND WITHOUT SIDELITES
- MAX. FRAME SIZE 145 1/2"w. X 95 3/4"h. OXO
- EXT & INT FALSE COLONIAL MUNTIN APPLIED W/SILICONE.
- QUALIFIES SINGLE OR DOUBLE BOTTOM RAILS
- MAX. DAYLITE OPENING WIDTH = 25"
- MAX. DAYLITE OPENING HEIGHT = 83 1/8"
- SEE ELEVATION AT SHEET 1 OF 6 FOR MAX. ANCHOR SPACING
- ALL DIMENSIONS SPECIFIED ARE IN INCHES
- NO HURRICANE SHUTTERS ARE REQUIRED

NOTES:

- THIS PRODUCT IS DESIGNED AS PER FLORIDA BUILDING CODE (2014-5th EDITION & 2017 - 6th EDITION).
- GLASS MEETS REQUIREMENTS OF ASTM-E1300 AS PER CHAPTER 24 OF FBC CODE.
- 1X OR 2X WOOD BUCKS BY OTHERS, MUST BE ANCHORED PROPERLY TO TRANSFER LOAD TO THE STRUCTURE & TO BE REVIEWED BY BUILDING OFFICIAL.
- ANCHORS SHALL BE AS LISTED, AND SPACED AS NOTED ABOVE AND ON DRAWING DETAILS. ANCHOR EMBEDMENT TO BASE MATERIAL SHALL BE BEYOND WALL DRESSING OR STUCCO.
- SEE NOTES @ SHEET 4 OF 6 FOR INTALLATION FASTENERS TYPE.
- ANCHORING OR LOADING CONDITIONS NOT SHOWN IN THESE DETAILS ARE NOT PART OF THIS APPROVAL

LIMITATIONS:

- MAX. DP = ±86 PSF W/ (4) Surface Bolts & Glass Types A, B, C & D. (SEE LOCATION DETAILS @ SHEET 3 OF 6)
- MAX. DP = ±76 PSF W/ 2-Point Lock (active)+ (2) Surface Bolts at Inactive
- MAX. DP = ±76 PSF W/ Flat Sill & must be used where water infiltration is not required or opening is protected by overhang ratio greater than one.
- MAX. DP = ±86 PSF W/ Multi-Point Lock (1-active)+(1-passive) at Inactive

PRODUCT REVISED
 as complying with the Florida
 Building Code
 Acceptance No. 17-1212-09
 Expiration Date JUN 05, 2018
 Thomas J. Sotos
 Member Board Product Control

THOMAS J. SOTOS
 PROFESSIONAL ENGINEER
 FL LIC. # 55225

Revision Notes:	
Revised to comply w/ FBC2007 & added insulated Glass 01/22/10	
Ashland Multi-Point Lock 01/27/11	
Revised to comply w/ 2010 FBC	
Revised to comply w/ 2014 FBC	
Revised to comply w/ 2017 FBC	
Revised By:	Nelson Erazo
Date Checked:	11/01/17
Drawn By:	Nelson Erazo
Date Drawn:	01/20/12
Scale:	n.t.s.

LAWSON INDUSTRIES, INC.

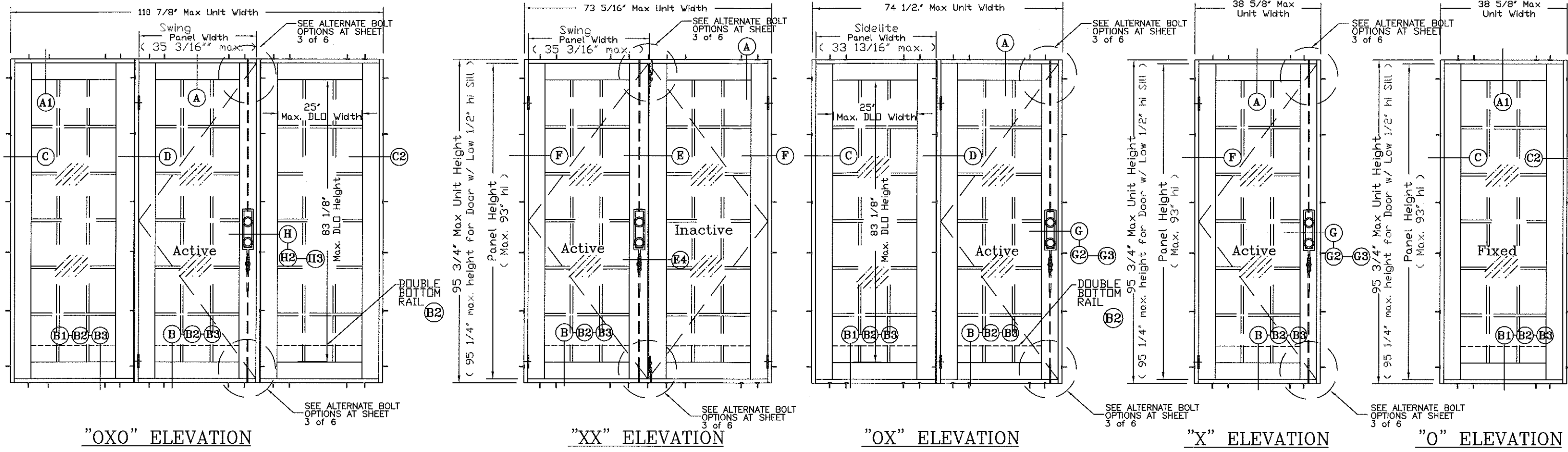
8501 NW 90th St.
 MEDLEY, FLORIDA 33166
 (305) 696-8660

MANUFACTURER OF QUALITY ALUMINUM WINDOWS AND GLASS DOORS

Draw Class:	Part Class:	Prod Category:	Series/Model:	Item:	Sheet:
NOA APPROVAL		IMPACT	FRENCH DOOR		1 OF 6

"La Porte" Impact" French Out-Swing Door

Reference Number:	Drawing Number:	Revision Level:
	FD-2003	G



APPROVED CONFIGURATIONS

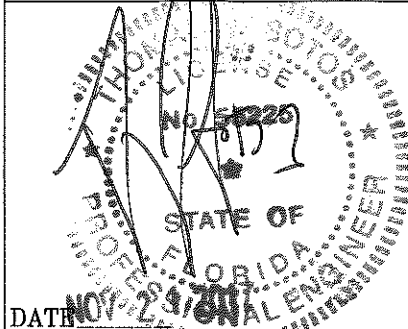
- NOTES:**
1. ALL ELEVATIONS ARE A GRAPHICAL REPRESENTATION VIEWED FROM THE EXTERIOR SIDE.
 2. FALSE COLONIAL MUNTINS ARE APPLIED W/ SILICONE AND ARE AVAILABLE AS OPTIONAL.
 3. PANELS ARE AVAILABLE WITH SINGLE BOTTOM RAIL OR DOUBLE BOTTOM RAILS.
 4. OUT-SWING DOOR WITHOUT INSECT SCREEN.

"LaPorte" IMPACT FRENCH OUTSWING DOOR - DESIGN LOAD CHART

PANEL WIDTH/HEIGHT ACTUAL SIZE (INCHES)	NUMBER OF ANCHORS /JAMB	DP GLASS TYPE "A" & "E" +/- (PSF)	DP (PSF)			
			PANEL WIDTH ACTUAL SIZE (INCHES)	GLASS TYPE "B" +/- (PSF)	GLASS TYPE "C" +/- (PSF)	GLASS TYPE "D" +/- (PSF)
10 1/4'	77'	+86.0	11 3/16'	+76.0	+76.0	+76.0
16 1/4'			17 3/16'	+76.0	+76.0	+76.0
22 1/4'			23 3/16'	+76.0	+76.0	+76.0
28 1/4'			29 3/16'	+76.0	+76.0	+76.0
30 1/4'			31 3/16'	+76.0	+76.0	+76.0
34 1/4'	5	+86.0	35 3/16'	+76.0	+76.0	+76.0
10 1/4'	93'	+86.0	11 3/16'	+76.0	+76.0	+76.0
16 1/4'			17 3/16'	+76.0	+76.0	+76.0
22 1/4'			23 3/16'	+76.0	+76.0	+76.0
28 1/4'			29 3/16'	+76.0	+76.0	+76.0
30 1/4'			31 3/16'	+76.0	+76.0	+76.0
34 1/4'	6	+86.0	35 3/16'	+76.0	+76.0	+76.0

PRODUCT REVIEW
 not complying with the Florida Building Code
 Acceptance No. 17-1212-09
 Expiration Date 6/15/13
 Nelson Erazo
 Senior Field Product Control

THOMAS J. SOTOS
 PROFESSIONAL ENGINEER
 FL LIC. # 55225



Revision Notes:

Revised to comply w/ FBC2007 & added Insulated Glass 01/22/10
 Ashland Multi-Point Lock 01/27/11
 Revised to comply w/ 2010 FBC
 Revised to comply w/ 2014 FBC
 Revised to comply w/ 2017 FBC

Revised By:	Nelson Erazo	Date Checked:	11/01/17
Drawn By:	Nelson Erazo	Date Drawn:	01/20/12
Scale:	n.t.s.		

LAWSON INDUSTRIES, INC.

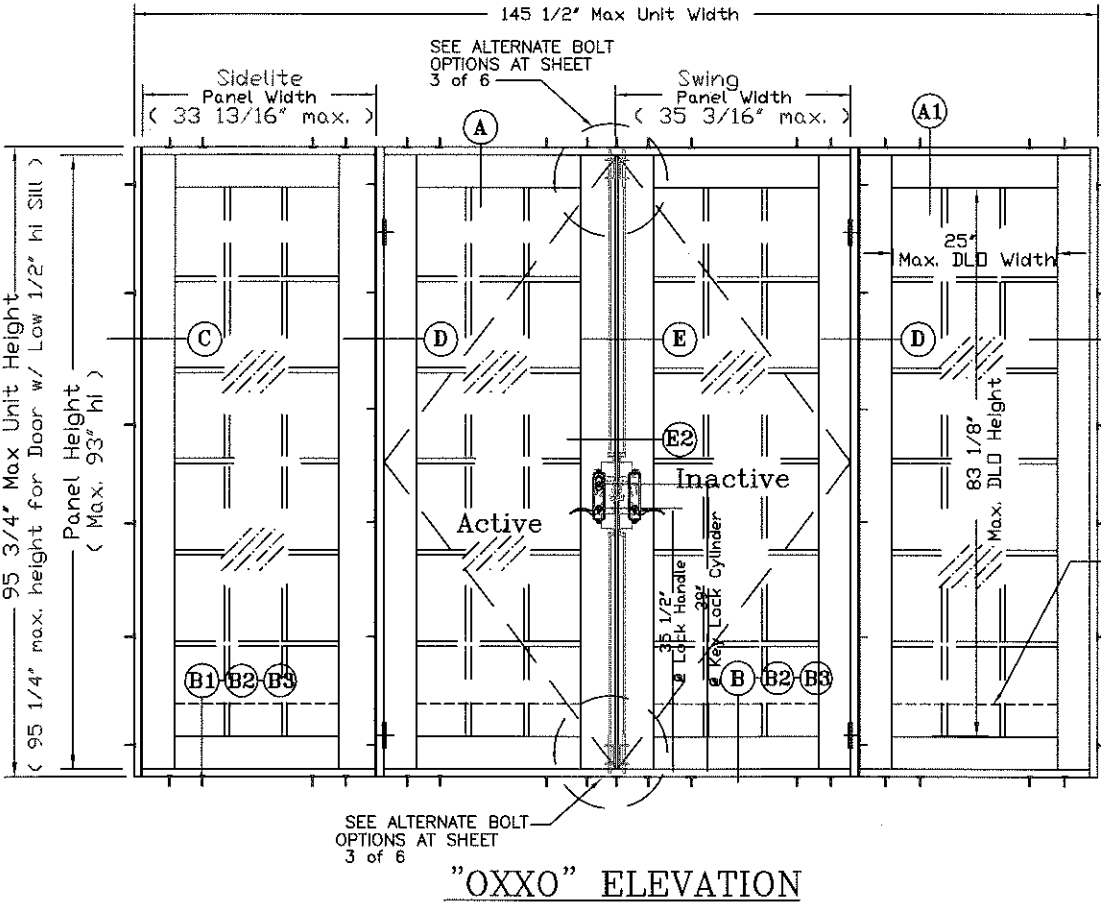
8501 NW 90th St.
 MEDLEY, FLORIDA 33166
 (305) 696-8660

MANUFACTURER OF QUALITY ALUMINUM WINDOWS AND GLASS DOORS

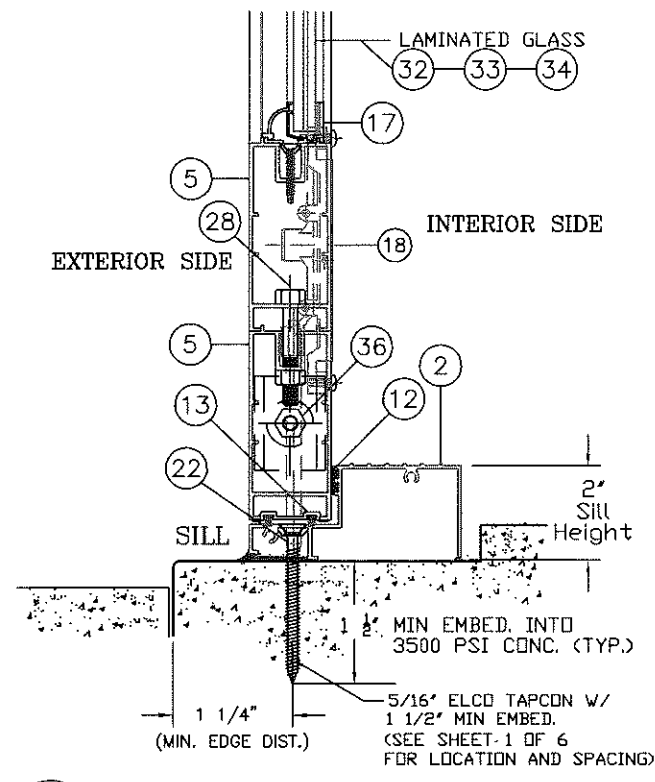
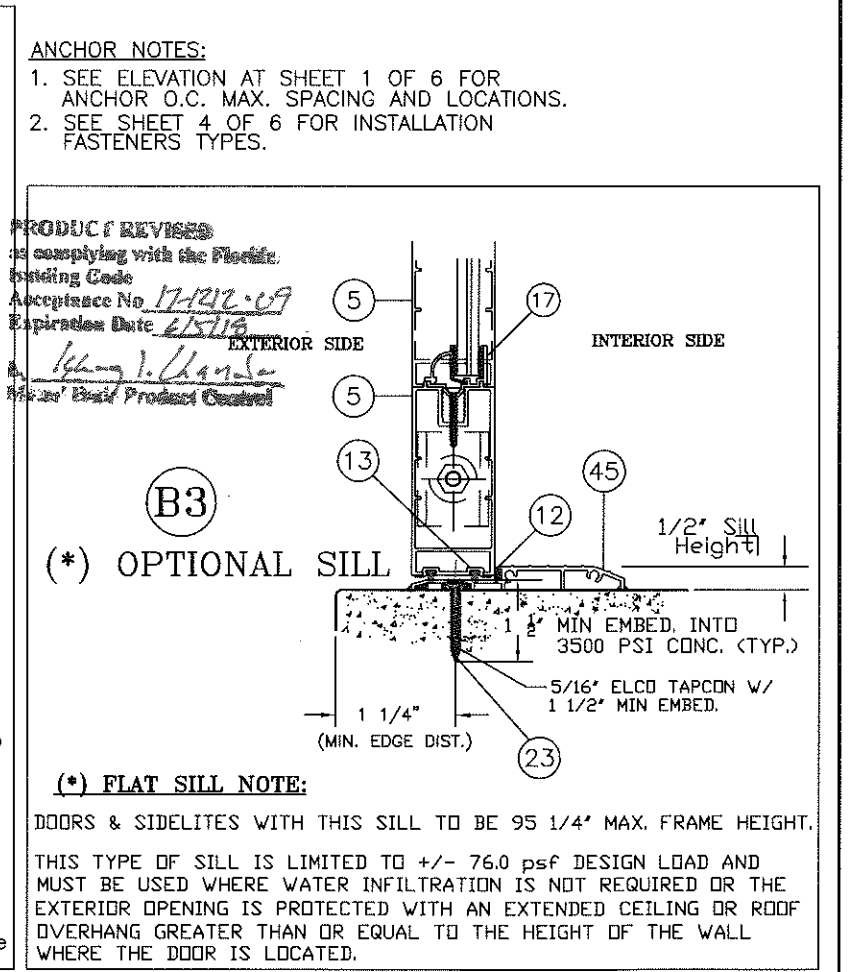
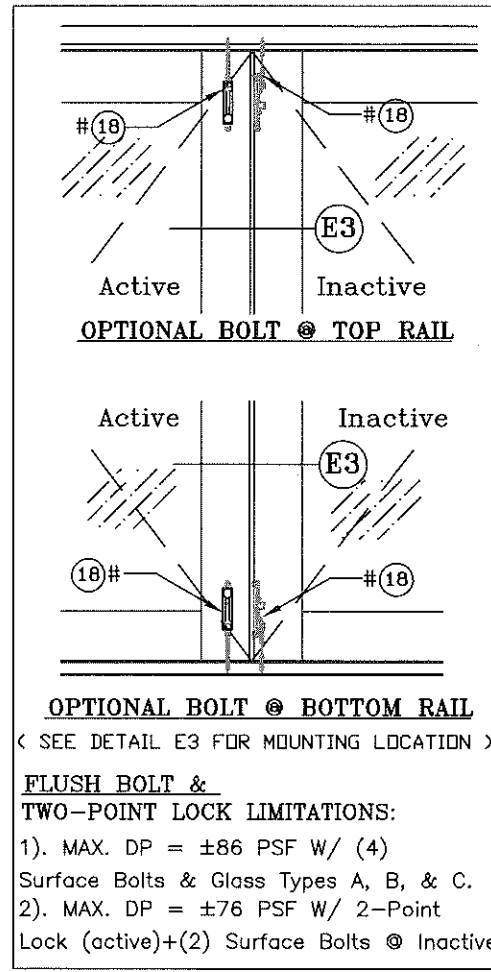
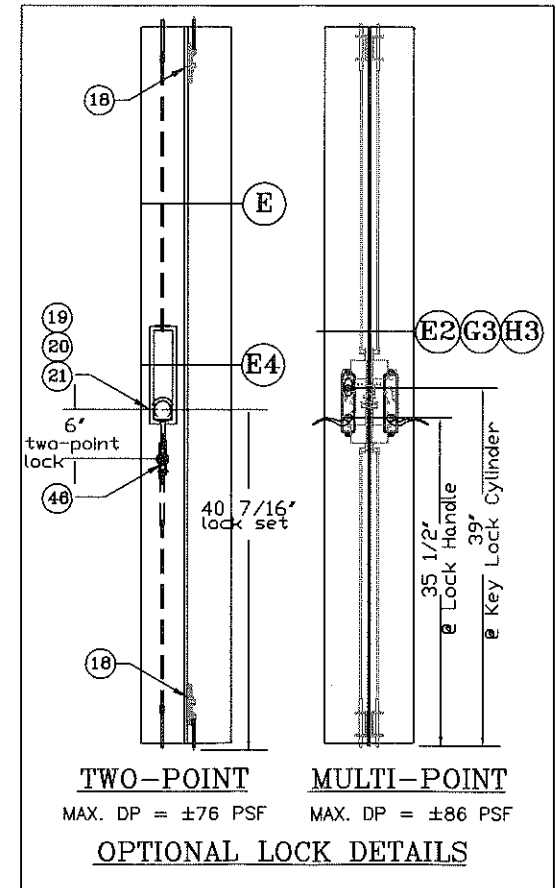
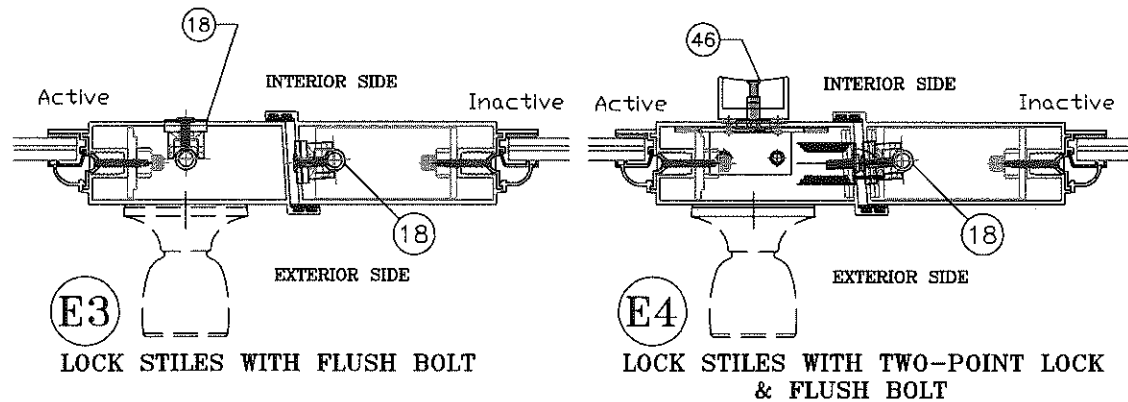
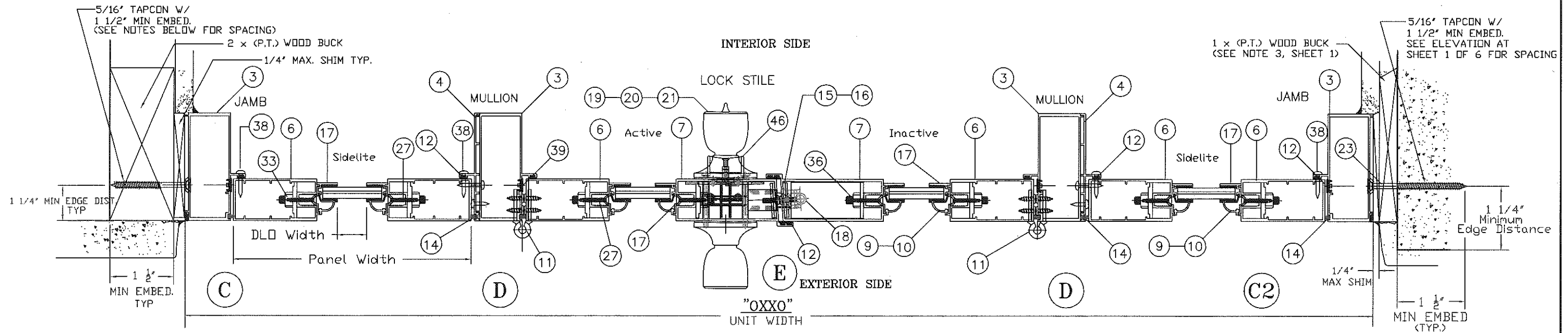
Draw Class:	Part Class:	Prod Category:	Series/Model:	Item:	Sheet:
NOA APPROVAL		IMPACT	FRENCH DOOR		2 OF 6

"La Porte" Impact" French Out-Swing Door

Reference Number:	Drawing Number:	Revision Level:
	FD-2003	G



- ANCHOR NOTES:**
1. SEE ELEVATION AT SHEET 1 OF 6 FOR ANCHOR O.C. MAX. SPACING AND LOCATIONS.
 2. SEE SHEET 4 OF 6 FOR INSTALLATION FASTENERS TYPES.



THOMAS J. SOTOS
 PROFESSIONAL ENGINEER
 FL LIC # 55225

NOV 21 2017

Revision Notes:
 Revised to comply w/ FBC2007 & added Insulated Glass 01/22/10
 Ashland Multi-Point Lock 01/27/11
 Revised to comply w/ 2010 FBC
 Revised to comply w/ 2014 FBC
 Revised to comply w/ 2017 FBC

Revised By: Nelson Erazo Date Checked: 11/01/17
 Drawn By: Nelson Erazo Date Drawn: 01/20/12
 Scale: n.t.s.

LAWSON INDUSTRIES, INC.

8501 NW 90th St.
 MEDLEY, FLORIDA 33166
 (305) 696-8660

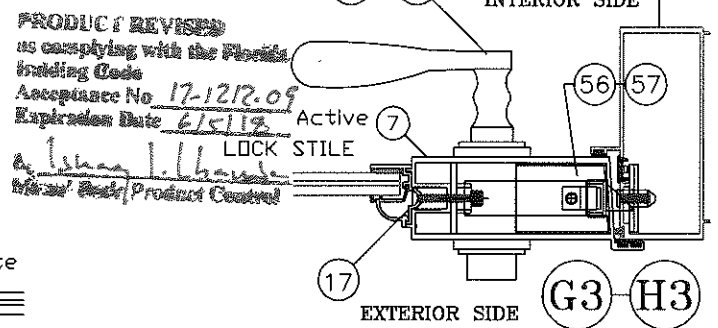
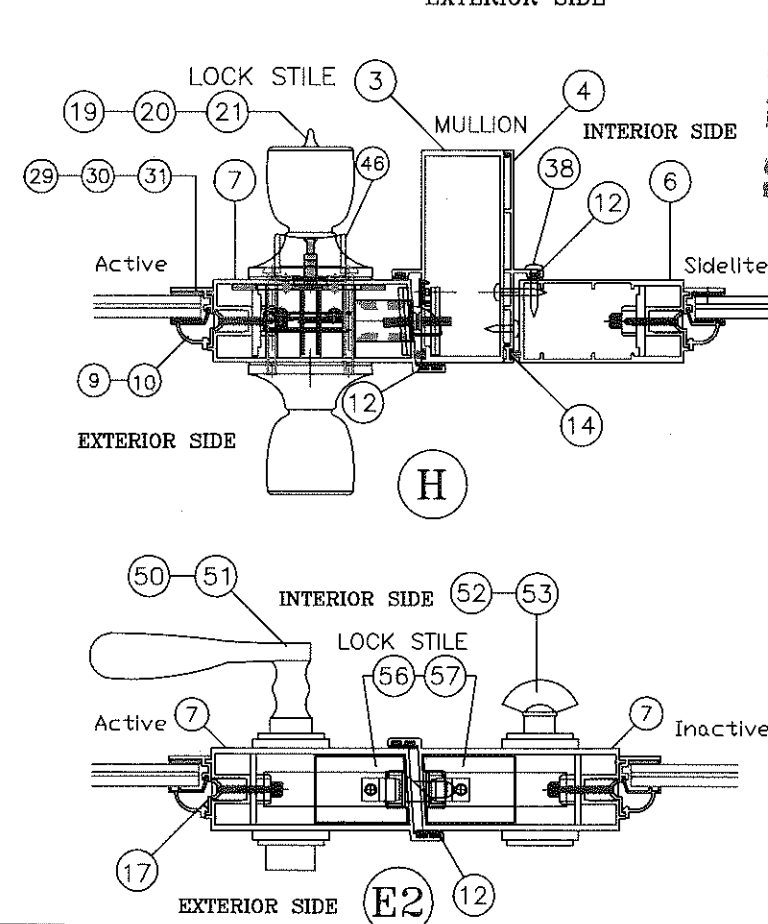
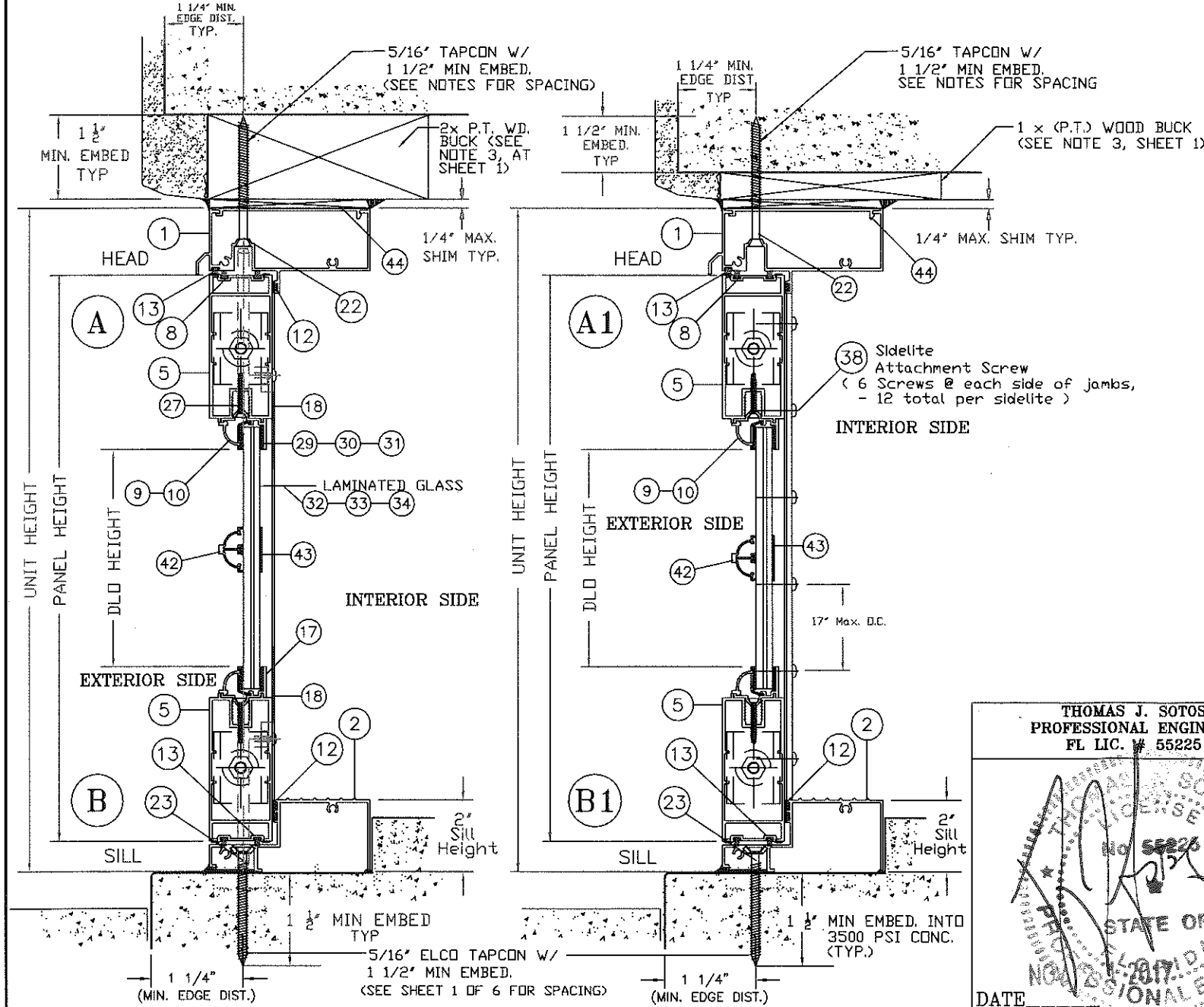
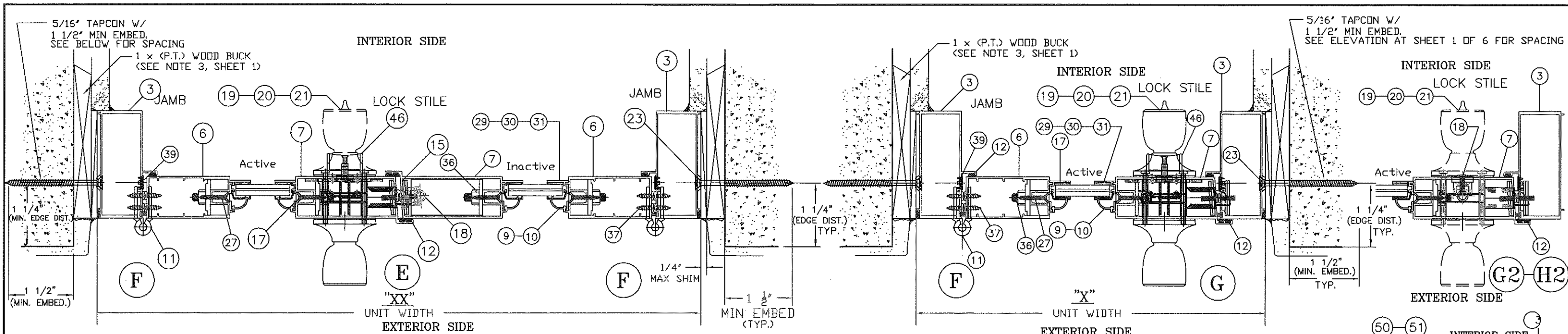
MANUFACTURER OF QUALITY ALUMINUM WINDOWS AND GLASS DOORS

Draw Class: NOA APPROVAL	Part Class:	Prod Category: IMPACT	Series/Model: FRENCH DOOR	Item:	Sheet: 3 OF 6
-----------------------------	-------------	--------------------------	------------------------------	-------	------------------

"La Porte" Impact" French Out-Swing Door

Reference Number: Drawing Number: FD-2003 Revision Level: G

B2 OPTIONAL - DOUBLE BOTTOM RAIL DETAIL



INSTALLATION FASTENERS NOTES:
 "1X BUCK" MINIMUM REQUIRED FASTENER LENGTH
 HEAD: 5/16" X 3 1/2" Long TAPCON(*)
 JAMB: 5/16" X 2 3/4" Long TAPCON(*)
 MULLIONS: 5/16" X 2 1/4" Long TAPCON(*)
 (*) TAPCON BY "ELCO ULTRACON"
 "2X BUCK" MINIMUM REQUIRED FASTENER LENGTH
 HEAD: 5/16" X 3" Long TAPCON(*)
 JAMB: 5/16" X 2 1/4" Long TAPCON(*)
 MULLIONS: 5/16" X 2 1/4" Long TAPCON(*)
 (*) TAPCON BY "ELCO ULTRACON"
 AT SILL: 5/16" TAPCON w/ 1 1/2" MIN. EMBED. INTO 3500 PSI CONC. MIN.
 NOTE: ALL FASTENERS W/ 1 1/2" MIN. EMBEDMENT, 1 1/4" MIN. EDGE DISTANCE & 1/4" MAX. SHIM SPACE
 ANCHOR YIELD STRENGTH Fy=155ksi
 ANCHOR ULTIMATE STRENGTH Fu=177ksi
 * ALL TAPCON LENGTHS "L" SPECIFIED ARE MINIMUMS (SEE ELEVATION AT SHEET 1 OF 6 FOR ANCHOR MAX. SPACING AND LOCATIONS)

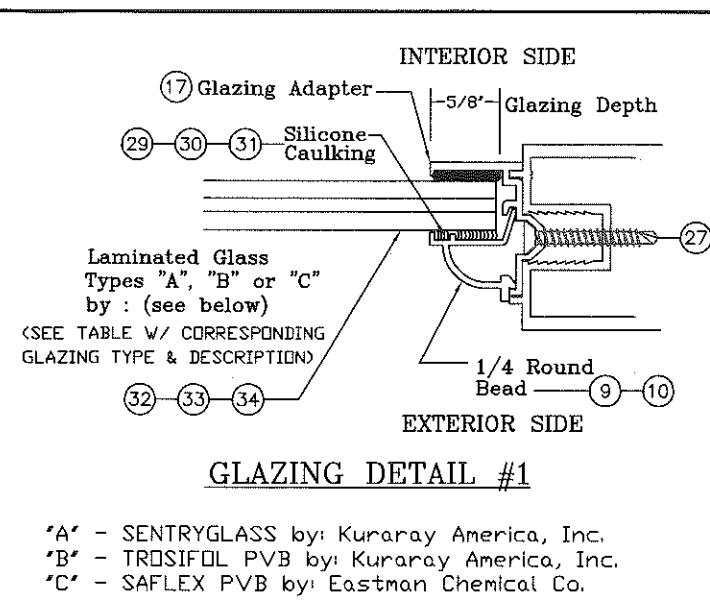
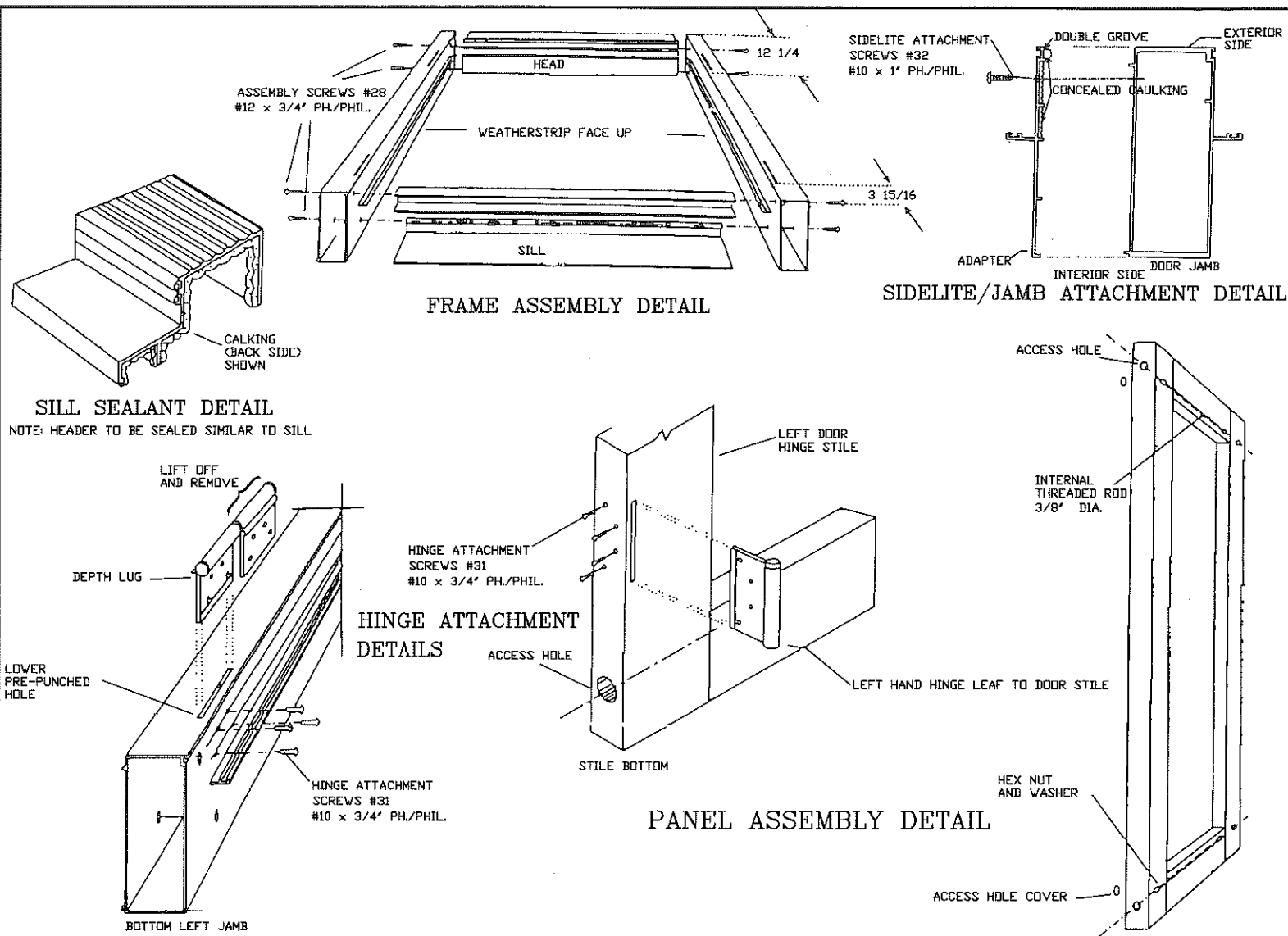
THOMAS J. SOTOS
 PROFESSIONAL ENGINEER
 FL LIC. # 55225
 DATE

Revision Notes:
 Revised to comply w/ FBC2007 & added Insulated Glass 01/22/10
 Ashland Multi-Point Lock 01/27/11
 Revised to comply w/ 2010 FBC
 Revised to comply w/ 2014 FBC
 Revised to comply w/ 2017 FBC
 Revised By: Nelson Erazo Date Checked: 11/01/17
 Drawn By: Nelson Erazo Date Drawn: 01/20/12
 Scale: n.t.s.

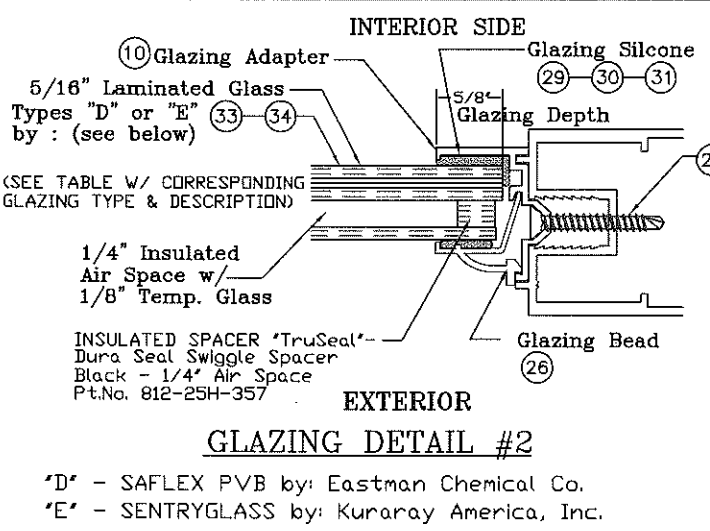
LAWSON INDUSTRIES, INC.
 8501 NW 90th St. MEDLEY, FLORIDA 33166 (305) 696-8660
 MANUFACTURER OF QUALITY ALUMINUM WINDOWS AND GLASS DOORS

Draw Class: NOA APPROVAL	Part Class:	Prod Category: IMPACT	Series/Model: FRENCH DOOR	Item:	Sheet: 4 OF 6
--------------------------	-------------	-----------------------	---------------------------	-------	---------------

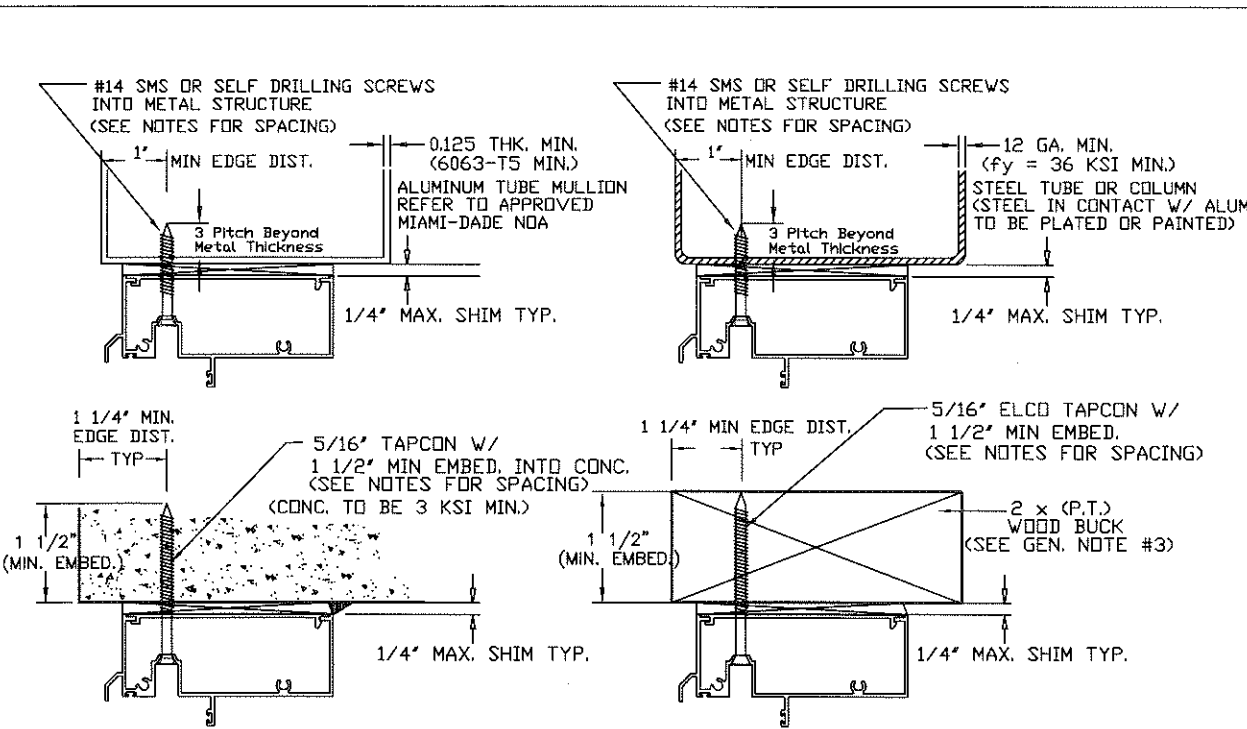
"La Porte" Impact French Out-Swing Door
 Reference Number: Drawing Number: FD-2003 Revision Level: G



GLAZING TYPE & DESCRIPTIONS		
.466" O/A Laminated Glass by Dupont - Glass Type "A"		
ITEM	DESCRIPTION	DETAIL
1	3/16" Annealed	
2	.090" SentryGlass Interlayer	
3	3/16" Annealed	
.340" O/A Laminated Glass by Dupont - Glass Type "B"		
ITEM	DESCRIPTION	DETAIL
1	1/8" Annealed	
2	.090" TROSIFOL PVB Interlayer	
3	1/8" Annealed	
.340" O/A Laminated Glass by Solutia - Glass Type "C"		
ITEM	DESCRIPTION	DETAIL
1	1/8" Heat-Strengthened Glass	
2	.090" Saflex PVB Interlayer	
3	1/8" Heat-Strengthened Glass	

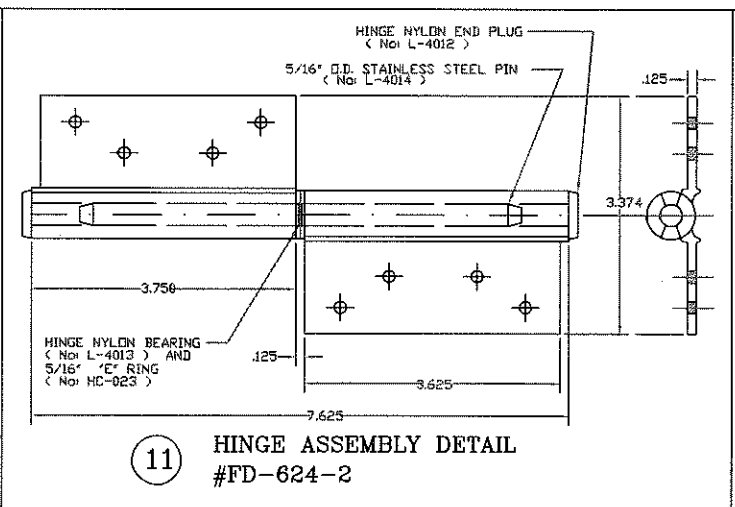


GLAZING TYPE & DESCRIPTIONS		
.340" O/A Laminated Glass by Solutia - Glass Type "D"		
ITEM	DESCRIPTION	DETAIL
1	1/8" Heat-Strengthened Glass	
2	.090" Saflex PVB Interlayer	
3	1/8" Heat-Strengthened Glass	
4	1/4" INSULATED AIR SPACE	
5	1/8" TEMPERED GLASS	
.340" O/A Laminated Glass by Solutia - Glass Type "E"		
ITEM	DESCRIPTION	DETAIL
1	1/8" Heat-Strengthened Glass	
2	.090" SentryGlass Interlayer	
3	1/8" Heat-Strengthened Glass	
4	1/4" INSULATED AIR SPACE	
5	1/8" TEMPERED GLASS	



THOMAS J. SOTOS
PROFESSIONAL ENGINEER
FL LIC. # 55225

DATE



PRODUCT REVISED
to comply with the Florida
Building Code
Acceptance No 17-1212-05
Expiration Date 6/5/13
E. Ishugli, Chief
No. 20 Product Control

Revision Notes:
Revised to comply w/ FBC2007 & added Insulated Glass 01/22/10
Ashland Multi-Point Lock 01/27/11
Revised to comply w/ 2010 FBC
Revised to comply w/ 2014 FBC
Revised to comply w/ 2017 FBC

Revised By: Nelson Erazo Date Checked: 11/01/17
Drawn By: Nelson Erazo Date Drawn: 01/20/12
Scale: n.t.s.

LAWSON INDUSTRIES, INC.

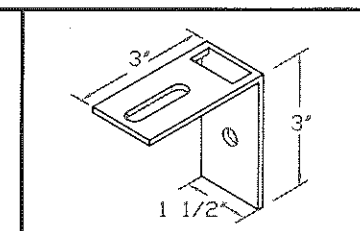
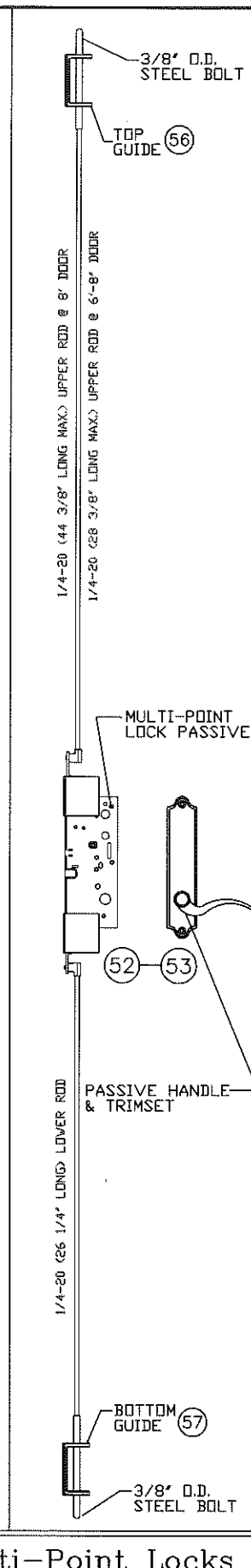
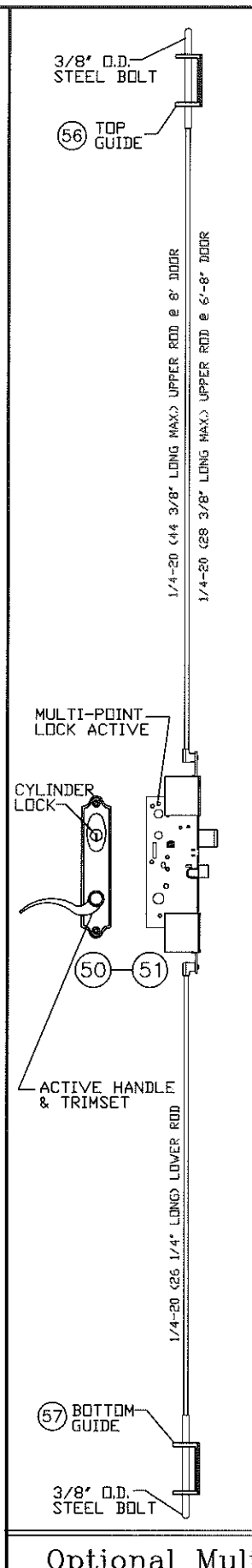
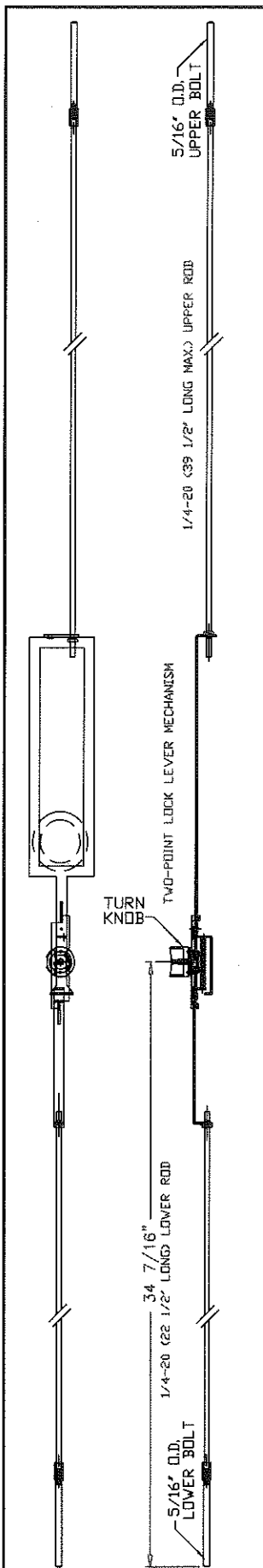
8501 NW 90th St.
MEDLEY, FLORIDA 33166
(305) 696-8660

MANUFACTURER OF QUALITY ALUMINUM WINDOWS AND GLASS DOORS

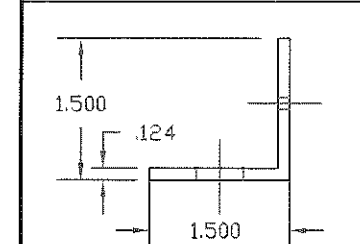
Draw Class: NOA APPROVAL	Part Class:	Prod Category: IMPACT	Series/Model: FRENCH DOOR	Item:	Sheet: 5 OF 6
--------------------------	-------------	-----------------------	---------------------------	-------	---------------

"La Porte" Impact French Out-Swing Door

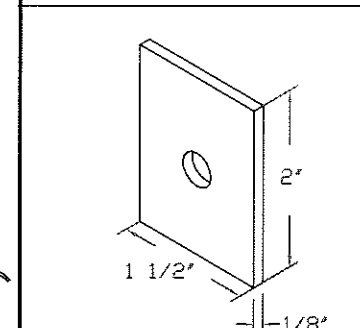
Part Number: Drawing Number: FD-2003 Revision Level: G



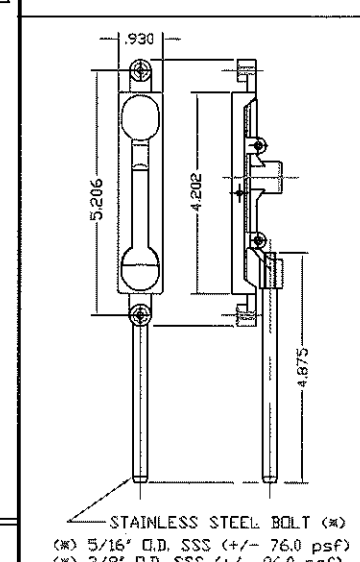
(49) FLUSH BOLT AND TWO-POINT LOCK ANGLE GUIDE #FD-627-1



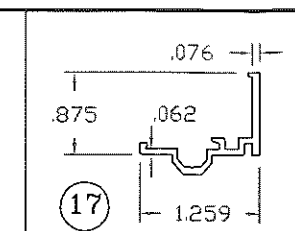
(47) INACTIVE-PANEL FLUSH BOLT ANGLE GUIDE 1 1/2" LONG #FD-625-1



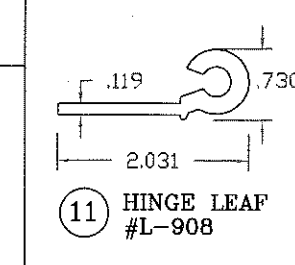
(35) SIDELITE PANEL ALUMINUM PLATE 2" LONG #HC-002



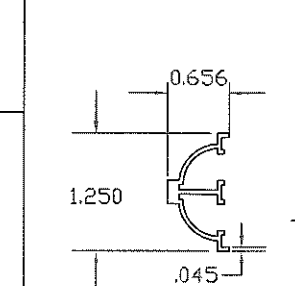
(18) INACTIVE-PANEL FLUSH BOLT #HC-001
 (**) 5/16" O.D. SSS (+/- 76.0 psf)
 (**) 3/8" O.D. SSS (+/- 86.0 psf)



(17) GLAZING ADAPTER #L-910



(11) HINGE LEAF #L-908



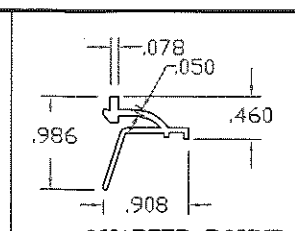
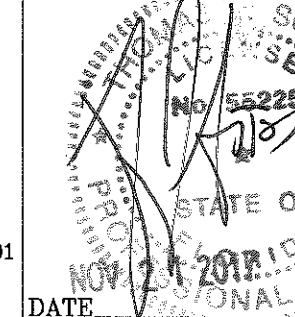
(42) HALF ROUND FALSE MUNTIN #L-913

Flexible Vinyl (FPVC) Composition - Team Plastics, Inc.

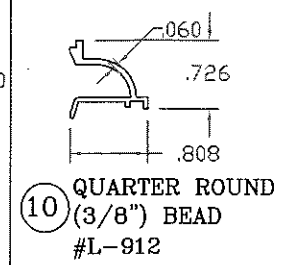
*1. FPVC Black Compound No. 7200-75		
PHYSICAL		ASTM NO.
Durometer Hardness "A", 10 sec	75	D-2240
Specific Gravity	1.45	D-792
Tensile Strength, PSI	1640	D-638
Ultimate Elongation, %	340.0	D-638
Modulus @ 100% Elongation, PSI	765.0	D-638
Impact Brittleness,	-31.0	D-746

*2. FPVC White Compound No. 7267-75		
PHYSICAL		ASTM NO.
Durometer Hardness "A", 10 sec	75	D-2240
Specific Gravity	1.45	D-792
Tensile Strength, PSI	1640	D-638
Ultimate Elongation, %	325.0	D-638
Modulus @ 100% Elongation, PSI	765.0	D-638
Impact Brittleness,	-30.0	D-746

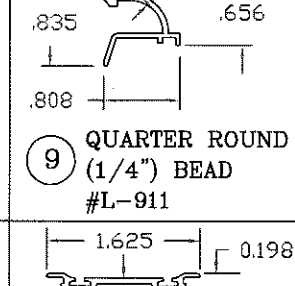
THOMAS J. SOTOS
PROFESSIONAL ENGINEER
FL LIC. # 55225



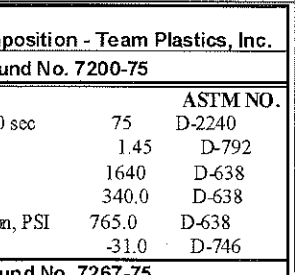
(26) QUARTER ROUND (11/16") BEAD #FD-634



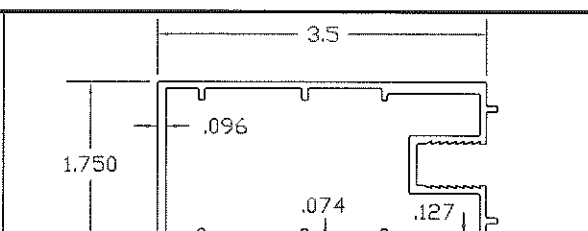
(10) QUARTER ROUND (3/8") BEAD #L-912



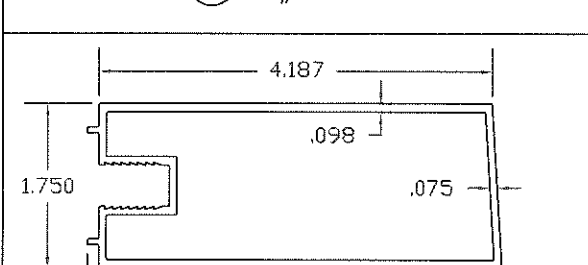
(9) QUARTER ROUND (1/4") BEAD #L-911



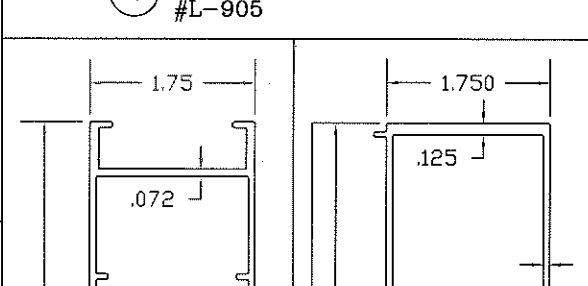
(8) RAIL ADAPTER #L-909



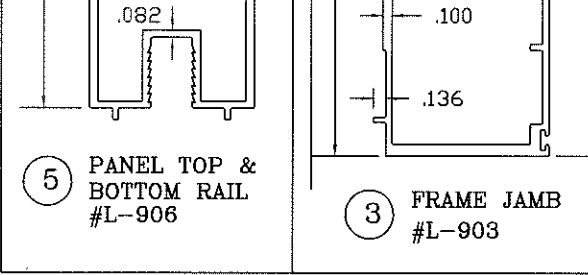
(6) PANEL HINGE STILE #L-907



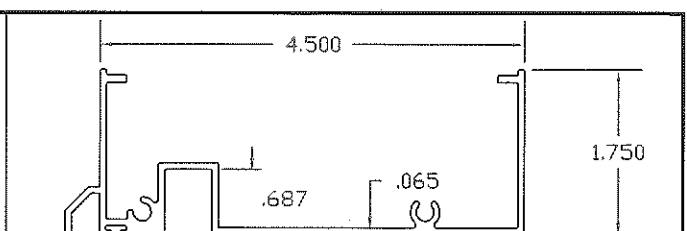
(7) PANEL LOCK STILE #L-905



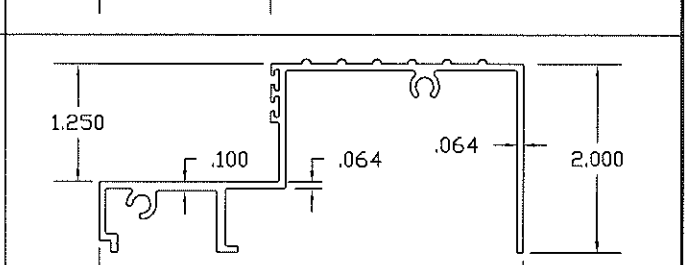
(5) PANEL TOP & BOTTOM RAIL #L-906



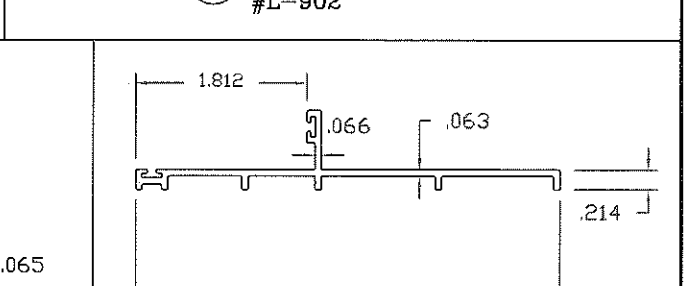
(3) FRAME JAMB #L-903



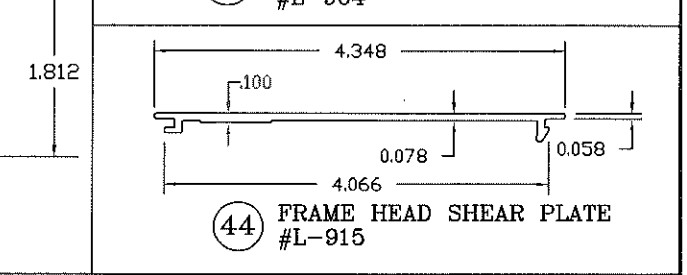
(1) FRAME HEAD #L-901



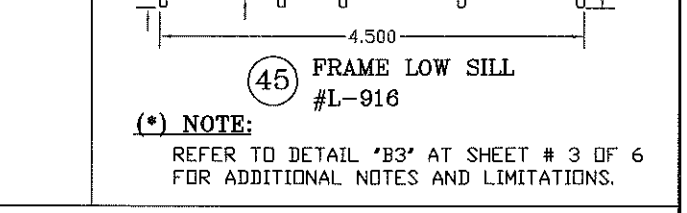
(2) FRAME SILL #L-902



(4) JAMB ADAPTER #L-904



(44) FRAME HEAD SHEAR PLATE #L-915



(45) FRAME LOW SILL #L-916
 (*) NOTE: REFER TO DETAIL "B3" AT SHEET # 3 OF 6 FOR ADDITIONAL NOTES AND LIMITATIONS.

NOTE:
 1. ALL DIMENSIONS SPECIFIED ARE IN INCHES
 2. SEE ELEVATION AT SHEET 1 OF 6 FOR ANCHOR O.C. MAX. SPACING AND LOCATIONS
 PRODUCT REVISED to comply with the Florida Building Code
 Acceptance No. 17-1212-09
 Expiration Date 6/30/19
 Lawson Industries, Inc.

Optional Multi-Point Locks (+/- 86.0 psf DP)

Active Lock	Passive Lock
ASHLAND #W5110-STACT5	ASHLAND #W5110-STPAS4
HANDLE & TRIMSET	HANDLE & TRIMSET
ASHLAND #W5201A-A	ASHLAND #W5201A-P

(46) OPTIONAL TWO-POINT LOCK LOCK #HC-050 (+/- 76.0 psf DP)

Revision Notes:

Revised to comply w/ FBC2007 & added Insulated Glass 01/22/10	
Ashland Multi-Point Lock 01/27/11	
Revised to comply w/ 2010 FBC	
Revised to comply w/ 2014 FBC	
Revised to comply w/ 2017 FBC	
Revised By: Nelson Erazo	Date Checked: 11/01/17
Drawn By: Nelson Erazo	Date Drawn: 01/20/12
	Scale: n.t.s.

LAWSON INDUSTRIES, INC.
 MANUFACTURER OF QUALITY ALUMINUM WINDOWS AND GLASS DOORS
 8501 NW 90th St. MEDLEY, FLORIDA 33166 (305) 696-8660

Draw Class:	Part Class:	Prod Category:	Series/Model:	Item:	Sheet:
NOA APPROVAL		IMPACT	FRENCH DOOR		6 OF 6

"La Porte" Impact" French Out-Swing Door

Part Number:	Drawing Number:	Revision Level:
	FD-2003	G