



**MIAMI-DADE COUNTY
PRODUCT CONTROL SECTION**

11805 SW 26 Street, Room 208
Miami, Florida 33175-2474
T (786) 315-2590 F (786) 315-2599

**DEPARTMENT OF REGULATORY AND ECONOMIC RESOURCES (RER)
BOARD AND CODE ADMINISTRATION DIVISION**

www.miamidade.gov/building

NOTICE OF ACCEPTANCE (NOA)

**Lawson Industries, Inc.
8501 NW 90 Street
Medley, FL 33166**

SCOPE:

This NOA is being issued under the applicable rules and regulations governing the use of construction materials. The documentation submitted has been reviewed and accepted by Miami-Dade County RER - Product Control Section to be used in Miami Dade County and other areas where allowed by the Authority Having Jurisdiction (AHJ).

This NOA shall not be valid after the expiration date stated below. The Miami-Dade County Product Control Section (In Miami-Dade County) and/ or the AHJ (in areas other than Miami-Dade County) reserve the right to have this product or material tested for quality assurance purposes. If this product or material fails to perform in the accepted manner, the manufacturer will incur the expense of such testing and the AHJ may immediately revoke, modify, or suspend the use of such product or material within their jurisdiction. RER reserves the right to revoke this acceptance if it is determined by Miami-Dade County Product Control Section that this product or material fails to meet the requirements of the applicable building code.

This product is approved as described herein and has been designed to comply with the Florida Building Code, including the High Velocity Hurricane Zone.

DESCRIPTION: Series “4200/6200 Flange-Frame” Aluminum Fixed Window – L.M.I.

APPROVAL DOCUMENT: Drawing No. **L4200-6200-1201**, titled “Series-4200-6200 Flange Frame Impact Fixed Window”, sheets 1 through 5 of 5, dated 02/21/12, with revision D dated 04/10/20, prepared by manufacturer, signed and sealed by Thomas J. Sotos, P.E., bearing the Miami-Dade County Product Control Revision stamp with the Notice of Acceptance number and expiration date by the Miami-Dade County Product Control Section.

MISSILE IMPACT RATING: Large and Small Missile Impact Resistant

LABELING: Each unit shall bear a permanent label with the manufacturer's name or logo, city, state, series, and following statement: "Miami-Dade County Product Control Approved", unless otherwise noted herein.

RENEWAL of this NOA shall be considered after a renewal application has been filed and there has been no change in the applicable building code negatively affecting the performance of this product.

TERMINATION of this NOA will occur after the expiration date or if there has been a revision or change in the materials, use, and/ or manufacture of the product or process. Misuse of this NOA as an endorsement of any product, for sales, advertising or any other purposes shall automatically terminate this NOA. Failure to comply with any section of this NOA shall be cause for termination and removal of NOA.

ADVERTISEMENT: The NOA number preceded by the words Miami-Dade County, Florida, and followed by the expiration date may be displayed in advertising literature. If any portion of the NOA is displayed, then it shall be done in its entirety.

INSPECTION: A copy of this entire NOA shall be provided to the user by the manufacturer or its distributors and shall be available for inspection at the job site at the request of the Building Official.

This NOA **revises NOA No. 17-1212.13** and consists of this page 1 and evidence pages E-1, E-2, E-3, E-4 and E-5, as well as approval document mentioned above.

The submitted documentation was reviewed by **Manuel Perez, P.E.**



6/18/20

NOA No. 20-0428.01
Expiration Date: August 22, 2022
Approval Date: June 25, 2020
Page 1

Lawson Industries, Inc.

NOTICE OF ACCEPTANCE: EVIDENCE SUBMITTED

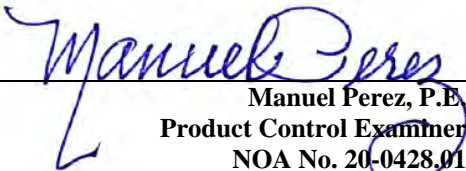
1. EVIDENCE SUBMITTED UNDER PREVIOUS NOA's

A. DRAWINGS

1. Manufacturer's die drawings and sections.
(Submitted under NOA No. 12-0307.06)
2. Drawing No. **L4200-6200-1201**, titled "Series-4200-6200 Flange Frame Impact Fixed Window", sheets 1 through 5 of 5, dated 02/21/12, with revision **C** dated on 11/01/17, prepared by manufacturer, signed and sealed by Thomas J. Sotos, P.E.
(Submitted under NOA No. 17-1212.13)

B. TESTS

1. Test reports on: 1) Large Missile Impact Test per FBC, TAS 201-94
2) Cyclic Wind Pressure Loading per FBC, TAS 203-94
along with marked-up drawings and installation diagram of an arch and a rectangular fin-frame fixed window, prepared by Hurricane Engineering & Testing, Inc., Test Reports No. **HETI-12-4010** and **HETI-11-3363**, both dated 03/05/12, signed and sealed by Rafael Droz-Seda, P.E.
(Submitted under NOA No. 12-0307.06)
2. Test reports on: 1) Large Missile Impact Test per FBC, TAS 201-94
2) Cyclic Wind Pressure Loading per FBC, TAS 203-94
along with marked-up drawings and installation diagram of a rectangular, a circular arch and an elliptical arch fin-frame fixed window, prepared by Hurricane Engineering & Testing, Inc., Test Reports No. **HETI-09-2614** dated 09/04/09, **HETI-09-2612** dated 09/02/09, **HETI-09-2586** dated 07/10/09, **HETI-09-2584** dated 07/10/09, **HETI-09-2582** dated 07/10/09, and **HETI-09-2580** dated 07/10/09, all signed and sealed by Candido F. Font, P.E.
(Submitted under NOA No. 12-0307.06)
3. Test reports on: 1) Uniform Static Air Pressure Test, Loading per FBC, TAS 202-94
along with marked-up drawings and installation diagram of a rectangular fin-frame fixed window, prepared by Hurricane Engineering & Testing, Inc., Test Reports No. **HETI-09-2613** dated 09/04/09, **HETI-09-2611** dated 09/04/09, **HETI-09-2585** dated 07/10/09, **HETI-09-2581** dated 07/10/09 and **HETI-09-2579** dated 07/10/09, all signed and sealed by Candido F. Font, P.E.
(Submitted under NOA No. 12-0307.06)
4. Test reports on: 1) Uniform Static Air Pressure Test, Loading per FBC, TAS 202-94
along with marked-up drawings and installation diagram of a rectangular fin-frame fixed window, prepared by Hurricane Engineering & Testing, Inc., Test Reports No. **HETI-03-1778** dated 01/30/03, **HETI-03-1779** dated 01/30/03 and **HETI-03-1776** dated 01/30/03, all signed and sealed by Rafael Droz-Seda, P.E.
(Submitted under NOA No. 03-0327.11)


Manuel Perez, P.E.
Product Control Examiner
NOA No. 20-0428.01
Expiration Date: August 22, 2022
Approval Date: June 25, 2020

Lawson Industries, Inc.

NOTICE OF ACCEPTANCE: EVIDENCE SUBMITTED

B. TESTS (CONTINUED)


5. Test reports on: 1) Large Missile Impact Test per FBC, TAS 201-94
2) Cyclic Wind Pressure Loading per FBC, TAS 203-94
along with marked-up drawings and installation diagram of a rectangular, a circular arch and an elliptical arch fin-frame fixed window, prepared by Hurricane Engineering & Testing, Inc., Test Reports No. **HETI-03-1777** dated 01/30/03, **HETI-03-1774A** dated 01/30/03, and **HETI-03-1774B** dated 01/30/03, all signed and sealed by Rafael Droz-Seda, P.E.
(Submitted under NOA No. 03-0327.11)
6. Test reports on: 1) Air Infiltration Test, per FBC, TAS 202-94
2) Uniform Static Air Pressure Test, Loading per FBC, TAS 202-94
3) Water Resistance Test, per FBC, TAS 202-94
along with marked-up drawings and installation diagram of a circular arch fin-frame fixed window, prepared by Hurricane Engineering & Testing, Inc., Test Reports No. **HETI-02-1215** dated 04/08/02 and **HETI-01-1193** dated 04/08/02, both signed and sealed by Hector Medina, P.E.
(Submitted under NOA No. 02-0701.01)
7. Test reports on: 1) Large Missile Impact Test per FBC, TAS 201-94
2) Cyclic Wind Pressure Loading per FBC, TAS 203-94
along with marked-up drawings and installation diagram of a rectangular, a circular arch and an elliptical arch fin-frame fixed window, prepared by Hurricane Engineering & Testing, Inc., Test Reports No. **HETI-02-1158** dated 04/08/02, **HETI-01-1103** dated 02/12/02 and **HETI-01-1098** dated 02/11/02, all signed and sealed by Hector Medina, P.E.
(Submitted under NOA No. 02-0701.01)

C. CALCULATIONS

1. Anchor verification calculations and structural analysis, complying with FBC, prepared by manufacturer, dated 03/01/12, signed and sealed by Thomas J. Sotos, P.E.
(Submitted under NOA No. 12-0307.06)
2. **Glazing complies with ASTM E1300-04/09**

D. QUALITY ASSURANCE

1. Miami-Dade Department of Regulatory and Economic Resources (RER).


Manuel Pérez, P.E.
Product Control Examiner
NOA No. 20-0428.01
Expiration Date: August 22, 2022
Approval Date: June 25, 2020

Lawson Industries, Inc.

NOTICE OF ACCEPTANCE: EVIDENCE SUBMITTED

E. MATERIAL CERTIFICATIONS

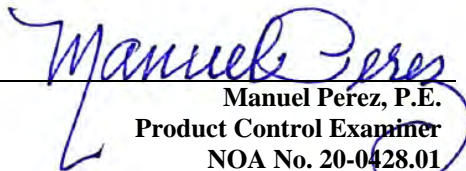
1. Notice of Acceptance No. **16-1117.01** issued to **Kuraray America., Inc.** for their “**Trosifol® Ultraclear, Clear, and Color PVB Interlayers**” dated 01/19/17, expiring on 07/08/19.
2. Notice of Acceptance No. **14-0916.11** issued to **Kuraray America., Inc.** for their “**SentryGlas® (Clear and White) Interlayer**” dated 06/25/15, expiring on 07/04/18.
3. Notice of Acceptance No. **14-0423.15** issued to **Eastman Chemical Company (MA)** for their “**Saflex CP - Saflex and Saflex HP Composite Glass Interlayers with PET Core**” dated 06/19/14, expiring on 12/11/18.

F. STATEMENTS

1. Statement letter of conformance to **FBC 6th Edition (2017)** and of “no financial interest” dated 11/17/17, prepared by the manufacturer, signed and sealed by Thomas J. Sotos, P.E.
(Submitted under NOA No. 17-1212.13)
2. Statement letter dated 01/22/18 of the editorial drawing changes issued by Lawson Inc, signed by Nelson Erazo, Senior Design Engineer.
(Submitted under NOA No. 17-1212.13)
3. Laboratory compliance letter for Test Reports No. **HETI-09-2614** dated 09/04/09, **HETI-09-2612** dated 09/02/09, **HETI-09-2586** dated 07/10/09, **HETI-09-2584** dated 07/10/09, **HETI-09-2582** dated 07/10/09, **HETI-09-2580** dated 07/10/09, **HETI-09-2613** dated 09/04/09, **HETI-09-2611** dated 09/04/09, **HETI-09-2585** dated 07/10/09, **HETI-09-2581** dated 07/10/09 and **HETI-09-2579** dated 07/10/09, all issued by Hurricane Engineering & Testing, Inc., signed and sealed by Candido F. Font, P.E.
(Submitted under NOA No. 12-0307.06)
4. Laboratory compliance letter for Test Reports No. **HETI-12-4010** dated 03/05/12, **HETI-11-3363** dated 03/05/12, **HETI-03-1778** dated 01/30/03, **HETI-03-1779** dated 01/30/03, **HETI-03-1776** dated 01/30/03, **HETI-03-1777** dated 01/30/03, **HETI-03-1774A** dated 01/30/03 and **HETI-03-1774B** dated 01/30/03, all issued by Hurricane Engineering & Testing, Inc., signed and sealed by Rafael Droz-Seda, P.E.
(Submitted under NOA No. 12-0307.06)

G. OTHERS

1. Notice of Acceptance No. **17-0531.05** issued to Lawson Industries, Inc. for their Series “4200/6200 Flange - Frame” Aluminum Fixed Window – L.M.I., approved on 08/17/17 and expiring on 08/22/22.


Manuel Perez, P.E.
Product Control Examiner
NOA No. 20-0428.01
Expiration Date: August 22, 2022
Approval Date: June 25, 2020

NOTICE OF ACCEPTANCE: EVIDENCE SUBMITTED

2. NEW EVIDENCE SUBMITTED

A. DRAWINGS

1. Drawing No. **L4200-6200-1201**, titled “Series-4200-6200 Flange Frame Impact Fixed Window”, sheets 1 through 5 of 5, dated 02/21/12, with revision D dated on 04/10/20, prepared by manufacturer, signed and sealed by Thomas J. Sotos, P.E..

B. TESTS

1. Test reports on: 1) Air Infiltration Test, per FBC, TAS 202-94
2) Uniform Static Air Pressure Test, Loading per FBC, TAS 202-94
3) Water Resistance Test, per FBC, TAS 202-94
4) Forced Entry Test, per FBC 2411.3.2.1, and TAS 202-94
5) Large Missile Impact Test per FBC, TAS 201-94
6) Cyclic Wind Pressure Loading per FBC, TAS 203-94
along with marked-up drawings and installation diagram of a series 4200/6200 aluminum fixed window, glazed with ⁷/₁₆” HS laminated glass, prepared by Fenestration Testing Laboratory, Inc., Test Report No. **FTL-12021**, dated 03/20/20, signed and sealed by Idalmis Ortega, P.E.

C. CALCULATIONS

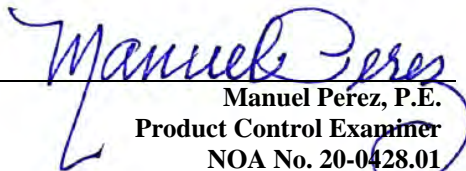
1. Anchor verification calculations and structural analysis, complying with FBC 6th Edition (2017), prepared by manufacturer, dated 04/17/20, signed and sealed by Thomas J. Sotos, P.E.

D. QUALITY ASSURANCE

1. Miami-Dade Department of Regulatory and Economic Resources (RER)

E. MATERIAL CERTIFICATIONS

1. Notice of Acceptance No. **19-0305.02** issued to **Kuraray America, Inc.** for their “**Trosifol® Ultraclear, Clear and Color PVB Glass Interlayers**” dated 05/09/19, expiring on 07/08/24.
2. Notice of Acceptance No. **18-0725.11** issued to **Kuraray America, Inc.** for their “**Kuraray SentryGlas® Xtra™ (SGX™) Clear Glass Interlayer**” dated 05/23/19, expiring on 05/23/24.
3. Notice of Acceptance No. **18-0301.06** issued to **Eastman Chemical Company (MA)** for their “**Saflex CP - Saflex and Saflex HP Composite Glass Interlayers with PET Core**” dated 05/17/18, expiring on 12/11/23.


Manuel Perez, P.E.
Product Control Examiner
NOA No. 20-0428.01
Expiration Date: August 22, 2022
Approval Date: June 25, 2020

Lawson Industries, Inc.

NOTICE OF ACCEPTANCE: EVIDENCE SUBMITTED

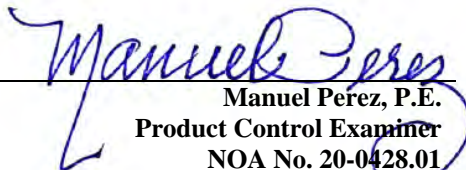
2. NEW EVIDENCE SUBMITTED (CONTINUED)

F. STATEMENTS

1. Statement letter of conformance, complying with **FBC 6th Edition (2017)**, dated April 17, 2020, issued by manufacturer, signed and sealed by Thomas J. Sotos, P.E.
2. Statement letter of no financial interest, dated April 17, 2020, issued by manufacturer, signed and sealed by Thomas J. Sotos, P.E.
3. Proposal No. **19-1138** issued to Lawson Industries, Inc. by the Product Control Section, dated October 18, 2019, signed by Ishaq Chanda, P.E.

G. OTHERS

1. Notice of Acceptance No. **17-1212.13**, issued to Lawson Industries, Inc. for their Series "4200/6200 Flange - Frame" Aluminum Fixed Window – L.M.I., approved on 02/01/18 and expiring on 08/22/22.

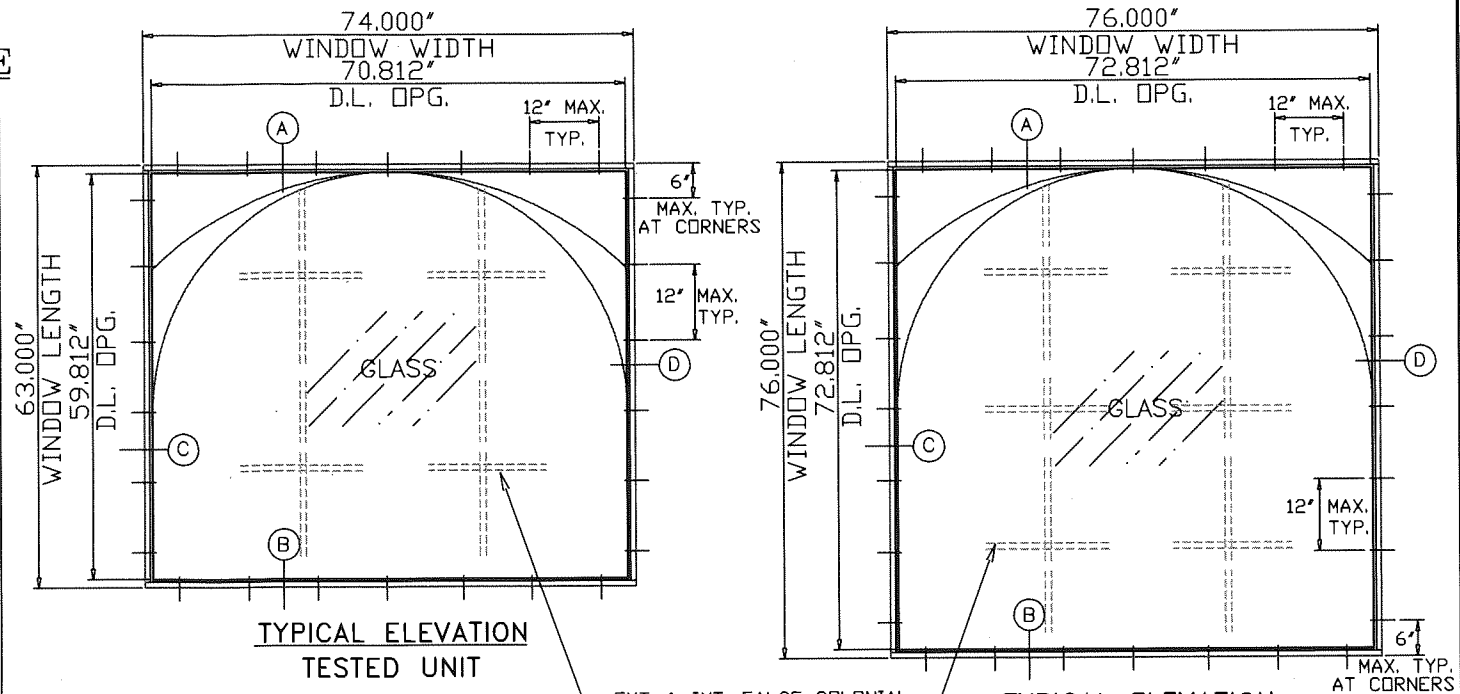


Manuel Perez, P.E.
Product Control Examiner
NOA No. 20-0428.01
Expiration Date: August 22, 2022
Approval Date: June 25, 2020

SERIES-4200 / 6200 FIXED IMPACT WINDOW - FLANGE FRAME

APPROVED WINDOW ELEVATIONS (L.M.IMPACT)

<p>QUARTER-ROUND ELEVATION</p>	<p>HALF-ROUND TYPICAL ELEVATION</p>	<p>ARCHED PICTURE WINDOW</p>
<p>HEXAGON TYPICAL ELEVATION</p>	<p>RECTANGULAR TYPICAL ELEVATION</p>	<p>SQUARE PICTURE WINDOW ELEVATION</p>
<p>FULL ROUND TYPICAL ELEVATION</p>	<p>RECTANGULAR TYPICAL ELEVATION</p>	<p>SQUARE PICTURE WINDOW ELEVATION</p>
<p>OVAL TYPICAL ELEVATION</p>	<p>LEGGED EYE BROW ELEVATION</p>	<p>QUARTER-ROUND ELEVATION</p>
<p>OCTAGON TYPICAL ELEVATION</p>	<p>"ELLIPTICAL" TYPICAL ELEVATION</p>	<p>ALLOWABLE LOADS FOR ALTERNATE SHAPES AS SHOWN, CAN BE VERIFIED BY INSCRIBING PICTURE WINDOW SHAPE WITHIN A SQUARE OR RECTANGLE, AS SHOW IN DOTTED LINES AND OBTAINING ALLOWABLE LOADS FROM THOSE SHAPES. PROVIDED PERIMETER FASTENERS ARE AS DESCRIBED HEREIN FOR SIZE AND SPACING.</p>



NOTE:
MAXIMUM GLASS AREA TESTED APPLIES TO GLASS TYPES: E, F, K AND L. - SEE DESIGN LOAD CAPACITY TABLES ON SHEET 4 FOR SIZE LIMITATIONS OF EACH GLASS TYPE.

EXT. & INT. FALSE COLONIAL MUNTINS ARE APPLIED W/ W/ SILICONE AND ARE AVAILABLE AS OPTIONAL.

NOTE:
MAXIMUM GLASS AREA TESTED APPLIES TO GLASS TYPES: J - SEE DESIGN LOAD CAPACITY TABLES ON SHEET 4.

WINDOWS ARE L.M. IMPACT MIAMI-DADE COUNTY APPROVED SHUTTERS NOT REQUIRED

PRODUCT REVISED as complying with the Florida Building Code
NOA-No. 20-0428.01
Expiration Date: 08/22/2022
By: *Manuel Fern*
Miami-Dade Product Control

General Notes:

- 1.) THIS WINDOW SYSTEM IS DESIGNED AND TESTED TO COMPLY WITH THE REQUIREMENTS OF THE FLORIDA BUILDING CODE (2014-5th Edition & 2017-6th Edition) INCLUDING HIGH VELOCITY HURRICANE ZONE (HVHZ) AND ASTM 1300-09. THIS PRODUCT IS IMPACT RESISTANT. (SHUTTERS NOT REQUIRED)
- 2.) WOOD BUCKS SHALL BE INSTALLED AND ANCHORED SO THAT THE BUILDING RESISTS THE SUPERIMPOSED LOADS IN ACCORDANCE WITH THE REQUIREMENTS OF F.B.C. & TO BE REVIEWED BY BUILDING OFFICIAL.
- 3.) ANCHORS SHOWN ABOVE ARE AS PER TEST UNITS. ANCHORS ON ALL WINDOW SIZES ARE NOT TO EXCEED THESE MAXIMUM SPACINGS ON CENTER (O.C.) .
- 4.) ANCHOR CONDITIONS NOT DESCRIBED IN THESE DRAWING'S ARE TO BE ENGINEERED ON A SITE SPECIFIC BASIS, UNDER SEPARATE APPROVAL AND TO BE REVIEWED BY BUILDING OFFICIAL.
- 5.) WINDOWS ARE QUALIFIED FOR USE WITH SINGLE GLAZE LAMINATED GLASS TYPES, AND FOR USE WITH DOUBLE GLAZE LAMINATED INSULATED GLASS TYPES TABULATED HEREIN; (SEE SHEET #3 FOR GLASS TYPES AND SHEET #4 FOR MAX. DESIGN PRESSURES).
- 6.) WINDOWS WITH GLASS TYPES "B, C, F, OR G" INSTALLED ABOVE 30ft. IN THE HVHZ, THE I.G. EXTERIOR LITE SHALL BE TEMPERED TO COMPLY WITH THE SMALL MISSILE IMPACT RESISTANCE REQUIREMENTS (FBC-Chapter 24 Section 2411.3.3.7).
- 7.) FOR OPTIONAL FRAME INSTALLATION DETAILS SEE SHEETS 2 & 5.
- 8.) EXT. & INT. FALSE COLONIAL MUNTINS ARE OPTIONAL & AND ARE APPLIED W/ SILICONE
- 9.) WOOD BUCKS IN CONTACT WITH CONCRETE MUST BE PRESSURE TREATED AND ANCHORED (BY OTHERS), PRIOR TO WINDOW INSTALLATION. (SEE SHEET #2 FOR DETAIL & NOTES)
- 10.) APPROVAL APPLIES TO SINGLE UNITS OR SIDE BY SIDE MULLED UNITS.
- 11.) MULLING FIXED WINDOWS WITH OTHER TYPES OF MIAMI-DADE COUNTY APPROVED PRODUCTS USING A MIAMI-DADE COUNTY APPROVED MULLION IN BETWEEN ARE ACCEPTABLE BUT THE LOWER DESIGN PRESSURE FROM THE WINDOWS OR MULLION APPROVAL WILL APPLY YO THE ENTIRE MULLED SYSTEM.
- 12.) SEE SHEET # 5 FOR MULLION/METAL ATTACHMENT DETAILS & OPTIONS.

8501 N.W. 90 ST.
MEDLEY, FLORIDA 33166
PH No. (305) 696-8660

LAMSON INDUSTRIES, INC.

MANUFACTURER OF QUALITY ALUMINUM WINDOWS AND GLASS DOORS

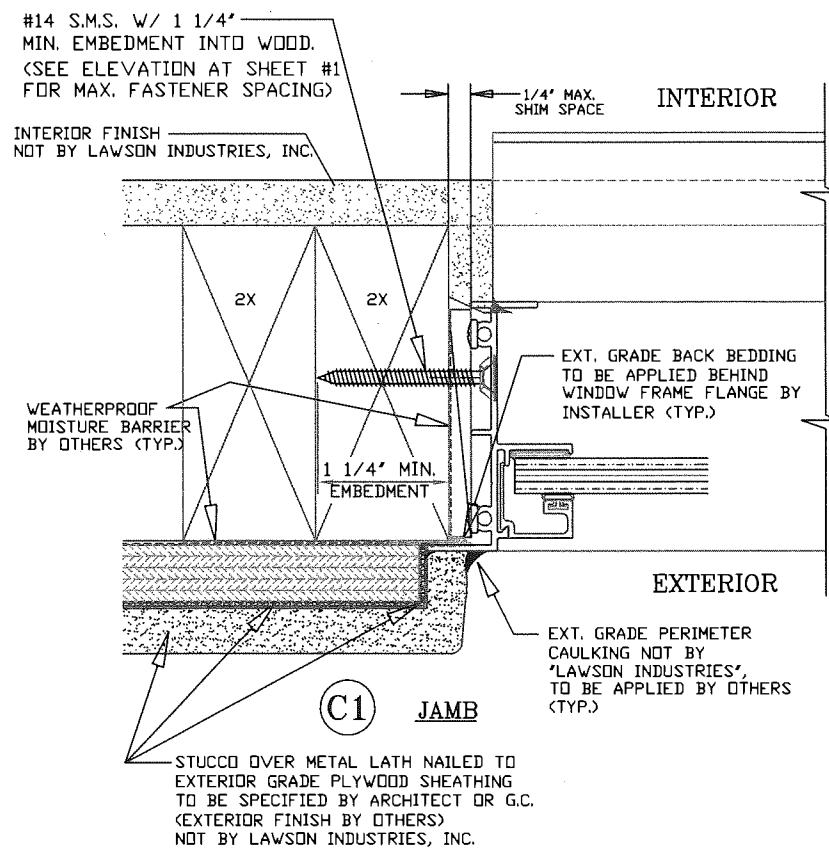
SERIES-4200-6200 FLANGE FRAME IMPACT FIXED WINDOW

APPROVED ELEVATIONS, CONFIGURATIONS AND NOTES

Revision Notes:	A. Revised date for the 2014 FBC	Date Drawn:	02-21-12
	B. Compliance w/ FBC 5th Edition (2014) and ASTM E1300-09	Date Revised:	04/10/20
	C. Compliance w/ 2017 FBC 6th Edition	Scale:	D
	D. Revised to qualify 40Sq.Ft. Window		
Drawn By:	N. ERAZO		
Revised By:	N. ERAZO		
Revision Level:	D		

THOMAS J. SOTOS
PROFESSIONAL ENGINEER
FL LIC # 55225

DATE



WOOD FRAME INSTALLATION DETAIL

PRODUCT REVISED
 as complying with the Florida
 Building Code
 NOA-No. 20-0428.01
 Expiration Date: 08/22/2022
 By: *Manuel Ferrn*
 Miami-Dade Product Control

WINDOW INSTALLATION NOTES:

1. THE WINDOW FRAME FLANGE TO BE BACK-BEDDED W/ AN EXT. GRADE CAULK THROUGHOUT THE ENTIRE PERIMETER OF FLANGE BY WINDOW INSTALLER (TYP.)
2. THE EXPOSED EXT. PERIMETER OF THE WINDOW FRAME TO BE CAULKED AND SEALED W/ AN APPROVED EXTERIOR GRADE CAULK BY OTHERS (TYP.)
3. WOOD BUCK SPECIFIC GRAVITY = 0.55 MIN.
4. CONCRETE COMPRESSIVE STRENGTH = 2KSI MIN.

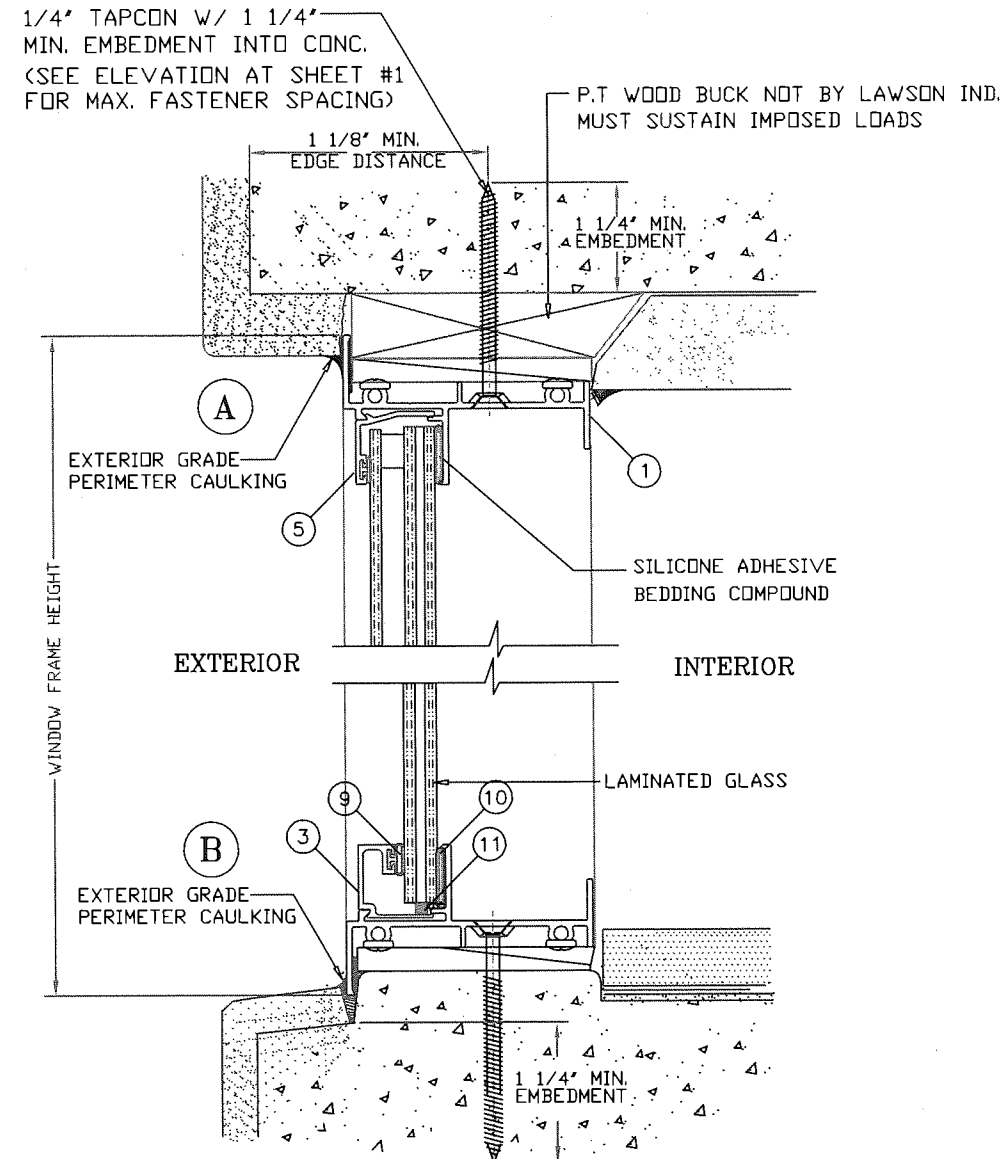
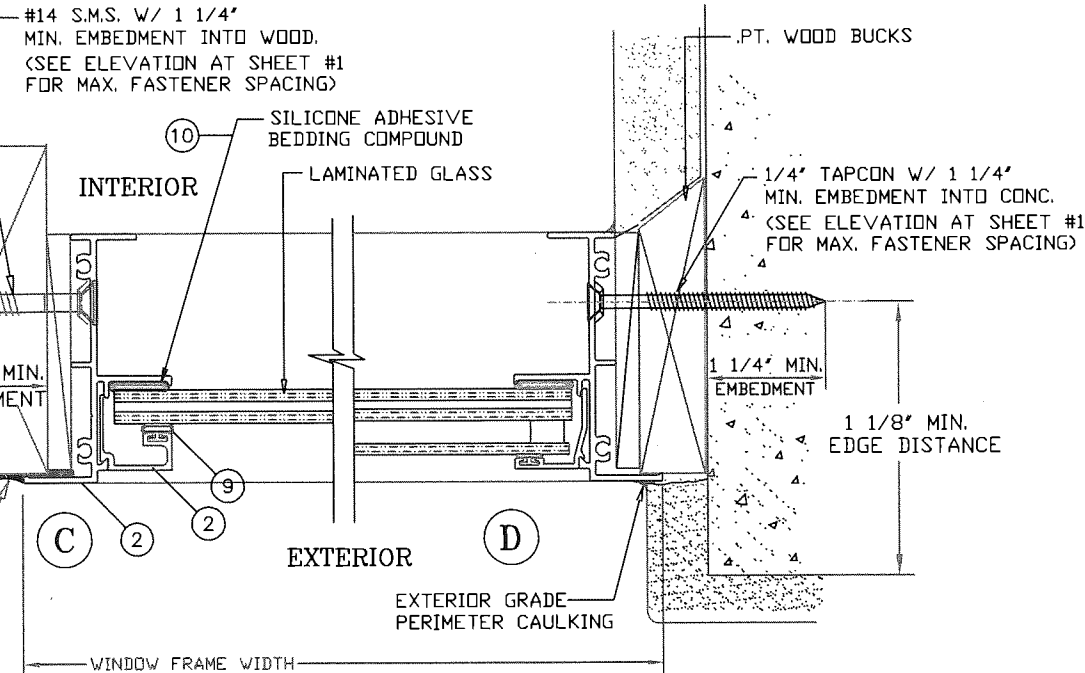
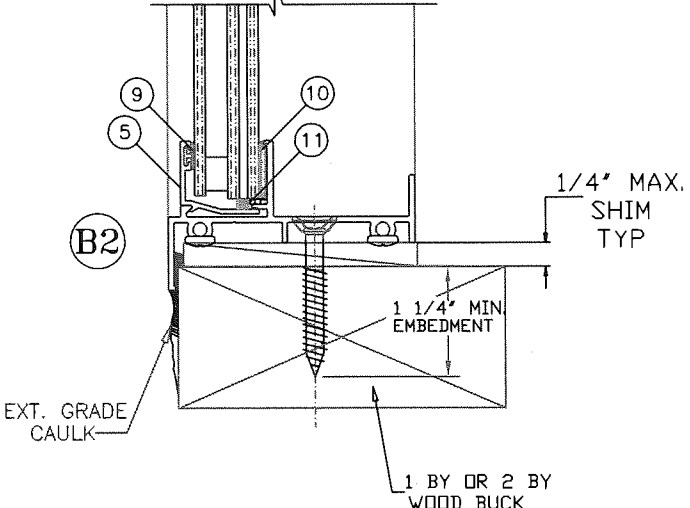
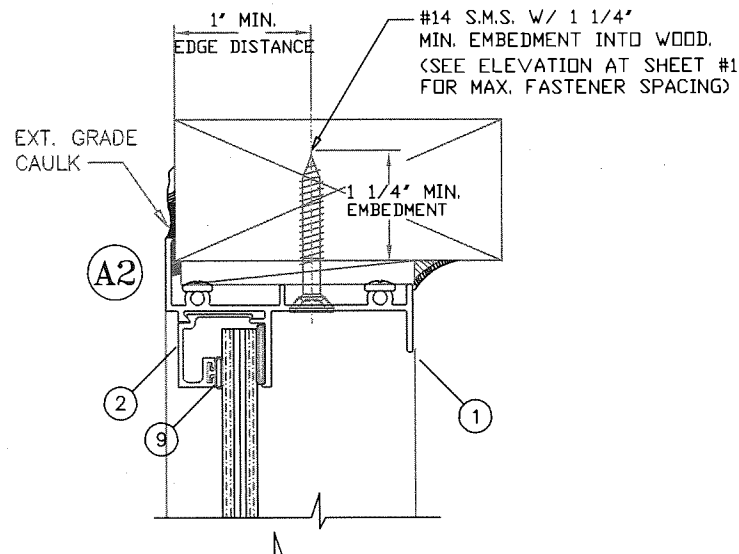
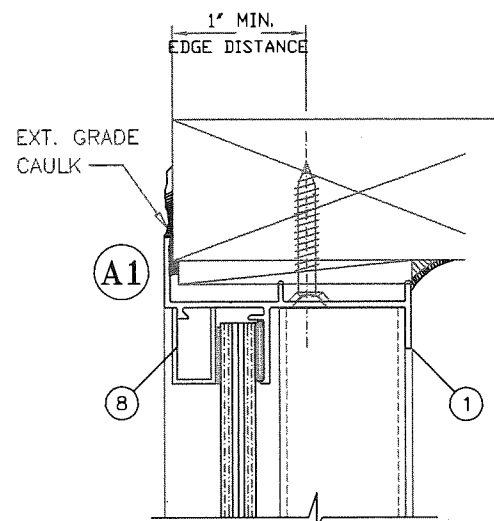
* WHEN THE GAP BETWEEN THE WINDOW FRAME AND THE BUCK OR MASONRY IS LESS THAN 1/8", SHIMS ARE NOT REQUIRED.

ANCHORS NOTE:

ANCHORS TO BE #14 SMS OR WD. SCREWS INTO WOOD, OR 1/4" ITW BUILDDEX TAPCONS or ELCO ULTRACON CONC. FASTENERS INTO CONCRETE (2KSI MIN.), WITH A MINIMUM OF 1 1/4" PENETRATION INTO WOOD OR CONC. AT 12" O.C. MAX.

* TAPCON YIELD STRENGTH: $F_y=100Ksi$
 ULTIMATE STRENGTH: $F_u=125Ksi$

ALL WOOD BUCKS IN CONTACT WITH CONCRETE (NOT BY LAWSON IND.) TO BE PRESSURE TREATED & TO BE REVIEWED BY BLDG. OFFICIAL (TYP.) (SEE GENERAL NOTES AT SHEET #1)



8501 N.W. 90 ST.
 MEDLEY, FLORIDA 33166
 PH No. (305) 696-8660

LAWSON INDUSTRIES, INC.

MANUFACTURER OF QUALITY ALUMINUM WINDOWS AND GLASS DOORS
 SERIES-4200-6200 FLANGE FRAME IMPACT FIXED WINDOW
 WINDOW VERTICAL AND HORIZONTAL CROSS SECTION, DETAILS & NOTES

Revision Notes:	A. Revised date for the 2014 FBC	Date Drawn:	02-21-12
	B. Compliance w/ FBC 5th Edition (2014) and ASTM E1300-09	Date Revised:	04/10/20
	C. Compliance w/ 2017 FBC 6th Edition	Scale:	D
	D. Revised to qualify 40Sq.Ft. Window		
Drawn By:	N. ERAZO		
Revised By:	N. ERAZO		
Revision Level:	D		

THOMAS J. SOTOS
 PROFESSIONAL ENGINEER
 FL. LIC. # 55225

DATE

LAMINATED INSULATED GLASS COMPOSITION TYPE B	
ITEM	DESCRIPTION
1	1/8" ANN. GLASS
2	0.090" SAFLEX PVB by: Eastman Chemical Co.
3	1/8" ANNEALED GLASS
4	1/4" INSULATED AIR SPACE
5 (*)	1/8" ANNEALED OR TEMPERED GLASS

LAMINATED INSULATED GLASS COMPOSITION TYPE C	
ITEM	DESCRIPTION
1	1/8" ANNEALED GLASS
2	0.090" SAFLEX PVB by: Eastman Chemical Co.
3	1/8" ANNEALED GLASS
4	1/4" INSULATED AIR SPACE
5 (*)	3/16" ANNEALED OR TEMPERED GLASS

LAMINATED INSULATED GLASS COMPOSITION TYPE F	
ITEM	DESCRIPTION
1	1/8" HEAT-STRENGTHENED GLASS
2	0.090" TRISIFOL PVB by: Kuraray America, Inc.
3	1/8" HEAT-STRENGTHENED GLASS
4	1/4" INSULATED AIR SPACE
5 (*)	1/8" ANNEALED OR TEMPERED GLASS

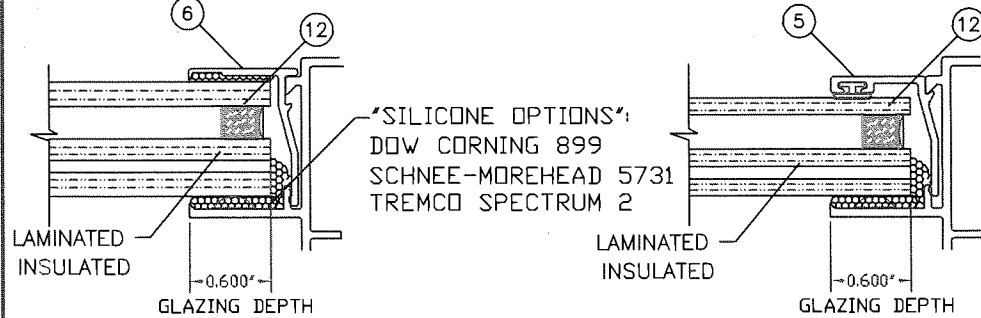
LAMINATED INSULATED GLASS COMPOSITION TYPE G	
ITEM	DESCRIPTION
1	1/8" HEAT-STRENGTHENED GLASS
2	0.090" TRISIFOL PVB by: Kuraray America, Inc.
3	1/8" HEAT-STRENGTHENED GLASS
4	1/4" INSULATED AIR SPACE
5 (*)	3/16" ANNEALED OR TEMPERED GLASS

LAMINATED INSULATED GLASS COMPOSITION TYPE L	
ITEM	DESCRIPTION
1	3/16" HEAT-STRENGTHENED GLASS
2	0.090" TRISIFOL PVB by: Kuraray America, Inc.
3	3/16" HEAT-STRENGTHENED GLASS
4	1/4" INSULATED AIR SPACE
5	3/16" TEMPERED GLASS

Notes:

1.) SEE SHEET 4 FOR DESIGN LOADS LOAD CAPACITY TABLES.

*) WINDOWS WITH GLASS TYPES "B, C, F, OR G" INSTALLED ABOVE 30 FT. IN THE HVHZ, THE I.G. EXTERIOR LITE SHALL BE TEMPERED TO COMPLY WITH THE SMALL MISSILE IMPACT RESISTANCE REQUIREMENTS (FBC-2014, Section 2411.3.3.7).



LAMINATED/INSULATED GLASS TYPICAL GLAZING DETAIL

5/16" LAMINATED GLASS COMPOSITION - TYPE A	
ITEM	GLASS DESCRIPTION
1	1/8" ANNEALED GLASS
2	0.090" TRISIFOL PVB by: Kuraray America, Inc.
3	1/8" ANNEALED GLASS

5/16" LAMINATED GLASS COMPOSITION - TYPE D	
ITEM	GLASS DESCRIPTION
1	1/8" HEAT-STRENGTHENED GLASS
2	0.090" TRISIFOL PVB by: Kuraray America, Inc.
3	1/8" HEAT-STRENGTHENED GLASS

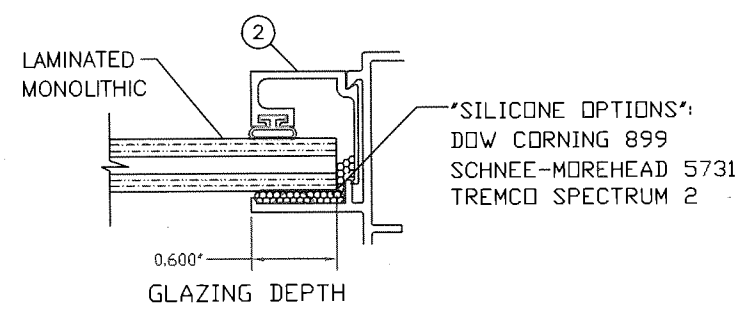
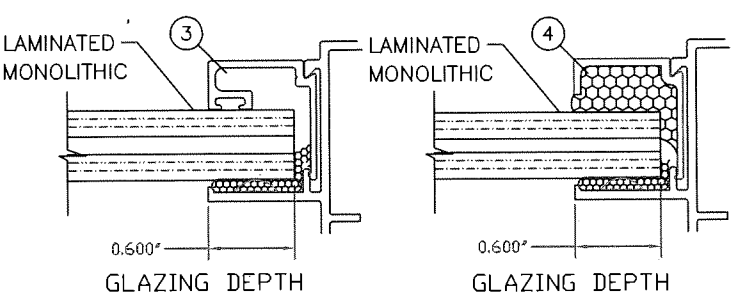
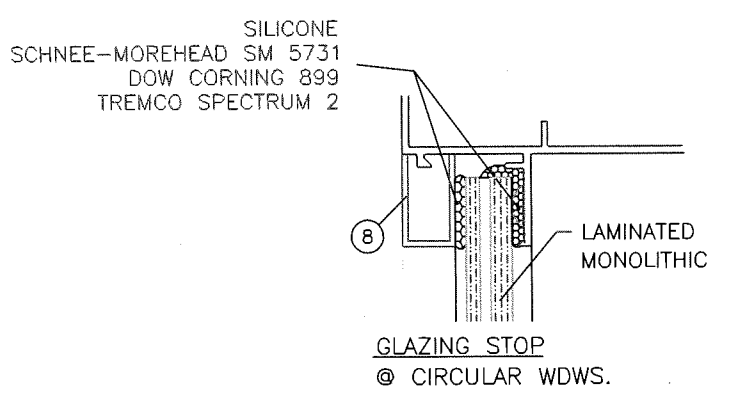
13/32" LAMINATED GLASS COMPOSITION - TYPE E	
ITEM	GLASS DESCRIPTION
1	3/16" HEAT-STRENGTHENED GLASS
2	0.090" SAFLEX PVB by: Eastman Chemical Co.
3	1/8" HEAT-STRENGTHENED GLASS

7/16" LAMINATED GLASS COMPOSITION - TYPE H	
ITEM	GLASS DESCRIPTION
1	3/16" ANNEALED GLASS
2	0.090" SAFLEX PVB by: Eastman Chemical Co.
3	3/16" ANNEALED GLASS

7/16" LAMINATED GLASS COMPOSITION - TYPE I	
ITEM	GLASS DESCRIPTION
1	3/16" ANNEALED GLASS
2	0.090" TRISIFOL PVB by: Kuraray America, Inc.
3	3/16" ANNEALED GLASS

7/16" LAMINATED GLASS COMPOSITION - TYPE J	
ITEM	GLASS DESCRIPTION
1	3/16" HEAT-STRENGTHENED GLASS
2	0.090" SENTRYGLASS by: Kuraray America, Inc.
3	3/16" HEAT-STRENGTHENED GLASS

7/16" LAMINATED GLASS COMPOSITION - TYPE K	
ITEM	GLASS DESCRIPTION
1	3/16" HEAT-STRENGTHENED GLASS
2	0.090" TRISIFOL PVB by: Kuraray America, Inc.
3	3/16" HEAT-STRENGTHENED GLASS



LAMINATED/MONOLITHIC GLASS TYPICAL GLAZING DETAIL

8501 N.W. 90 ST.
MEDLEY, FLORIDA 33166
PH No. (305) 696-8660

LAWSON INDUSTRIES, INC.

MANUFACTURER OF QUALITY ALUMINUM WINDOWS AND GLASS DOORS

SERIES-4200-6200 FLANGE FRAME IMPACT FIXED WINDOW

LAMINATED GLASS TYPES AND GLAZING DETAILS

Product Reference Number: 14200-6200-1201

Drawing Number: 3 OF 5

Revision #: D

Revised date for the 2014 FBC	Date Drawn: 02-21-12
Compliance w/ FBC 5th Edition (2014) and ASTM E1300-09	Date Revised: 04/10/20
Compliance w/ 2017 FBC 6th Edition	Scale:
Revised to qualify 40Sq.Ft. Window	
Drawn By: N. ERAZO	
Revised By: N. ERAZO	
Revision Level: D	

PRODUCT REVISED as complying with the Florida Building Code
NOA-No. 20-0428.01
Expiration Date: 08/22/2022
By: Manuel Fern
Miami-Dade Product Control

THOMAS J. SOTOS
PROFESSIONAL ENGINEER
FL LIC. # 56225

APR 17 2020

4200-6200 FIXED IMPACT WINDOW MODULAR SIZES CHART - DESIGN LOAD CAPACITY - PSF

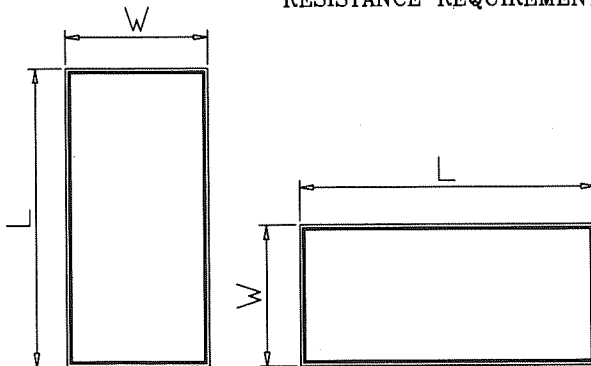
WINDOW DIMS.		GLASS TYPES												
WIDTH (in.)	LENGTH (in.)	A	B	C	D	E	F	G	H	I	J	K	L	
		+/- DP	+/- DP	+/- DP	+/- DP	+/- DP	+/- DP	+/- DP	+/- DP	+/- DP	+/- DP	+/- DP	+/- DP	+/- DP
24"	36"	68	68	68	68	65	68	68	68	68	78	65	68	
30"		68	68	68	68	65	68	68	68	68	78	65	68	
36"		68	68	68	68	65	68	68	68	68	78	65	68	
42"		68	68	68	68	65	68	68	68	68	78	65	68	
48"		68	68	68	68	65	68	68	68	68	78	65	68	
54"		68	68	68	68	65	68	68	68	68	78	65	68	
60"	68	68	68	68	65	68	68	68	68	78	65	68		
24"	48"	68	68	68	68	65	68	68	68	68	78	65	68	
30"		68	68	68	68	65	68	68	68	68	78	65	68	
36"		68	68	68	68	65	68	68	68	68	78	65	68	
42"		68	68	68	68	65	68	68	68	64.7	58.3	78	65	68
48"		68	68	68	68	65	68	68	68	56.6	51	78	65	68
54"		x	x	x	68	65	68	68	68	56.6	51	78	65	68
60"	x	x	x	68	65	68	68	68	x	x	78	65	68	
24"	60"	68	68	68	68	65	68	68	68	68	78	65	68	
30"		68	68	68	68	65	68	68	68	68	78	65	68	
36"		68	68	68	68	65	68	68	68	68	78	65	68	
42"		x	x	x	68	65	68	68	68	64.7	58.3	78	65	68
48"		x	x	x	68	65	68	68	68	x	x	78	65	68
54"		x	x	x	x	65	x	x	x	x	x	78	65	68
60"	x	x	x	x	65	x	x	x	x	x	78	65	68	
24"	72"	68	68	68	68	65	68	68	68	68	78	65	68	
30"		68	68	68	68	65	68	68	68	68	78	65	68	
36"		x	x	x	68	65	68	68	68	65.5	68	78	65	68
42"		x	x	x	x	65	68	x	x	x	x	78	65	68
48"		x	x	x	x	65	x	x	x	x	x	78	65	68
54"		x	x	x	x	65	x	x	x	x	x	74.7	65	68
60"	x	x	x	x	65	x	x	x	x	x	72	65	68	
24"	74"	68	68	68	68	65	68	68	68	68	78	65	68	
30"		68	68	68	68	65	68	68	68	68	78	65	68	
36"		x	x	x	68	65	68	68	68	64.9	68	78	65	68
42"		x	x	x	x	65	x	x	x	x	x	78	65	68
48"		x	x	x	x	65	x	x	x	x	x	75.6	65	68
54"		x	x	x	x	65	x	x	x	x	x	75	65	68
60"	x	x	x	x	65	x	x	x	x	x	75	65	68	
66"	x	x	x	x	x	x	x	x	x	x	75	x	x	
72"	x	x	x	x	x	x	x	x	x	x	75	x	x	
74"	x	x	x	x	x	x	x	x	x	x	75	x	x	
24"	84"	68	68	68	68	65	68	68	68	68	78	65	68	
30"		x	x	x	68	65	68	68	68	68	78	65	68	
36"		x	x	x	x	65	68	x	x	x	x	78	65	68
42"		x	x	x	x	65	x	x	x	x	x	78	65	68
48"		x	x	x	x	65	x	x	x	x	x	75	65	68
54"		x	x	x	x	x	x	x	x	x	x	75	65	x
60"	x	x	x	x	x	x	x	x	x	x	75	x	x	
66"	x	x	x	x	x	x	x	x	x	x	75	x	x	
24"	96"	68	68	68	68	65	68	68	68	68	78	65	68	
30"		x	x	x	68	65	68	68	x	x	78	65	68	
36"		x	x	x	x	65	x	x	x	x	78	65	68	
42"		x	x	x	x	65	x	x	x	x	76.8	65	68	
48"		x	x	x	x	x	x	x	x	x	75	65	x	
54"		x	x	x	x	x	x	x	x	x	75	x	x	
24"	108"	x	x	x	68	65	68	68	68	68	78	65	68	
30"		x	x	x	x	65	x	x	x	x	78	65	68	
36"		x	x	x	x	65	x	x	x	x	75	65	68	
42"		x	x	x	x	x	x	x	x	x	75	65	x	
48"		x	x	x	x	x	x	x	x	x	75	x	x	
24"		120"	x	x	x	68	65	68	68	x	x	78	65	68
30"	x		x	x	x	65	x	x	x	x	78	65	68	
36"	x		x	x	x	65	x	x	x	x	75	65	68	
42"	x		x	x	x	65	x	x	x	x	75	x	x	
48"	x		x	x	x	65	x	x	x	x	75	x	x	
46"	x		x	x	x	x	x	x	x	x	75	x	x	

4200-6200 FIXED IMPACT WINDOW COMMODITY SIZES CHART - DESIGN LOAD CAPACITY - PSF

WINDOW DIMS.		GLASS TYPES												
WIDTH (in.)	LENGTH (in.)	A	B	C	D	E	F	G	H	I	J	K	L	
		+/- DP	+/- DP	+/- DP	+/- DP	+/- DP	+/- DP	+/- DP	+/- DP	+/- DP	+/- DP	+/- DP	+/- DP	+/- DP
19-1/8"	26"	68	68	68	68	65	68	68	68	68	78	65	68	
26-1/2"		68	68	68	68	65	68	68	68	68	78	65	68	
37"		68	68	68	68	65	68	68	68	68	78	65	68	
48"		68	68	68	68	65	68	68	68	68	78	65	68	
53-1/8"		68	68	68	68	65	68	68	68	68	78	65	68	
19-1/8"	38-3/8"	68	68	68	68	65	68	68	68	68	78	65	68	
26-1/2"		68	68	68	68	65	68	68	68	68	78	65	68	
37"		68	68	68	68	65	68	68	68	66.2	66.2	78	65	68
48"		68	68	68	68	65	68	68	68	63.8	63.8	78	65	68
53-1/8"		68	68	68	68	65	68	68	68	63.8	63.8	78	65	68
19-1/8"	50-5/8"	68	68	68	68	65	68	68	68	68	78	65	68	
26-1/2"		68	68	68	68	65	68	68	68	68	78	65	68	
37"		68	68	68	68	65	68	68	68	66.2	66.2	78	65	68
48"		x	x	x	68	65	68	68	x	51	78	65	68	
53-1/8"		x	x	x	68	65	68	68	x	x	78	65	68	
19-1/8"	58"	68	68	68	68	65	68	68	68	68	78	65	68	
26-1/2"		68	68	68	68	65	68	68	68	68	78	65	68	
37"		68	68	68	68	65	68	68	68	x	66.2	78	65	68
48"		x	x	x	68	65	68	68	x	x	78	65	68	
53-1/8"		x	x	x	x	65	x	x	x	x	78	65	68	
19-1/8"	63"	68	68	68	68	65	68	68	68	68	78	65	68	
26-1/2"		68	68	68	68	65	68	68	68	68	78	65	68	
37"		x	x	x	68	65	68	68	x	66.2	78	65	68	
48"		x	x	x	x	65	68	68	x	x	78	65	68	
53-1/8"		x	x	x	x	65	x	x	x	x	78	65	68	
19-1/8"	74"	68	68	68	68	65	68	68	68	68	78	65	68	
26-1/2"		68	68	68	68	65	68	68	68	x	68	78	65	68
37"		x	x	x	68	65	68	68	x	x	78	65	68	
48"		x	x	x	x	65	x	x	x	x	75.6	65	68	
53-1/8"		x	x	x	x	65	x	x	x	x	75	65	68	
63"	x	x	x	x	65	x	x	x	x	75	65	x		
74-1/4"	x	x	x	x	65	x	x	x	x	75	x	x		
19-1/8"	74-1/4"	68	68	68	68	65	68	68	68	68	78	65	68	
26-1/2"		68	68	68	68	65	68	68	68	x	68	78	65	68
37"		x	x	x	68	65	68	68	x	x	78	65	68	
48"		x	x	x	x	65	x	x	x	x	75.2	65	68	
53-1/8"		x	x	x	x	65	x	x	x	x	75	65	68	
74"	x	x	x	x	x	x	x	x	x	75	x	x		
76"	76"	x	x	x	x	x	x	x	x	x	75	x	x	

Notes (*):

- 1.) SEE SHEET 3 FOR GLAZING TYPES, DETAILS & SILICONE OPTIONS.
- * 2.) WINDOWS WITH GLASS TYPES "B, C, F, OR G" INSTALLED ABOVE 30 FT. IN THE HVHZ, THE I.G. EXTERIOR LITE SHALL BE TEMPERED TO COMPLY WITH THE SMALL MISSILE IMPACT RESISTANCE REQUIREMENTS (FBC-2014, Section 2411.3.3.7).



NOTE:
WIDTH AND LENGTH DIMENSIONS CAN BE ORIENTED VERTICALLY OR HORIZONTALLY AS SHOWN ABOVE.

PRODUCT REVISED
as complying with the Florida
Building Code
NOA-No. 20-0428.01
Expiration Date: 08/22/2022
By: Manuel Ferrn
Miami-Dade Product Control

THOMAS J. SOTOS
PROFESSIONAL ENGINEER
FL LIC. # 56225
STATE OF FLORIDA
NOV 15 2022

LAWSON INDUSTRIES, INC.
8501 N.W. 90 ST.
MEDLEY, FLORIDA 33166
PH No. (305) 696-8660

MANUFACTURER OF QUALITY ALUMINUM WINDOWS AND GLASS DOORS
SERIES-4200-6200 FLANGE FRAME IMPACT FIXED WINDOW
LAMINATED GLASS DESIGN PRESSURE CHARTS

Revised date for the 2014 FBC
A. Compliance w/ FBC 5th Edition (2014)
and ASTM E1300-09

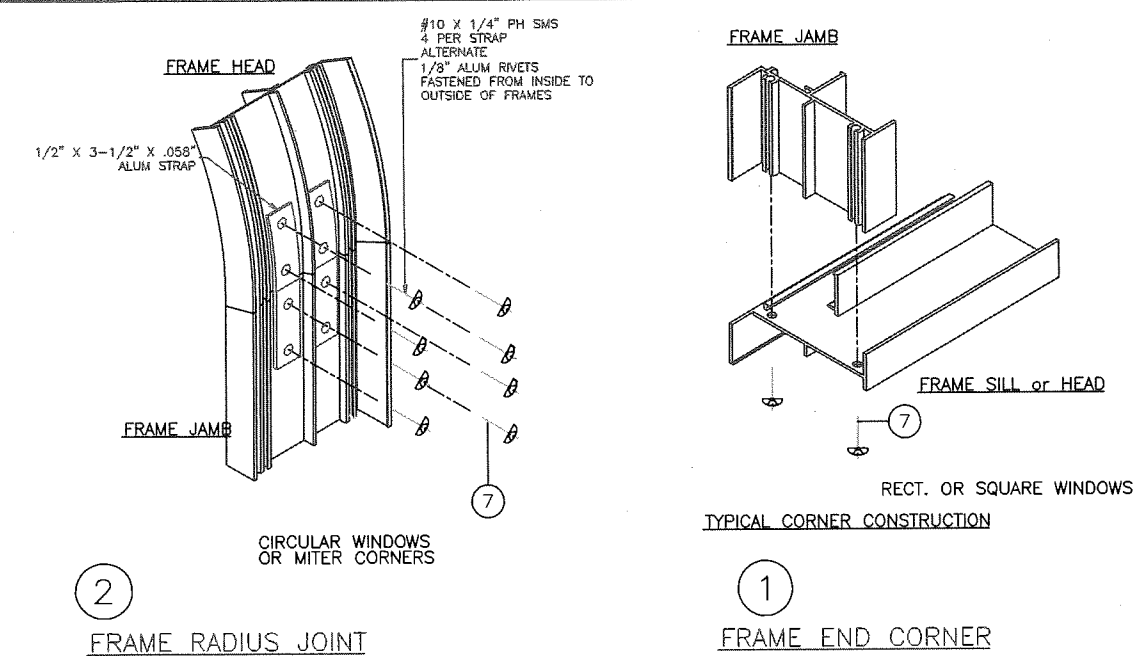
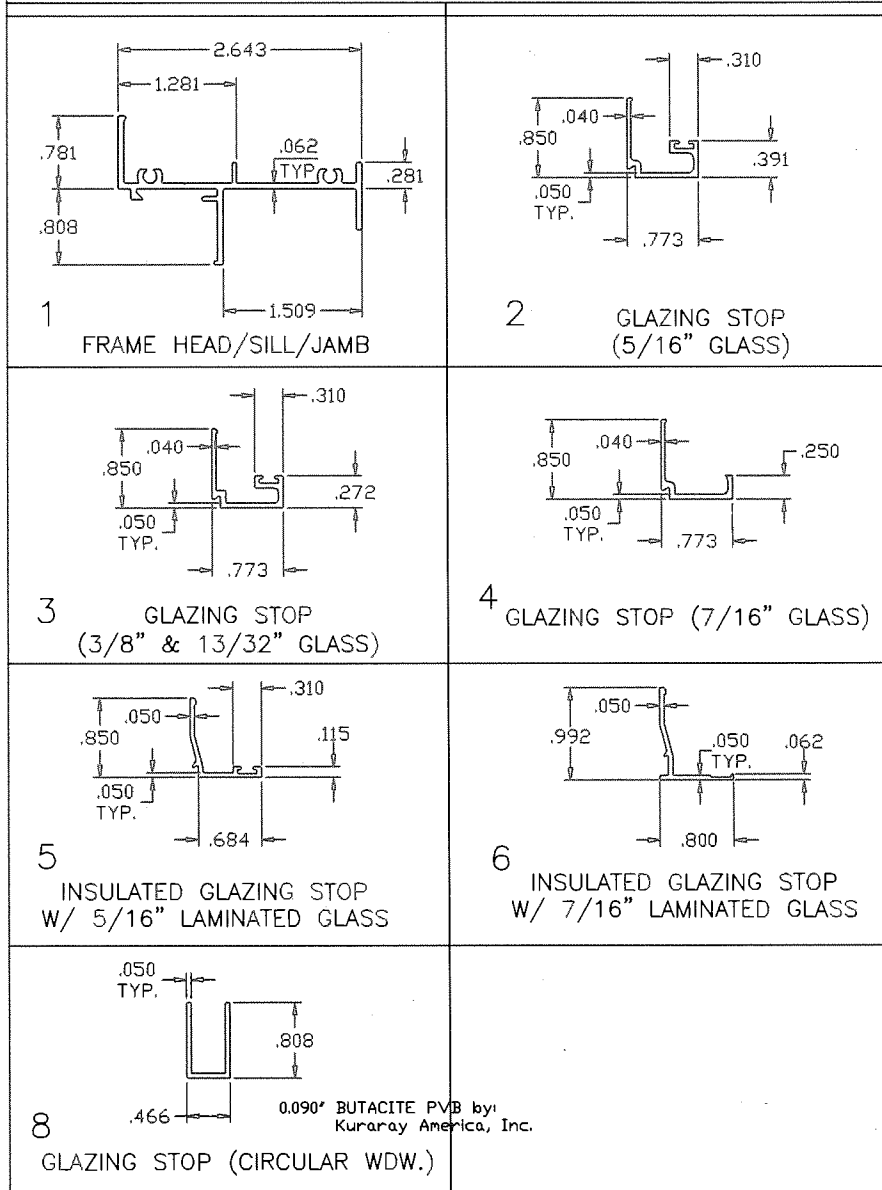
Compliance w/ 2017 FBC 6th Edition
D. Revised to qualify 40Sq.Ft. Window

Drawn By:	N. ERAZO	Date Drawn:	02-21-12
Revised By:	N. ERAZO	Date Revised:	04/10/20
Revision Level:	D	Scale:	

BILL OF MATERIALS

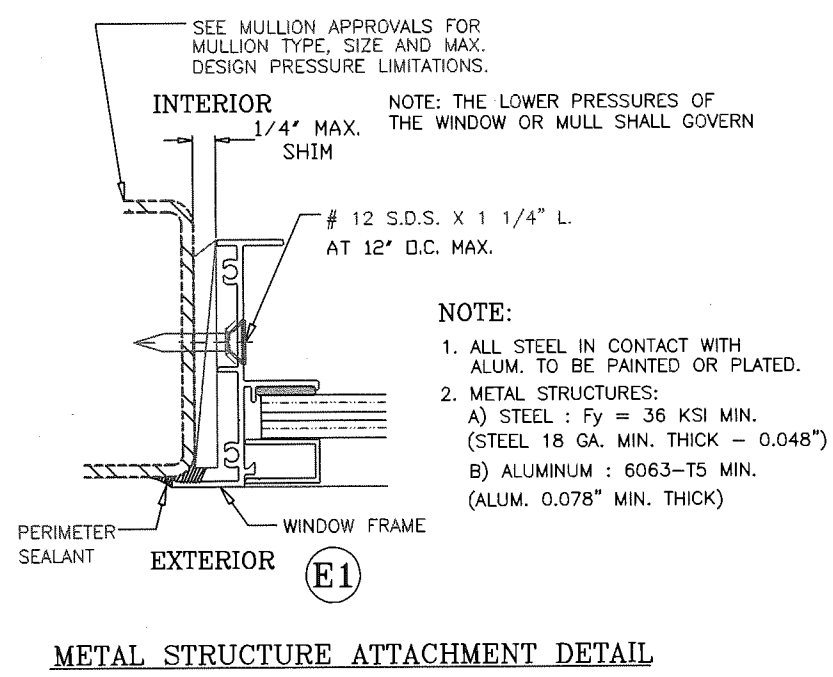
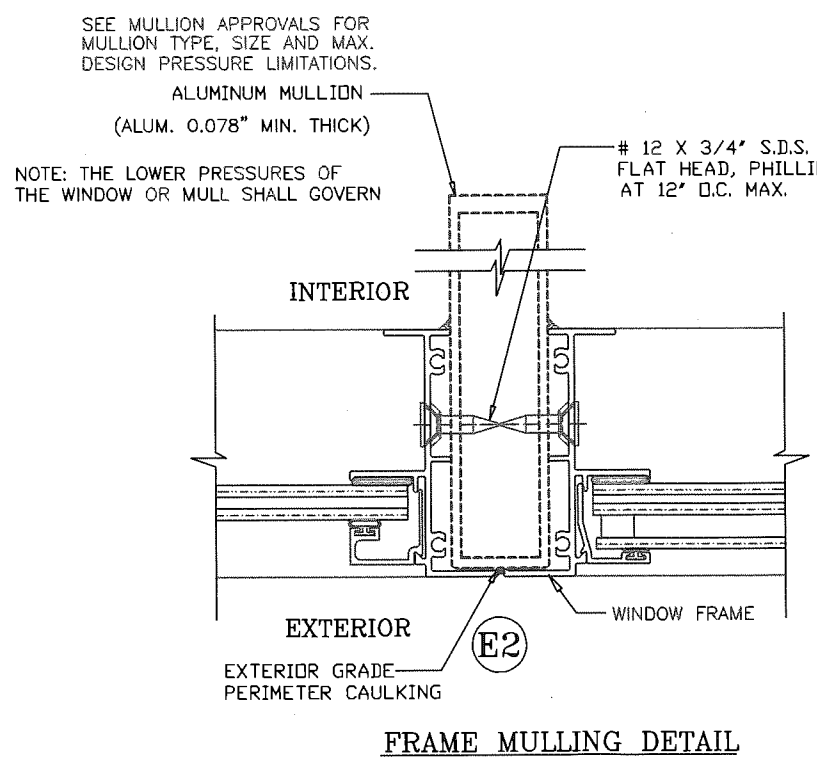
ITEM	PART #	QUANTITY	DESCRIPTION	MATERIAL	REMARKS
1	L-4201	2	FRAME HEAD/SILL/JAMB	6063-T6	-
2	L-7708	4	GLAZING BEAD (5/16" GLASS)	6063-T6	-
3	L-7708	4	GLAZING BEAD (3/8" & 13/32" GLASS)	6063-T6	-
4	L-7708 TRIMMED	4	GLAZING BEAD (7/16" GLASS)	6063-T6	-
5	L-7711	4	GLAZING BEAD (5/16" GLASS- INSULATED)	6063-T6	-
6	L-6211	4	GLAZING BEAD (7/16" GLASS - INSULATED)	6063-T6	-
7	#8 X 3/4"	2/ CORNER	ASSEMBLY SCREWS	-	P.H. PHILLIPS
8	L-4204	AS REQD.	GLAZING BEAD AT CIRCULAR WDWs.	6063-T5	-
9	VWS-004	AS REQD.	GLAZING GASKET	SOFT PVC	-
10	*	AS REQD.	GLAZING SILICONE	*	-
11	PL 75.6020	AS REQD.	GLAZING SETTING BLOCK	SOFT PVC	1/8" X 1/8" X 2"
12	812-25H-357	AS REQD.	"TruSeal" Dura Seal Swiggle Spacer	1/4" BLACK	1/4" AIR SPACE

WINDOW FRAME EXTRUSION DETAILS



FRAME CORNER & JOINT DETAILS

SEALANT:
 FRAME CORNERS, OR JOINTS SEALED WITH A COLORED SEALANT AND PERIMETER OF GLAZING BEAD WITH CLEAR SILICONE



PRODUCT REVISED
 as complying with the Florida Building Code
 NOA-No. 20-0428.01
 Expiration Date: 08/22/2022
 By: *Manuel Fern*
 Miami-Dade Product Control

LAWSON INDUSTRIES, INC.

8501 N.W. 90 ST.
 MEDLEY, FLORIDA 33166
 PH No. (305) 696-8660

MANUFACTURER OF QUALITY ALUMINUM WINDOWS AND GLASS DOORS

SERIES-4200-6200 FLANGE FRAME IMPACT FIXED WINDOW

BILL OF MATERIALS, EXTRUSION DETAILS & CORNER ASSEMBLY DETAILS

Revised date for the 2014 FBC	Date Drawn: 02-21-12
Compliance w/ FBC 5th Edition (2014) and ASTM E1300-09	Date Revised: 04/10/20
Compliance w/ 2017 FBC 6th Edition	Scale: D
Revised to qualify 405sq.Ft. Window	
Drawn By: N. ERAZO	
Reviewed By: N. ERAZO	
Revision Level: D	

THOMAS J. SOTOS
 PROFESSIONAL ENGINEER
 FL LIC. # 55225

DATE