



DEPARTMENT OF REGULATORY AND ECONOMIC RESOURCES (RER)  
BOARD AND CODE ADMINISTRATION DIVISION

**NOTICE OF ACCEPTANCE (NOA)**

MIAMI-DADE COUNTY, FLORIDA  
PRODUCT CONTROL SECTION

11805 SW 26 Street, Room 208  
T (786) 315-2590 F (786) 315-2599

[www.miamidade.gov/economy](http://www.miamidade.gov/economy)

**Lawson Industries, Inc.**  
8501 NW 90<sup>th</sup> Street  
Medley, FL 33166

**SCOPE:**

This NOA is being issued under the applicable rules and regulations governing the use of construction materials. The documentation submitted has been reviewed and accepted by Miami-Dade County RER-Product Control Section to be used in Miami-Dade County and other areas where allowed by the Authority Having Jurisdiction (AHJ).

This NOA shall not be valid after the expiration date stated below. The Miami-Dade County Product Control Section (In Miami-Dade County) and/ or the AHJ (in areas other than Miami-Dade County) reserve the right to have this product or material tested for quality assurance purposes. If this product or material fails to perform in the accepted manner, the manufacturer will incur the expense of such testing and the AHJ may immediately revoke, modify, or suspend the use of such product or material within their jurisdiction. RER reserves the right to revoke this acceptance, if it is determined by Miami-Dade County Product Control Section that this product or material fails to meet the requirements of the applicable building code. This product is approved as described herein, and has been designed to comply with the Florida Building Code, including the High Velocity Hurricane Zone.

**DESCRIPTION: Series "4300/ 6300 Fin-Frame" Aluminum Fixed Window – L.M.I.**

**APPROVAL DOCUMENT:** Drawing No. L4300-6300-1201, titled "Series-4300-6300 Fin-Frame Impact Fixed Window", sheets 01 through 05 of 05, dated 02/21/12 with revision "B" dated 05/12/17, prepared by manufacturer, signed and sealed by Thomas J. Sotos, P. E., bearing the Miami-Dade County Product Control Section Revision stamp with the Notice of Acceptance number and Expiration date by the Miami-Dade County Product Control Section.

**MISSILE IMPACT RATING: Large and Small Missile Impact Resistant**

**LABELING:** Each unit shall bear a permanent label with the manufacturer's name or logo, city, state, series, and following statement: "Miami-Dade County Product Control Approved", unless otherwise noted herein.

**RENEWAL** of this NOA shall be considered after a renewal application has been filed and there has been no change in the applicable building code negatively affecting the performance of this product.

**TERMINATION** of this NOA will occur after the expiration date or if there has been a revision or change in the materials, use, and/ or manufacture of the product or process. Misuse of this NOA as an endorsement of any product, for sales, advertising or any other purposes shall automatically terminate this NOA. Failure to comply with any section of this NOA shall be cause for termination and removal of NOA.

**ADVERTISEMENT:** The NOA number preceded by the words Miami-Dade County, Florida, and followed by the expiration date may be displayed in advertising literature. If any portion of the NOA is displayed, then it shall be done in its entirety.

**INSPECTION:** A copy of this entire NOA shall be provided to the user by the manufacturer or its distributors and shall be available for inspection at the job site at the request of the Building Official.

This NOA **revises and renews** NOA No. 14-0908.17 and consists of this page 1 and evidence pages E-1, E-2 and E-3, as well as approval document mentioned above.

The submitted documentation was reviewed by **Jorge M. Plasencia, P. E.**



*JMP 7/19/17*

NOA No. 17-0531.04  
Expiration Date: July 19, 2022  
Approval Date: July 20, 2017


NOTICE OF ACCEPTANCE: EVIDENCE SUBMITTED

**A. DRAWINGS**

1. Manufacturer's die drawings and sections.  
*(Submitted under NOA No. 12-0416.10)*
2. Drawing No. **L4300-6300-1201**, titled "Series-4300-6300 Fin Frame Impact Fixed Window", sheets 01 through 05 of 05, dated 02/21/12 with revision "B" dated 05/12/17, prepared by manufacturer, signed and sealed by Thomas J. Sotos, P. E.

**B. TESTS**

1. Test reports on: 1) Large Missile Impact Test per FBC, TAS 201-94  
2) Cyclic Wind Pressure Loading per FBC, TAS 203-94  
along with marked-up drawings and installation diagram of an arch- and a rectangular fin-frame fixed window, prepared by Hurricane Engineering & Testing, Inc., Test Reports No.'s **HETI-12-4011**, dated 03/14/12 and **HETI-11-3362**, dated 03/14/12, all signed and sealed by Rafael Droz-Seda, P. E.  
*(Submitted under NOA No. 12-0416.10)*
2. Test reports on: 1) Air Infiltration Test, per FBC, TAS 202-94  
2) Uniform Static Air Pressure Test, Loading per FBC, TAS 202-94  
3) Water Resistance Test, per FBC, TAS 202-94  
along with marked-up drawings and installation diagram of a circular arch fin-frame fixed window, prepared by Hurricane Engineering & Testing, Inc., Test Report No. **HETI-08-2026**, dated 10/23/08, signed and sealed by Candido F. Font, P. E.  
*(Submitted under NOA No. 12-0416.10)*
3. Test reports on: 1) Uniform Static Air Pressure Test, Loading per FBC, TAS 202-94  
along with marked-up drawings and installation diagram of a rectangular fin-frame fixed window, prepared by Hurricane Engineering & Testing, Inc., Test Reports No.'s **HETI-07-4379**, dated 10/23/08 and **HETI-08-2218A**, dated 11/18/08, all signed and sealed by Candido F. Font, P. E.  
*(Submitted under NOA No. 12-0416.10)*
4. Test reports on: 1) Large Missile Impact Test per FBC, TAS 201-94  
2) Cyclic Wind Pressure Loading per FBC, TAS 203-94  
along with marked-up drawings and installation diagram of a rectangular-, a circular arch- and an elliptical arch fin-frame fixed window, prepared by Hurricane Engineering & Testing, Inc., Test Reports No.'s **HETI-09-2540**, dated 09/04/09, **HETI-09-2538**, dated 09/04/09, **HETI-09-2539**, dated 09/04/09, **HETI-09-2536**, dated 09/04/09, **HETI-08-2027**, dated 10/23/08, **HETI-08-2029**, dated 10/23/08, **HETI-08-2030**, dated 10/23/08 and **HETI-08-2218B**, dated 11/18/08, all signed and sealed by Candido F. Font, P. E.  
*(Submitted under NOA No. 12-0416.10)*

  
\_\_\_\_\_  
Jorge M. Plasencia, P. E.  
Product Control Unit Supervisor  
NOA No. 17-0531.04  
Expiration Date: July 19, 2022  
Approval Date: July 20, 2017

NOTICE OF ACCEPTANCE: EVIDENCE SUBMITTED

**C. CALCULATIONS**

1. Anchor verification calculations and structural analysis, complying with **FBC-2014, 5<sup>th</sup> edition**, prepared by manufacturer, dated 09/02/14, signed and sealed by Thomas J. Sotos, P. E.  
*(Submitted under previous NOA No. 14-0908.17)*
2. **Glazing complies with ASTM E1300-04/ 09**

**D. QUALITY ASSURANCE**


1. Miami-Dade Department of Regulatory and Economic Resources (RER).

**E. MATERIAL CERTIFICATIONS**

1. Notice of Acceptance No. **16-1117.01** issued to **Kuraray America, Inc.** for their "**Trosifol® Ultraclear, Clear and Color PVB Glass Interlayers**" dated 01/19/17, expiring on 07/08/19.
2. Notice of Acceptance No. **14-0423.15** issued to **Eastman Chemical Company (MA)** for their "**Saflex CP – Saflex and Saflex HP Composite Glass Interlayers with PET Core**" dated 06/19/14, expiring on 11/11/18.

**F. STATEMENTS**

1. Statement letter of conformance to and complying with **FBC 5<sup>th</sup> Edition (2014)**, issued by manufacturer, dated 05/23/17, signed and sealed by Thomas J. Sotos, P. E.
2. Statement letter of no financial interest, issued by manufacturer, dated 04/11/12, signed and sealed by Thomas J. Sotos, P.E.  
*(Submitted under NOA No. 12-0416.10)*
3. Laboratory compliance letter for Test Reports No.'s **HETI-08-2026**, dated 10/23/08, **HETI-08-2026**, dated 10/23/08, **HETI-09-2539**, dated 09/04/09, **HETI-07-4379**, dated 10/23/08, **HETI-08-2218A**, dated 11/18/08, **HETI-09-2540**, dated 09/04/09, **HETI-09-2538**, dated 09/04/09, **HETI-09-2536**, dated 09/04/09, **HETI-08-2027**, dated 10/23/08, **HETI-08-2029**, dated 10/23/08, **HETI-08-2030**, dated 10/23/08 and **HETI-08-2218B**, dated 11/18/08, all issued by Hurricane Engineering & Testing, Inc., signed and sealed by Candido F. Font, P. E.  
*(Submitted under NOA No. 12-0416.10)*
4. Laboratory compliance letter for Test Reports No.'s **HETI-12-4011**, dated 03/14/12 and **HETI-11-3362**, dated 03/14/12, all issued by Hurricane Engineering & Testing, Inc., signed and sealed by Rafael Droz-Seda, P. E.  
*(Submitted under NOA No. 12-0416.10)*

  
\_\_\_\_\_  
**Jorge M. Plasencia, P. E.**  
**Product Control Unit Supervisor**  
**NOA No. 17-0531.04**  
**Expiration Date: July 19, 2022**  
**Approval Date: July 20, 2017**

Lawson Industries, Inc.


NOTICE OF ACCEPTANCE: EVIDENCE SUBMITTED

**F. STATEMENTS**

5. Proposal No. **07-2527** issued by Product Control, dated 03/29/07, signed by Manuel Perez, P. E.  
*(Submitted under NOA No. 12-0416.10)*

**G. OTHERS**

1. Notice of Acceptance No. **14-0908.17**, issued to Lawson Industries, Inc. for their Series "**4300/ 6300 Fin-Frame**" Aluminum Fixed Window – L.M.I.", approved on 11/27/14 and expiring on 0719/17.



---

Jorge M. Plasencia, P. E.  
Product Control Unit Supervisor  
NOA No. 17-0531.04  
Expiration Date: July 19, 2022  
Approval Date: July 20, 2017

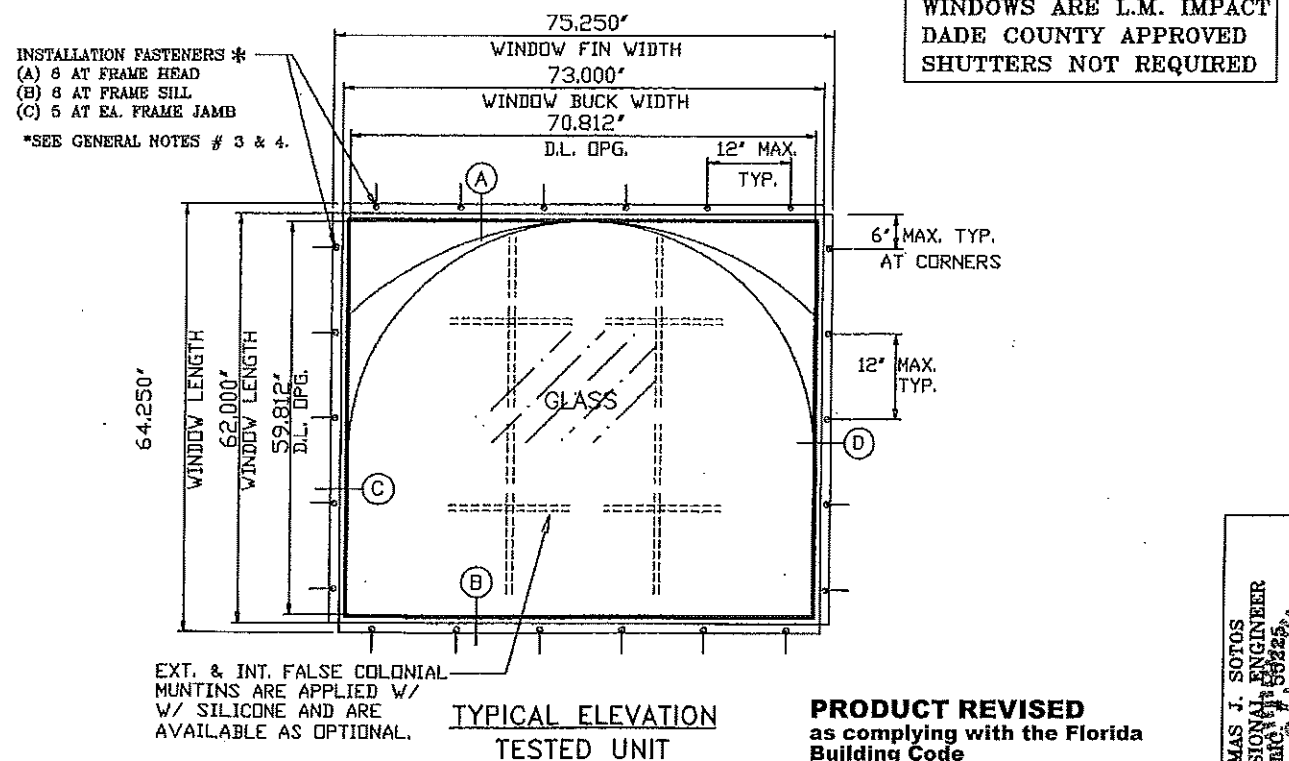
**SERIES-4300/6300 FIXED IMPACT WINDOW - FIN FRAME**

**APPROVED WINDOW ELEVATIONS (L.M.IMPACT)**

<p>WINDOW HEIGHT</p> <p>WINDOW WIDTH</p> <p>HALF-ROUND TYPICAL ELEVATION</p>	<p>WINDOW HEIGHT</p> <p>LEG HT.</p> <p>WINDOW WIDTH</p> <p>ARCHED PICTURE WINDOW</p>	<p>WINDOW HEIGHT</p> <p>WINDOW WIDTH</p> <p>QUARTER-ROUND ELEVATION</p>
<p>WINDOW HEIGHT</p> <p>WINDOW WIDTH</p> <p>OCTAGON TYPICAL ELEVATION</p>	<p>WINDOW HEIGHT</p> <p>WINDOW WIDTH</p> <p>QUARTER-ROUND ELEVATION</p>	<p>WINDOW HEIGHT</p> <p>WINDOW WIDTH</p> <p>HEXAGON TYPICAL ELEVATION</p>
<p>WINDOW HEIGHT</p> <p>WINDOW WIDTH</p> <p>RECTANGULAR TYPICAL ELEVATION</p>	<p>WINDOW HEIGHT</p> <p>WINDOW WIDTH</p> <p>SQUARE PICTURE WINDOW ELEVATION</p>	<p>WINDOW HEIGHT</p> <p>WINDOW WIDTH</p> <p>FULL ROUND TYPICAL ELEVATION</p>
<p>WINDOW HEIGHT</p> <p>WINDOW WIDTH</p> <p>RECTANGULAR TYPICAL ELEVATION</p>	<p>WINDOW HEIGHT</p> <p>LEG HT.</p> <p>WINDOW WIDTH</p> <p>SQUARE PICTURE WINDOW ELEVATION</p>	<p>WINDOW HEIGHT</p> <p>WINDOW WIDTH</p> <p>OVAL TYPICAL ELEVATION</p>
<p>WINDOW HEIGHT</p> <p>LEG HT.</p> <p>WINDOW WIDTH</p> <p>LEGGED EYE BROW ELEVATION</p>	<p>WINDOW HEIGHT</p> <p>WINDOW WIDTH</p> <p>"ELLIPTICAL" TYPICAL ELEVATION</p>	<p>ALLOWABLE LOADS FOR ALTERNATE SHAPES AS SHOWN, CAN BE VERIFIED BY INSCRIBING PICTURE WINDOW SHAPE WITHIN A SQUARE OR RECTANGLE, AS SHOW IN DOTTED LINES AND OBTAINING ALLOWABLE LOADS FROM THOSE SHAPES. PROVIDED PERIMETER FASTENERS ARE AS DESCRIBED HEREIN FOR SIZE AND SPACING.</p>

**General Notes:**

- 1.) THIS WINDOW SYSTEM IS DESIGNED AND TESTED TO COMPLY WITH THE REQUIREMENTS OF THE 2014 FLORIDA BUILDING CODE 5th Edition INCLUDING HIGH VELOCITY HURRICANE ZONE VELOCITY (HVHZ) AND ASTM 1300-09. THIS PRODUCT IS IMPACT RESISTANT. (SHUTTERS NOT REQUIRED)
- 2.) WOOD BUCKS SHALL BE INSTALLED AND ANCHORED SO THAT THE BUILDING RESISTS THE SUPERIMPOSED LOADS IN ACCORDANCE WITH THE REQUIREMENTS OF 2014 F.B.C. & TO BE REVIEWED BY BUILDING OFFICIAL.
- 3.) ANCHORS SHOWN ABOVE ARE AS PER TEST UNITS. ANCHORS ON ALL WINDOW SIZES ARE NOT TO EXCEED THESE MAXIMUM SPACINGS ON CENTER (O.C.) .
- 4.) ANCHOR CONDITIONS NOT DESCRIBED IN THESE DRAWING'S ARE TO BE ENGINEERED ON A SITE SPECIFIC BASIS, UNDER SEPARATE APPROVAL AND TO BE REVIEWED BY BUILDING OFFICIAL.
- 5.) WINDOWS ARE QUALIFIED FOR USE WITH SINGLE GLAZE LAMINATED GLASS TYPES TABULATED HEREIN (SEE SHEET #3 & 4), AND FOR USE WITH DOUBLE GLAZE LAMINATED INSULATED GLASS TYPES TABULATED HEREIN (SEE SHEET #3 & 4).
- 6.) WINDOWS WITH GLASS TYPES "E, F, G, OR H" INSTALLED ABOVE 30ft. IN THE HVHZ, THE I.G. EXTERIOR LITE SHALL BE TEMPERED TO COMPLY WITH THE SMALL MISSILE IMPACT RESISTANCE REQUIREMENTS (FBC-2014, Section 2411.3.3.7).
- 7.) FOR OPTIONAL FRAME INSTALLATION DETAILS SEE SHEETS 2 & 5.
- 8.) EXT. & INT. FALSE COLONIAL MUNTINS ARE OPTIONAL & AND ARE APPLIED W/ SILICONE
- 9.) WOOD BUCKS IN CONTACT WITH CONCRETE MUST BE PRESSURE TREATED AND ANCHORED (BY OTHERS), PRIOR TO WINDOW INSTALLATION.
- 10.) APPROVAL APPLIES TO SINGLE UNITS, SIDE BY SIDE OR TOP STACKED MULLED UNITS.
- 11.) MULLING FIXED WINDOWS WITH OTHER TYPES OF MIAMI-DADE COUNTY APPROVED PRODUCTS USING A MIAMI-DADE COUNTY APPROVED MULLION IN BETWEEN ARE ACCEPTABLE BUT THE LOWER DESIGN PRESSURE FROM THE WINDOWS OR MULLION APPROVAL WILL APPLY YO THE ENTIRE MULLED SYSTEM.
- 12.) SEE SHEET # 5 FOR MULLION/METAL ATTACHMENT DETAILS & OPTIONS.



WINDOWS ARE L.M. IMPACT DADE COUNTY APPROVED SHUTTERS NOT REQUIRED

**LAWSON INDUSTRIES, INC.**  
MANUFACTURER OF QUALITY ALUMINUM WINDOWS AND GLASS DOORS  
8501 N.W. 90 ST.  
MEDLEY, FLORIDA 33166  
PH No. (305) 696-8660

SERIES-4300-6300 FIN FRAME IMPACT FIXED WINDOW  
APPROVED ELEVATIONS, CONFIGURATIONS AND NOTES

Product Reference Number: L4300-6300-1201  
Drawing Number: 1 OF 5  
Revision #:

Revision Notes:  
A. Revised date for the 2014 FBC  
B. Compliance w/ FBC 5th Edition (2014) and ASTM E1300-09

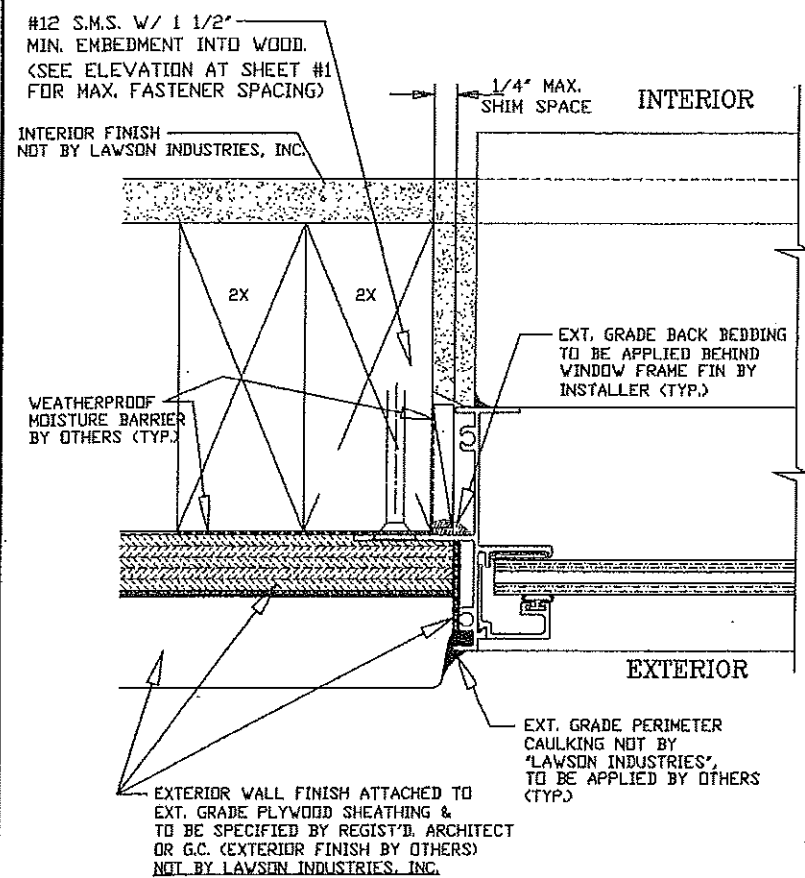
Drawn By: N. ERAZO  
Revised By: N. ERAZO  
Revision Level: B

Date Drawn: 02-21-12  
Date Revised: 05/12/17  
Scale:

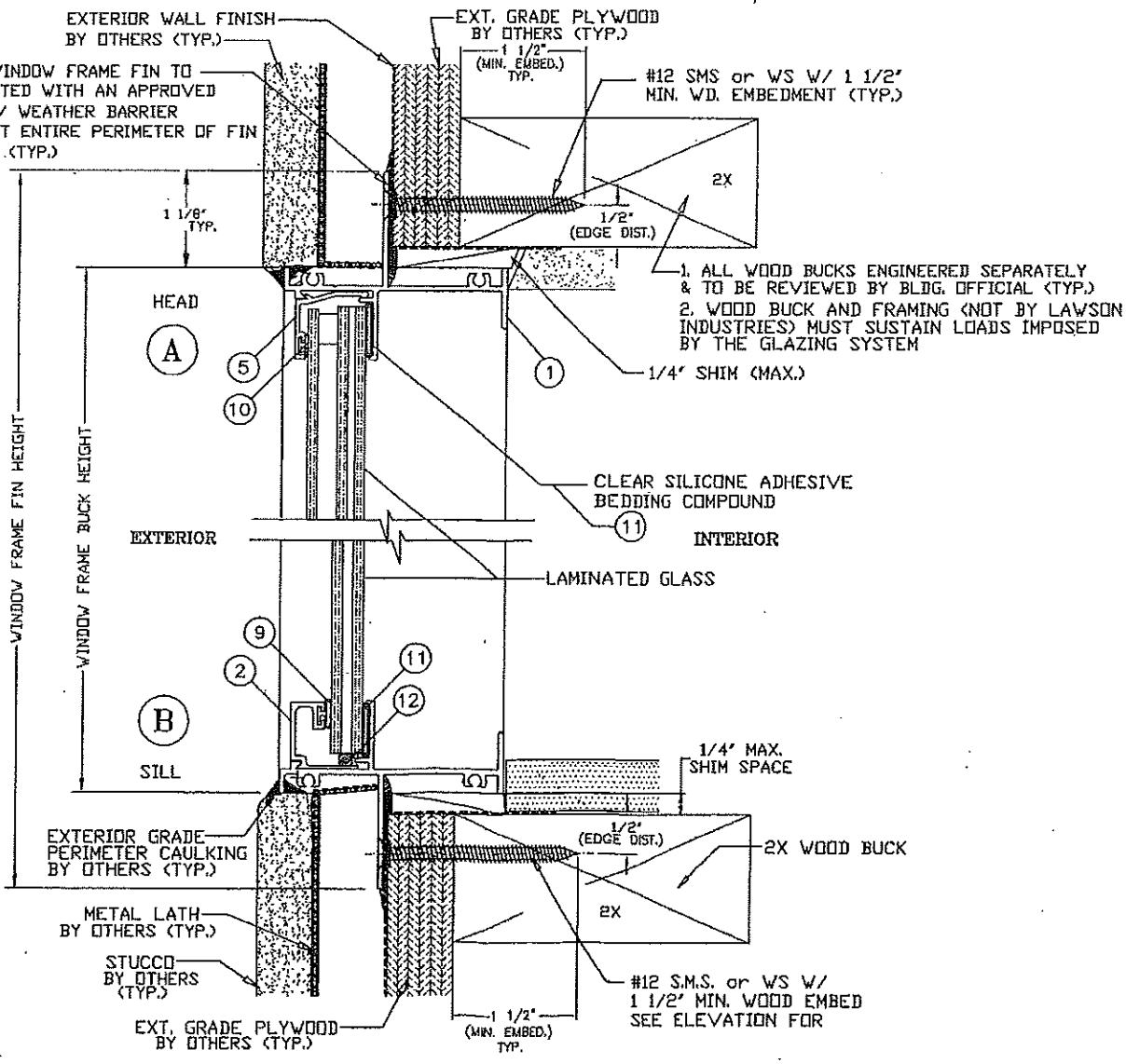
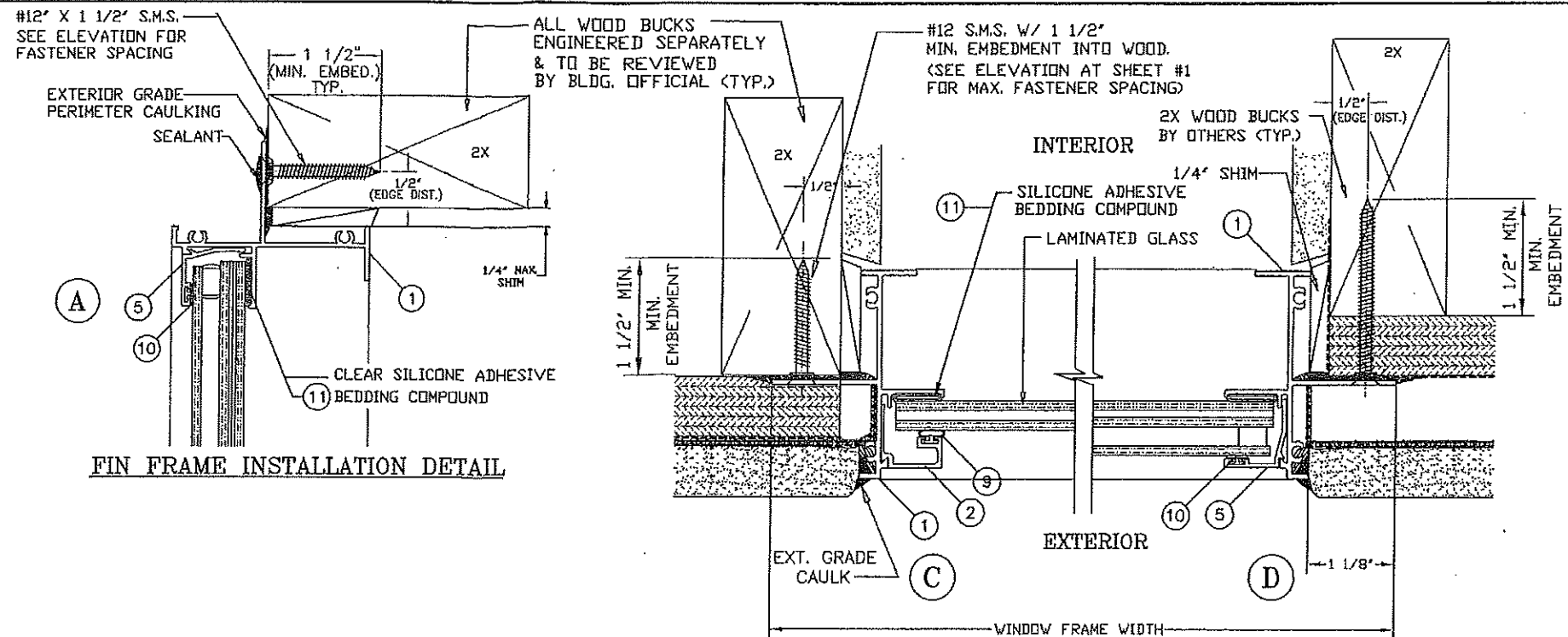
THOMAS J. SOTOS  
PROFESSIONAL ENGINEER  
FLORIDA  
LICENSE NO. 55225  
STATE OF FLORIDA  
PROFESSIONAL ENGINEER

DATE

PRODUCT REVISED as complying with the Florida Building Code  
NOA-No. 17-0531.04  
Expiration Date 07/19/2022  
By [Signature]  
Miami-Dade Product Control



**(C1) WOOD FRAME INSTALLATION DETAIL**



**WINDOW INSTALLATION NOTES:**

1. THE WINDOW OPENING MUST BE PROTECTED WITH A CODE APPROVED FELT OR MOISTURE/WEATHER BARRIER, APPROX. 12" WIDE THROUGHOUT ENTIRE PERIMETER OF THE WINDOW MOUNTING FIN, (NOT BY LAWSON INDUSTRIES)
2. THE WINDOW FRAME FIN TO BE BACK-BEDDED W/ AN EXT. GRADE CAULK THROUGHOUT THE ENTIRE PERIMETER OF FIN BY WINDOW INSTALLER (TYP.)
3. THE EXPOSED EXT. PERIMETER OF THE WINDOW FRAME TO BE SEALED W/ AN APPROVED EXTERIOR GRADE CAULK BY OTHERS (TYP.)

\* WHEN THE GAP BETWEEN THE WINDOW FRAME AND THE BUCK OR MASONRY IS LESS THAN 1/8", SHIMS ARE NOT REQUIRED.

**ANCHORS NOTE:**

ANCHORS TO BE #12 SMS OR WD. SCREWS INTO WOOD, WITH A MINIMUM OF 1 1/2" PENETRATION INTO 2x WOOD AT 12" O.C. MAX.

**LAWSON INDUSTRIES, INC.**

MANUFACTURER OF QUALITY ALUMINUM WINDOWS AND GLASS DOORS

8501 N.W. 90 ST.  
MEDLEY, FLORIDA 33166  
PH No. (305) 696-8660

**SERIES-4300-6300 FIN FRAME IMPACT FIXED WINDOW**

WINDOW VERTICAL AND HORIZONTAL CROSS SECTION, DETAILS & NOTES

Drawing Number: L4300-6300-1201  
Sheet: 2 OF 5  
Revision #: 1

Revision Notes:	
A.	Revised date for the 2014 FBC
B.	Compliance w/ FBC 5th Edition (2014) and ASTM E1300-09
Drawn By:	N. ERAZO
Date Drawn:	02-21-12
Revised By:	N. ERAZO
Date Revised:	05/12/17
Revision Level:	B

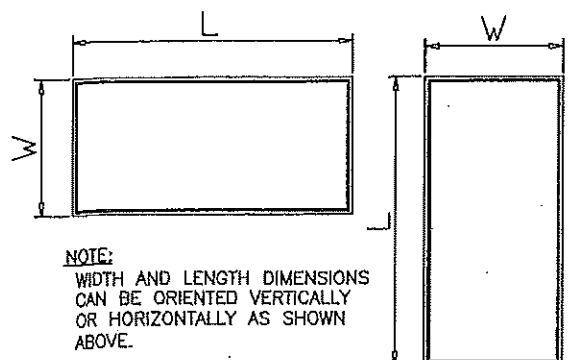
**THOMAS J. SOTOS**  
PROFESSIONAL ENGINEER  
FL LIC. # 56225

**PRODUCT REVISED**  
as complying with the Florida Building Code  
NOA-No. **17-0531.04**  
Expiration Date **07/19/2022**

By *[Signature]*  
Miami-Dade Product Control

DATE

DESIGN LOAD CAPACITY - PSF													
WINDOW BUCK DIMS		GLASS TYPE 'A'		GLASS TYPE 'B'		GLASS TYPE 'D'		GLASS TYPE 'E'		GLASS TYPE 'F'		GLASS TYPE 'G' & 'H'	
WIDTH	LENGTH	EXT. (+)	INT. (-)	EXT. (+)	INT. (-)	EXT. (+)	INT. (-)	EXT. (+)	INT. (-)	EXT. (+)	INT. (-)	EXT. (+)	INT. (-)
18-1/8"	25"	66.00	66.00	66.00	66.00	60.00	60.00	60.00	60.00	57.00	57.00	60.00	60.00
25-1/2"		66.00	66.00	66.00	66.00	60.00	60.00	60.00	60.00	57.00	57.00	60.00	60.00
36"		66.00	66.00	66.00	66.00	60.00	60.00	60.00	60.00	57.00	57.00	60.00	60.00
47"		66.00	66.00	66.00	66.00	60.00	60.00	60.00	60.00	57.00	57.00	60.00	60.00
52-1/8"		66.00	66.00	66.00	66.00	60.00	60.00	60.00	60.00	57.00	57.00	60.00	60.00
62"	66.00	66.00	66.00	66.00	60.00	60.00	60.00	60.00	57.00	57.00	60.00	60.00	
18-1/8"	37-3/8"	66.00	66.00	66.00	66.00	60.00	60.00	60.00	60.00	57.00	57.00	60.00	60.00
25-1/2"		66.00	66.00	66.00	66.00	60.00	60.00	60.00	60.00	57.00	57.00	60.00	60.00
36"		66.00	66.00	66.00	66.00	60.00	60.00	60.00	60.00	57.00	57.00	60.00	60.00
47"		66.00	66.00	66.00	66.00	60.00	60.00	60.00	60.00	57.00	57.00	60.00	60.00
52-1/8"		66.00	66.00	66.00	66.00	60.00	60.00	60.00	60.00	57.00	57.00	60.00	60.00
62"	66.00	66.00	66.00	66.00	60.00	60.00	60.00	60.00	57.00	57.00	60.00	60.00	
18-1/8"	49-5/8"	66.00	66.00	66.00	66.00	60.00	60.00	60.00	60.00	57.00	57.00	60.00	60.00
25-1/2"		66.00	66.00	66.00	66.00	60.00	60.00	60.00	60.00	57.00	57.00	60.00	60.00
36"		66.00	66.00	66.00	66.00	60.00	60.00	60.00	60.00	57.00	57.00	60.00	60.00
47"		66.00	66.00	66.00	66.00	60.00	60.00	60.00	60.00	57.00	57.00	60.00	60.00
52-1/8"		53.00	53.00	52.00	52.00	60.00	60.00	-	-	57.00	57.00	60.00	60.00
62"	-	-	-	-	60.00	60.00	-	-	-	-	60.00	60.00	
18-1/8"	57"	66.00	66.00	66.00	66.00	60.00	60.00	60.00	60.00	57.00	57.00	60.00	60.00
25-1/2"		66.00	66.00	66.00	66.00	60.00	60.00	60.00	60.00	57.00	57.00	60.00	60.00
36"		66.00	66.00	66.00	66.00	60.00	60.00	60.00	60.00	57.00	57.00	60.00	60.00
47"		53.00	53.00	52.00	52.00	60.00	60.00	-	-	57.00	57.00	60.00	60.00
52-1/8"		-	-	-	-	60.00	60.00	-	-	-	-	60.00	60.00
62"	-	-	-	-	60.00	60.00	-	-	-	-	60.00	60.00	
18-1/8"	62"	66.00	66.00	66.00	66.00	60.00	60.00	60.00	60.00	57.00	57.00	60.00	60.00
25-1/2"		66.00	66.00	66.00	66.00	60.00	60.00	60.00	60.00	57.00	57.00	60.00	60.00
36"		57.00	57.00	52.00	52.00	60.00	60.00	-	-	57.00	57.00	60.00	60.00
47"		-	-	-	-	60.00	60.00	-	-	57.00	57.00	60.00	60.00
52-1/8"		-	-	-	-	60.00	60.00	-	-	-	-	60.00	60.00
62"	-	-	-	-	60.00	60.00	-	-	-	-	60.00	60.00	
18-1/8"	73"	66.00	66.00	66.00	66.00	60.00	60.00	60.00	60.00	57.00	57.00	60.00	60.00
25-1/2"		66.00	66.00	66.00	66.00	60.00	60.00	60.00	60.00	57.00	57.00	60.00	60.00
36"		53.00	53.00	52.00	52.00	60.00	60.00	-	-	57.00	57.00	60.00	60.00
47"		-	-	-	-	60.00	60.00	-	-	-	-	60.00	60.00
52-1/8"		-	-	-	-	60.00	60.00	-	-	-	-	60.00	60.00
62"	-	-	-	-	60.00	60.00	-	-	-	-	60.00	60.00	
18-1/8"	73-1/4"	66.00	66.00	66.00	66.00	60.00	60.00	60.00	60.00	57.00	57.00	60.00	60.00
25-1/2"		66.00	66.00	66.00	66.00	60.00	60.00	60.00	60.00	57.00	57.00	60.00	60.00
36"		53.00	53.00	52.00	52.00	60.00	60.00	-	-	57.00	57.00	60.00	60.00
47"		-	-	-	-	60.00	60.00	-	-	-	-	60.00	60.00
52-1/8"		-	-	-	-	60.00	60.00	-	-	-	-	60.00	60.00



NOTE:  
GLASS CAPACITIES ON THIS SHEET ARE BASED ON  
A: ASTM E1300-04

5/16" LAMINATED GLASS COMPOSITION - TYPE A		
ITEM	GLASS DESCRIPTION	DETAIL
1	1/8" ANNEALED GLASS	
2	0.090" BUTACITE PVB by Kuraray America, Inc.	
3	1/8" ANNEALED GLASS	

5/16" LAMINATED GLASS COMPOSITION - TYPE B		
ITEM	GLASS DESCRIPTION	DETAIL
1	1/8" HEAT-STRENGTHENED GLASS	
2	0.090" BUTACITE PVB by Kuraray America, Inc.	
3	1/8" HEAT-STRENGTHENED GLASS	

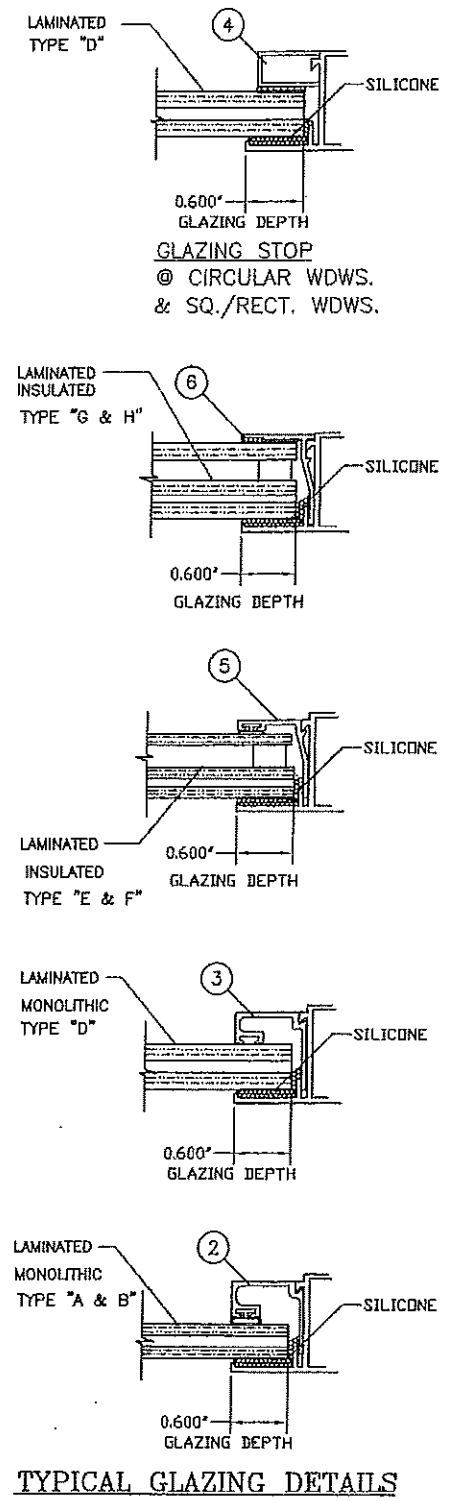
7/16" LAMINATED GLASS COMPOSITION - TYPE D		
ITEM	GLASS DESCRIPTION	DETAIL
1	3/16" HEAT-STRENGTHENED GLASS	
2	0.090" BUTACITE PVB by Kuraray America, Inc.	
3	3/16" HEAT-STRENGTHENED GLASS	

LAMINATED INSULATED GLASS COMPOSITION TYPE E		
ITEM	DESCRIPTION	DETAIL
1	1/8" ANNEALED GLASS	
2	0.090" BUTACITE PVB by Kuraray America, Inc.	
3	1/8" ANNEALED GLASS	
4	1/4" INSULATED AIR SPACE	
5	1/8" ANNEALED GLASS	

LAMINATED INSULATED GLASS COMPOSITION TYPE F		
ITEM	DESCRIPTION	DETAIL
1	1/8" ANNEALED GLASS	
2	0.090" SAFLEX PVB by Eastman Chemical Co.	
3	1/8" ANNEALED GLASS	
4	1/4" INSULATED AIR SPACE	
5	1/8" HEAT-STRENGTHENED GLASS	

LAMINATED INSULATED GLASS COMPOSITION TYPE G		
ITEM	DESCRIPTION	DETAIL
1	3/16" HEAT-STRENGTHENED GLASS	
2	0.090" BUTACITE PVB by Kuraray America, Inc.	
3	3/16" HEAT-STRENGTHENED GLASS	
4	1/4" INSULATED AIR SPACE	
5	3/16" ANNEALED GLASS	

LAMINATED INSULATED GLASS COMPOSITION TYPE H		
ITEM	DESCRIPTION	DETAIL
1	1/8" ANNEALED GLASS	
2	0.090" SAFLEX PVB by Eastman Chemical Co.	
3	1/8" ANNEALED GLASS	
4	1/4" INSULATED AIR SPACE	
5	3/16" ANNEALED GLASS	



**LAWSON INDUSTRIES, INC.**

8501 N.W. 90 ST.  
MEDLEY, FLORIDA 33166  
PH No. (305) 696-8660

MANUFACTURER OF QUALITY ALUMINUM WINDOWS AND GLASS DOORS

SERIES-4300-6300 FIN FRAME IMPACT FIXED WINDOW

INSULATED-LAMINATED GLASS DESIGN PRESSURE CHARTS

Product Reference Number: L4300-6300-1201

Drawing Number: 3 OF 5

Revision #: 3 OF 5

Revision Notes:  
A. Revised date for the 2014 FBC  
B. Compliance w/ FBC 5th Edition (2014) and ASTM E1300-09

Drawn By: N. ERAZO  
Date Drawn: 02-21-12  
Revised By: N. ERAZO  
Date Revised: 05/12/17  
Revision Level: B

Scale: B

DATE

PROFESSIONAL ENGINEER  
THOMAS J. SOTOS  
P.E. LIC. # 55225

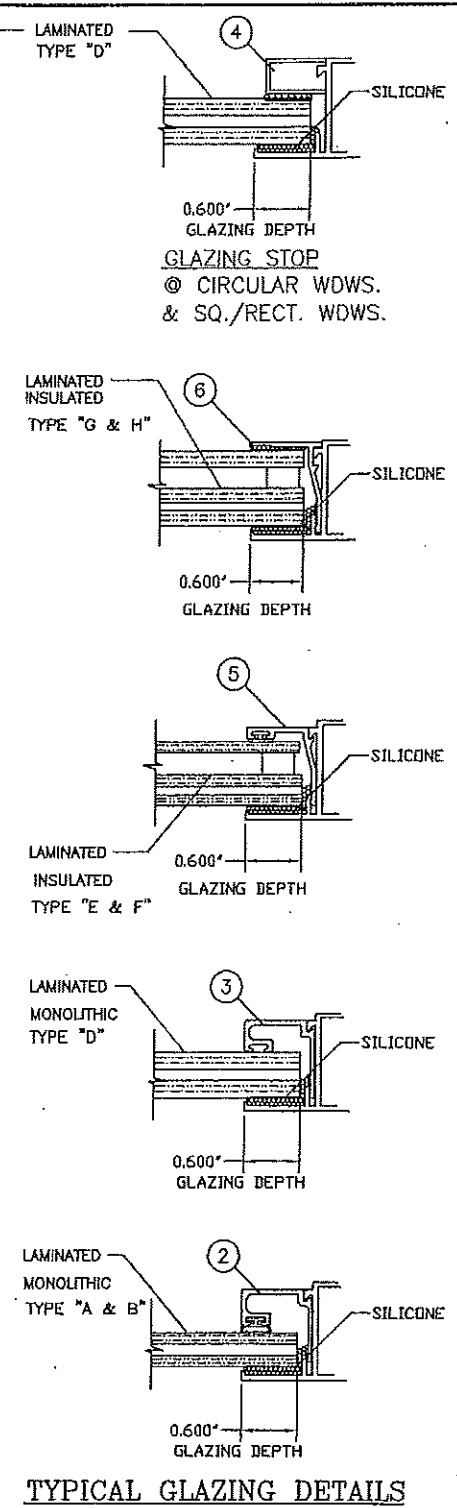
PRODUCT REVISED  
as complying with the Florida Building Code  
NOA-No. 17-0531.04  
Expiration Date 07/19/2022  
By Miami-Dade Product Control



DESIGN LOAD CAPACITY - PSF													
WINDOW BUCK DIMS		GLASS TYPE 'A'		GLASS TYPE 'B'		GLASS TYPE 'D'		GLASS TYPE 'E'		GLASS TYPE 'F'		GLASS TYPE 'G' & 'H'	
WIDTH	LENGTH	EXT. (+)	INT. (-)	EXT. (+)	INT. (-)	EXT. (+)	INT. (-)	EXT. (+)	INT. (-)	EXT. (+)	INT. (-)	EXT. (+)	INT. (-)
23"	35"	66.00	66.00	66.00	66.00	60.00	60.00	60.00	60.00	57.00	57.00	60.00	60.00
29"		66.00	66.00	66.00	66.00	60.00	60.00	60.00	60.00	57.00	57.00	60.00	60.00
35"		66.00	66.00	66.00	66.00	60.00	60.00	60.00	60.00	57.00	57.00	60.00	60.00
41"		66.00	66.00	66.00	66.00	60.00	60.00	60.00	60.00	57.00	57.00	60.00	60.00
47"		66.00	66.00	66.00	66.00	60.00	60.00	60.00	60.00	57.00	57.00	60.00	60.00
53"		66.00	66.00	66.00	66.00	60.00	60.00	60.00	60.00	57.00	57.00	60.00	60.00
59"	66.00	66.00	66.00	66.00	60.00	60.00	60.00	60.00	57.00	57.00	60.00	60.00	
23"	47"	66.00	66.00	66.00	66.00	60.00	60.00	60.00	60.00	57.00	57.00	60.00	60.00
29"		66.00	66.00	66.00	66.00	60.00	60.00	60.00	60.00	57.00	57.00	60.00	60.00
35"		66.00	66.00	66.00	66.00	60.00	60.00	60.00	60.00	57.00	57.00	60.00	60.00
41"		66.00	66.00	66.00	66.00	60.00	60.00	60.00	60.00	57.00	57.00	60.00	60.00
47"		66.00	66.00	66.00	66.00	60.00	60.00	60.00	60.00	57.00	57.00	60.00	60.00
53"		66.00	66.00	66.00	66.00	60.00	60.00	60.00	60.00	57.00	57.00	60.00	60.00
59"	53.00	53.00	52.00	52.00	60.00	60.00	-	-	57.00	57.00	60.00	60.00	
23"	59"	66.00	66.00	66.00	66.00	60.00	60.00	60.00	60.00	57.00	57.00	60.00	60.00
29"		66.00	66.00	66.00	66.00	60.00	60.00	60.00	60.00	57.00	57.00	60.00	60.00
35"		66.00	66.00	66.00	66.00	60.00	60.00	60.00	60.00	57.00	57.00	60.00	60.00
41"		57.00	57.00	52.00	52.00	60.00	60.00	-	-	57.00	57.00	60.00	60.00
47"		53.00	53.00	52.00	52.00	60.00	60.00	-	-	57.00	57.00	60.00	60.00
53"		-	-	-	-	60.00	60.00	-	-	-	-	60.00	60.00
59"	-	-	-	-	60.00	60.00	-	-	-	-	60.00	60.00	
23"	71"	66.00	66.00	66.00	66.00	60.00	60.00	60.00	60.00	57.00	57.00	60.00	60.00
29"		66.00	66.00	66.00	66.00	60.00	60.00	60.00	60.00	57.00	57.00	60.00	60.00
35"		55.80	55.80	52.00	52.00	60.00	60.00	60.00	60.00	57.00	57.00	60.00	60.00
41"		-	-	-	-	60.00	60.00	-	-	-	-	60.00	60.00
47"		-	-	-	-	60.00	60.00	-	-	-	-	60.00	60.00
53"		-	-	-	-	60.00	60.00	-	-	-	-	60.00	60.00
59"	-	-	-	-	60.00	60.00	-	-	-	-	60.00	60.00	
23"	73"	66.00	66.00	66.00	66.00	60.00	60.00	60.00	60.00	57.00	57.00	60.00	60.00
29"		66.00	66.00	66.00	66.00	60.00	60.00	60.00	60.00	57.00	57.00	60.00	60.00
35"		53.90	53.90	52.00	52.00	60.00	60.00	-	-	57.00	57.00	60.00	60.00
41"		-	-	-	-	60.00	60.00	-	-	-	-	60.00	60.00
47"		-	-	-	-	60.00	60.00	-	-	-	-	60.00	60.00
53"		-	-	-	-	60.00	60.00	-	-	-	-	60.00	60.00
59"	-	-	-	-	60.00	60.00	-	-	-	-	60.00	60.00	
23"	83"	66.00	66.00	66.00	66.00	60.00	60.00	60.00	60.00	57.00	57.00	60.00	60.00
29"		54.70	54.70	52.00	52.00	60.00	60.00	-	-	57.00	57.00	60.00	60.00
35"		-	-	-	-	60.00	60.00	-	-	-	-	60.00	60.00
41"		-	-	-	-	60.00	60.00	-	-	-	-	60.00	60.00
47"	-	-	-	-	60.00	60.00	-	-	-	-	60.00	60.00	
23"	95"	66.00	66.00	66.00	66.00	60.00	60.00	60.00	60.00	57.00	57.00	60.00	60.00
29"		49.70	49.70	52.00	52.00	60.00	60.00	-	-	57.00	57.00	60.00	60.00
35"		-	-	-	-	60.00	60.00	-	-	-	-	60.00	60.00
41"		-	-	-	-	60.00	60.00	-	-	-	-	60.00	60.00
23"	107"	57.00	57.00	52.00	52.00	60.00	60.00	-	-	57.00	57.00	60.00	60.00
29"		-	-	-	-	60.00	60.00	-	-	-	-	60.00	60.00
35"		-	-	-	-	60.00	60.00	-	-	-	-	60.00	60.00
23"	119"	53.00	53.00	52.00	52.00	60.00	60.00	-	-	57.00	57.00	60.00	60.00
29"		-	-	-	-	60.00	60.00	-	-	-	-	60.00	60.00
35"		-	-	-	-	60.00	60.00	-	-	-	-	60.00	60.00

NOTE:  
GLASS CAPACITIES ON THIS SHEET ARE BASED ON  
A: ASTM E1300-04

5/16" LAMINATED GLASS COMPOSITION - TYPE A		
ITEM	GLASS DESCRIPTION	DETAIL
1	1/8" ANNEALED GLASS	
2	0.090" BUTACITE PVB by Kuraray America, Inc.	
3	1/8" ANNEALED GLASS	
5/16" LAMINATED GLASS COMPOSITION - TYPE B		
ITEM	GLASS DESCRIPTION	DETAIL
1	1/8" HEAT-STRENGTHENED GLASS	
2	0.090" BUTACITE PVB by Kuraray America, Inc.	
3	1/8" HEAT-STRENGTHENED GLASS	
7/16" LAMINATED GLASS COMPOSITION - TYPE D		
ITEM	GLASS DESCRIPTION	DETAIL
1	3/16" HEAT-STRENGTHENED GLASS	
2	0.090" BUTACITE PVB by Kuraray America, Inc.	
3	3/16" HEAT-STRENGTHENED GLASS	
LAMINATED INSULATED GLASS COMPOSITION TYPE E		
ITEM	DESCRIPTION	DETAIL
1	1/8" ANNEALED GLASS	
2	0.090" BUTACITE PVB by Kuraray America, Inc.	
3	1/8" ANNEALED GLASS	
4	1/4" INSULATED AIR SPACE	
5	1/8" ANNEALED GLASS	
LAMINATED INSULATED GLASS COMPOSITION TYPE F		
ITEM	DESCRIPTION	DETAIL
1	1/8" ANNEALED GLASS	
2	0.090" SAFLEX PVB by Eastman Chemical Co.	
3	1/8" ANNEALED GLASS	
4	1/4" INSULATED AIR SPACE	
5	1/8" HEAT-STRENGTHENED GLASS	
LAMINATED INSULATED GLASS COMPOSITION TYPE G		
ITEM	DESCRIPTION	DETAIL
1	3/16" HEAT-STRENGTHENED GLASS	
2	0.090" BUTACITE PVB by Kuraray America, Inc.	
3	3/16" HEAT-STRENGTHENED GLASS	
4	1/4" INSULATED AIR SPACE	
5	3/16" ANNEALED GLASS	
LAMINATED INSULATED GLASS COMPOSITION TYPE H		
ITEM	DESCRIPTION	DETAIL
1	1/8" ANNEALED GLASS	
2	0.090" SAFLEX PVB by Eastman Chemical Co.	
3	1/8" ANNEALED GLASS	
4	1/4" INSULATED AIR SPACE	
5	3/16" ANNEALED GLASS	



**LAWSON INDUSTRIES, INC.**

MANUFACTURER OF QUALITY ALUMINUM WINDOWS AND GLASS DOORS

8501 N.W. 90 ST.  
MEDLEY, FLORIDA 33166  
PH No. (305) 696-8660

SERIES-4300-6300 FIN FRAME IMPACT FIXED WINDOW

LAMINATED GLASS DESIGN PRESSURE CHARTS

Drawing Number: L4300-6300-1201

Sheet: 4 OF 5

Revision #: \_\_\_\_\_

Product Reference Number: \_\_\_\_\_

Revision Notes:  
A. Revised date for the 2014, FBC  
B. Compliance w/ FBC 5th Edition (2014) and ASTM E1300-09

Date Drawn: 02-21-12  
Date Revised: 06/12/17

Drawn By: N. ERAZO  
Revised By: N. ERAZO  
Revision Level: B

Seal: \_\_\_\_\_

DATE: \_\_\_\_\_

**PRODUCT REVISED**  
as complying with the Florida Building Code  
NOA-No. 17-0531.04  
Expiration Date 07/19/2022

By \_\_\_\_\_  
Miami-Dade Product Control

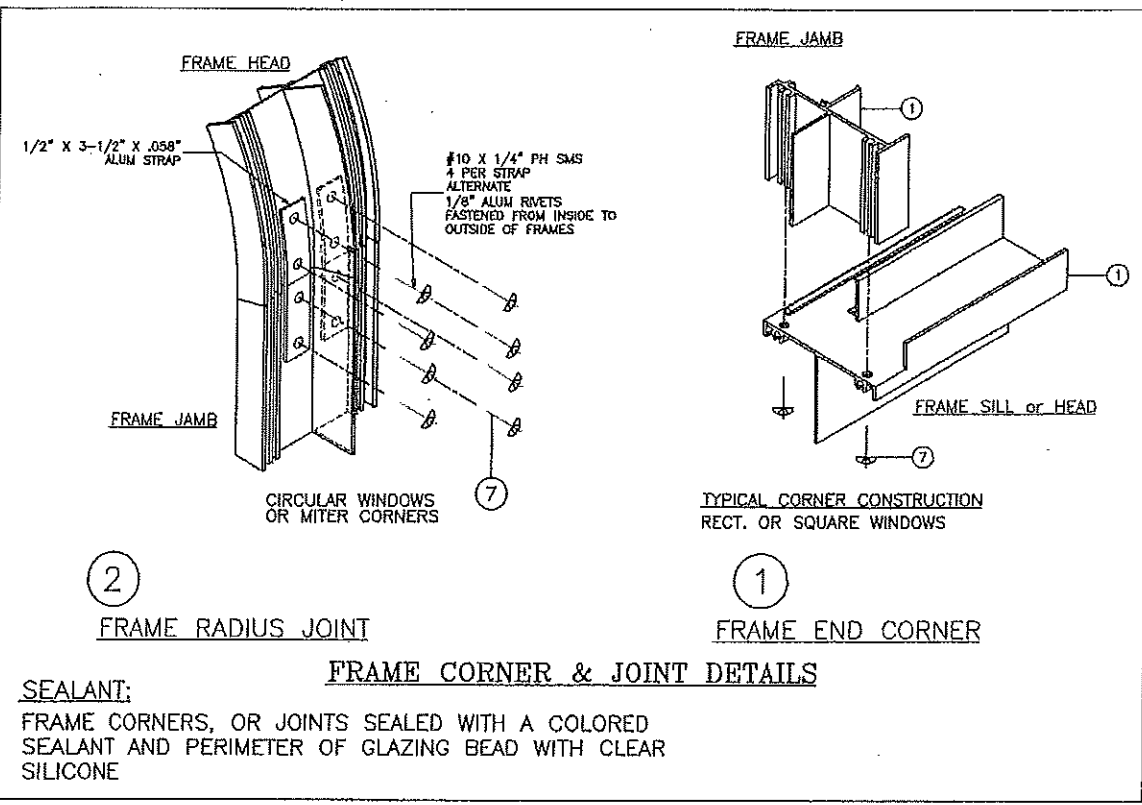
THOMAS J. SOTOS  
PROFESSIONAL ENGINEER  
FL LIC. # 55225

STATE OF FLORIDA  
PROFESSIONAL ENGINEER



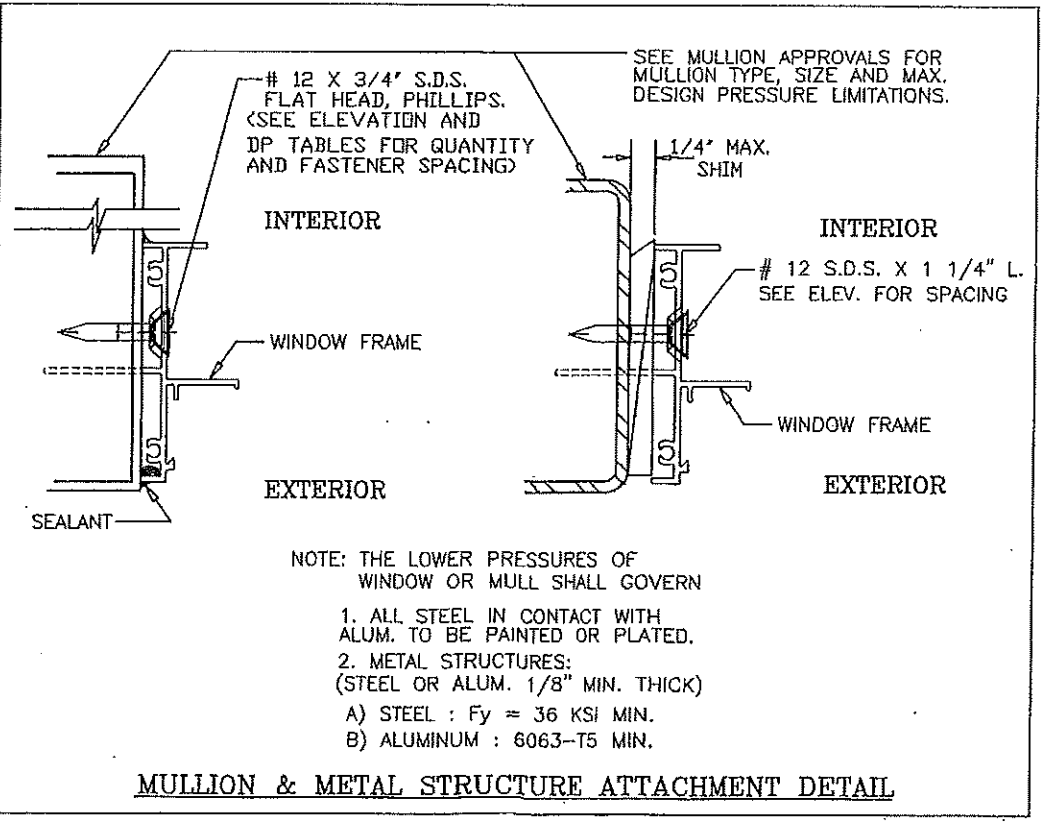
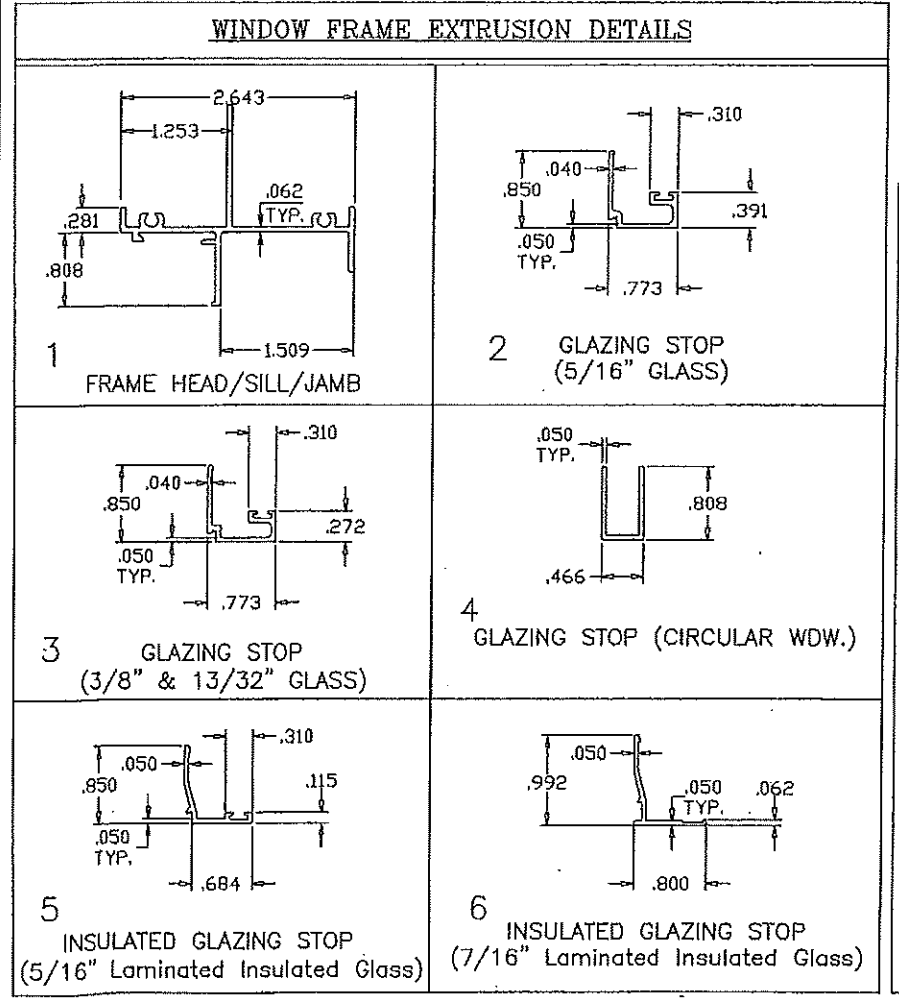
**BILL OF MATERIALS**

ITEM	PART #	QUANTITY	DESCRIPTION	MATERIAL	REMARKS
1	L-4301	2	FRAME HEAD/SILL/JAMB	6063-T6	-
2	L-7708	4	GLAZING BEAD (5/16" GLASS)	6063-T6	-
3	L-7708	4	GLAZING BEAD (3/8" & 13/32" GLASS)	6063-T6	-
4	L-4204	AS REQD.	GLAZING BEAD AT CIRCULAR WDWS.	6063-T5	-
5	L-7711	4	GLAZING BEAD (5/16" GLASS- INSULATED)	6063-T6	-
6	L-6211	4	GLAZING BEAD (7/16" GLASS - INSULATED)	6063-T6	-
7	#8 X 3/4"	2/ CORNER	ASSEMBLY SCREWS	-	P.H. PHILLIPS
8	812-25H-357	AS REQD.	"TruSeal" Dura-Seal Swiggle Spacer	*	Black - 1/4" Air Spacer
9	VWS-004	AS REQD.	GLAZING VINYL BULB - TEAM PLASTICS	FLEX. PVC	Material Composition Below
10	PWS-001	AS REQD.	PILE WTS'P SEAL	*	.187" w. X .150" h.
11	DC-899	AS REQD.	GLAZING SILICONE	*	DOW CORNING
12	PL 75.6020	AS REQD.	GLAZING SETTING BLOCK	SOFT PVC	1/8" X 1/8" X 2"



**SEALANT:**  
 FRAME CORNERS, OR JOINTS SEALED WITH A COLORED SEALANT AND PERIMETER OF GLAZING BEAD WITH CLEAR SILICONE

Flexible Vinyl (FPVC) Composition - Team Plastics, Inc.		
*1. FPVC Black: Compound No. 7200-75		
PHYSICAL		ASTM NO.
Durometer Hardness "A", 10 sec	75	D-2240
Specific Gravity	1.45	D-792
Tensile Strength, PSI	1640	D-638
Ultimate Elongation, %	340.0	D-638
Modulus @ 100% Elongation, PSI	765.0	D-638
Impact Brittleness	-31.0	D-746
*2. FPVC White: Compound No. 7267-75		
PHYSICAL		ASTM NO.
Durometer Hardness "A", 10 sec	75	D-2240
Specific Gravity	1.45	D-792
Tensile Strength, PSI	1640	D-638
Ultimate Elongation, %	325.0	D-638
Modulus @ 100% Elongation, PSI	765.0	D-638
Impact Brittleness	-30.0	D-746



8501 N.W. 90 ST.  
 MEDLEY, FLORIDA 33166  
 PH No. (305) 696-8660

**LAWSON INDUSTRIES, INC.**

MANUFACTURER OF QUALITY ALUMINUM WINDOWS AND GLASS DOORS

SERIES-4300-6300 FIN FRAME IMPACT FIXED WINDOW

BILL OF MATERIALS, EXTRUSION DETAILS & CORNER ASSEMBLY DETAILS

Drawing Number: L4300-6300-1201  
 Sheet 5 OF 5  
 Revision #:

Revision Notes:	A. Revised date for the 2014 FBC	Date Drawn:	02-21-12
	B. Compliance w/ FBC 5th Edition (2014) and ASTM E1300-09	Date Revised:	05/12/17
Drawn By:	N. ERAZO	Scale:	B
Revised By:	N. ERAZO		

THOMAS J. SOTOS  
 PROFESSIONAL ENGINEER  
 FL LIC. # 55225

DATE

**PRODUCT REVISED**  
 as complying with the Florida Building Code  
 NOA-No. **17-0531.04**  
 Expiration Date **07/19/2022**  
 By Miami-Dade Product Control