



DEPARTMENT OF REGULATORY AND ECONOMIC RESOURCES (RER)
BOARD AND CODE ADMINISTRATION DIVISION

MIAMI-DADE COUNTY
PRODUCT CONTROL SECTION
11805 SW 26 Street, Room 208
T (786) 315-2590 F (786) 315-2599

NOTICE OF ACCEPTANCE (NOA)

www.miamidade.gov/economy

Lawson Industries, Inc.
8501 NW 90 Street
Medley, FL 33166

SCOPE:

This NOA is being issued under the applicable rules and regulations governing the use of construction materials. The documentation submitted has been reviewed and accepted by Miami-Dade County RER-Product Control Section to be used in Miami Dade County and other areas where allowed by the Authority Having Jurisdiction (AHJ).

This NOA shall not be valid after the expiration date stated below. The Miami-Dade County Product Control Section (In Miami-Dade County) and/ or the AHJ (in areas other than Miami-Dade County) reserve the right to have this product or material tested for quality assurance purposes. If this product or material fails to perform in the accepted manner, the manufacturer will incur the expense of such testing and the AHJ may immediately revoke, modify, or suspend the use of such product or material within their jurisdiction. RER reserves the right to revoke this acceptance, if it is determined by Miami-Dade County Product Control Section that this product or material fails to meet the requirements of the applicable building code.

This product is approved as described herein, and has been designed to comply with the Florida Building Code, including the High Velocity Hurricane Zone.

DESCRIPTION: Series "HS-8800 (Fin-Frame)" Aluminum Horizontal Sliding Window - L.M.I.

APPROVAL DOCUMENT: Drawing No. **L8800-0801 Rev D**, titled "HS-8800 Horizontal Rolling Fin Impact Window", sheets 01 through 05 of 05, dated 04/08/08 and last revised on NOV 21, 2017, prepared by manufacturer, and signed and sealed by Thomas J. Sotos, P. E., bearing the Miami-Dade County Product Control Revision stamp with the Notice of Acceptance number and expiration date by the Miami-Dade County Product Control Section.

MISSILE IMPACT RATING: Large and Small Missile Impact Resistant

Limitations:

1. See Design Pressure (DP) VS Window sizes and glass types in sheet **4**.
2. See glass types in sheet 1. The monolithic lite in insulated laminated glass is oriented at exterior side and require tempered glass, if used at 30 ft above the grade.

LABELING: Each unit shall bear a permanent label with the manufacturer's name or logo, city, state, series, and following statement: "Miami-Dade County Product Control Approved", unless otherwise noted herein.

RENEWAL of this NOA shall be considered after a renewal application has been filed and there has been no change in the applicable building code negatively affecting the performance of this product.

TERMINATION of this NOA will occur after the expiration date or if there has been a revision or change in the materials, use, and/ or manufacture of the product or process. Misuse of this NOA as an endorsement of any product, for sales, advertising or any other purposes shall automatically terminate this NOA. Failure to comply with any section of this NOA shall be cause for termination and removal of NOA.

ADVERTISEMENT: The NOA number preceded by the words Miami-Dade County, Florida, and followed by the expiration date may be displayed in advertising literature. If any portion of the NOA is displayed, then it shall be done in its entirety.

INSPECTION: A copy of this entire NOA shall be provided to the user by the manufacturer or its distributors and shall be available for inspection at the job site at the request of the Building Official.

This NOA **revises** NOA No. **14-0908.13** and consists of this page 1 and evidence pages E-1, E-2 and E-3, as well as approval document mentioned above.

The submitted documentation was reviewed by **Ishaq I. Chanda, P. E.**



NOA No. 17-1212.14

Expiration Date: **October 09, 2018**

Approval Date: **February 01, 2018**

Page 1

1/23/18

NOTICE OF ACCEPTANCE: EVIDENCE SUBMITTED

1. Evidence submitted in previous files

A. DRAWINGS

1. Manufacturer's die drawings and sections.
(Submitted under previous NOA No. 08-0701.03)
2. Drawing No **L8800-0801**, titled "HS-8800 Horizontal Rolling Fin Impact Window", sheets 01 through 05 of 05, dated 04/08/08, with revision "C" dated 08/11/14, prepared by manufacturer, and signed and sealed by Thomas J. Sotos, P. E.

B. TESTS

1. Test reports on: 1) Air Infiltration Test, per FBC, TAS 202-94
2) Uniform Static Air Pressure Test, Loading per FBC TAS 202-94
3) Water Resistance Test, per FBC, TAS 202-94
4) Forced Entry Test, per FBC 2411 3.2.1, TAS 202-94
along with marked-up drawings and installation diagram of an aluminum horizontal sliding window, prepared by Hurricane Engineering & Testing, Inc., Test Report No. **HETI-07-4391**, dated 02/28/08, signed and sealed by Candido F. Font, P. E.
(Submitted under previous NOA No.08-0701.03)
2. Test reports on: 1) Large Missile Impact Test per FBC, TAS 201-94
2) Cyclic Wind Pressure Loading per FBC, TAS 203-94
along with marked-up drawings and installation diagram of aluminum horizontal sliding windows, all prepared by Hurricane Engineering & Testing, Inc., Test Reports No.'s **HETI-07-4392**, dated 01/15/08, **HETI-07-4393**, dated 01/15/08, **HETI-07-4395**, dated 01/15/08, **HETI-07-4394**, dated 02/28/08 and **HETI-08-2039**, dated 01/30/08, signed and sealed by Candido F. Font, P. E.
(Submitted under previous NOA No.08-0701.03)

C. CALCULATIONS

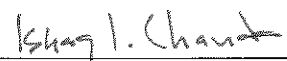
1. Anchor verification calculations and structural analysis, complying with FBC, prepared by Lawson Industries, Inc., dated 06/20/08, signed and sealed by Thomas J. Sotos, P. E.
(Submitted under previous NOA No. 08-0701.03)
2. **Glazing complies with ASTM E1300-04/ 09**

D. QUALITY ASSURANCE

1. Miami-Dade Department of Regulatory and Economic Resources (RER)

E. MATERIAL CERTIFICATIONS

1. Notice of Acceptance No. **13-0129.27** issued to **E.I. DuPont DeNemours & Co., Inc.** for their "**DuPont Butacite® PVB Interlayer**" dated 04/11/13, expiring on 12/11/16.



Ishaq I. Chanda, P. E.
Product Control Examiner
NOA No. 17-1212.14

Expiration Date: October 09, 2018
Approval Date: February 01, 2018

NOTICE OF ACCEPTANCE: EVIDENCE SUBMITTED

E. MATERIAL CERTIFICATIONS (CONTINUED)

2. Notice of Acceptance No. **14-0423.17** issued to **Eastman Chemical Company (MA)** for their "**Saflex Clear and Color Glass Interlayers**" dated 06/19/14, expiring on 05/21/16.

F. STATEMENTS

1. Statement letter of conformance to and complying with **FBC 5th Edition (2014)**, issued by manufacturer, dated 09/02/14, signed and sealed by Thomas J. Sotos, P. E.
2. Department of State Certification of **LAWSON INDUSTRIES, INC.** as a for profit corporation, active and organized under the laws of the State of Florida, dated 04/11/14 and filed at the Secretary of State.
3. Statement letter of conformance, complying with **FBC-2010**, dated 01/25/12, signed and sealed by Thomas J. Sotos, P. E.
(Submitted under previous NOA No.12-0127.17)
4. Statement letter of no financial interest, dated 06/20/08, signed and sealed by Thomas J. Sotos, P. E.
(Submitted under previous NOA No.08-0701.03)
5. Laboratory compliance letter for Test Reports No. **HETI-07-4391, HETI-07-4392, HETI-07-4393, HETI-07-4394, HETI-07-4395** and **HETI-08-2039**, issued by Hurricane Engineering & Testing, Inc., dated 01/15/08 through 02/28/08, all signed and sealed by Candido F. Font, P. E.
(Submitted under previous NOA No.08-0701.03)

G. OTHERS

1. Notice of Acceptance No. **13-0724.09**, issued to Lawson Industries, Inc. for their Series "**HS-8800 (Fin-Frame) Aluminum Horizontal Sliding Window - LM.I.**", approved on 11/13/13 and expiring on 10/09/18.

2. **New Evidence submitted.**

A. DRAWINGS

1. Drawing No. **L8800-0801 Rev D**, titled "**HS-8800 Horizontal Rolling Fin Impact Window**", sheets 01 through 05 of 05, dated 04/08/08 and last revised on NOV 21, 2017, prepared by manufacturer, and signed and sealed by Thomas J. Sotos, P. E.

Note: This revision consist of editorial changes of FBC 17 (6th Edition) code compliance.

B. Test

1. None.

C. CALCULATIONS

1. None



Ishaq I. Chanda, P. E.
Product Control Examiner
NOA No. 17-1212.14

Expiration Date: October 09, 2018
Approval Date: February 01, 2018

Lawson Industries, Inc.

NOTICE OF ACCEPTANCE: EVIDENCE SUBMITTED

D. QUALITY ASSURANCE

1. Miami Dade Department of Regulatory and Economic Resources (RER).

E. MATERIAL CERTIFICATIONS

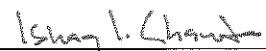
1. Notice of Acceptance No. **16-1117.01** issued to **Kuraray America, Inc.** for their “**Trosifol@ Ultraclear, Clear, and Color PVB Interlayers**” dated 01/19/17, expiring on 07/08/19.
2. Notice of Acceptance No. **15-1201.11** issued to **Eastman Chemical Company (MA)** for their “**Saflex Clear and Color Glass Interlayers**”, expiring on 05/21/21.

F. STATEMENTS

1. Statement letter of conformance to FBC 2017 (6th Edition) and “No financial interest” dated 11/17/17, prepared by the manufacturer, signed and sealed by Thomas J. Sotos, P.E.
2. Statement letter dated 01/22/18 of the editorial drawing changes issued by Lawson Inc, signed by Nelson Erazo, Senior design engineer.

G. OTHER

1. This NOA revises # **14-0908.13**, expiring 10/09/18.



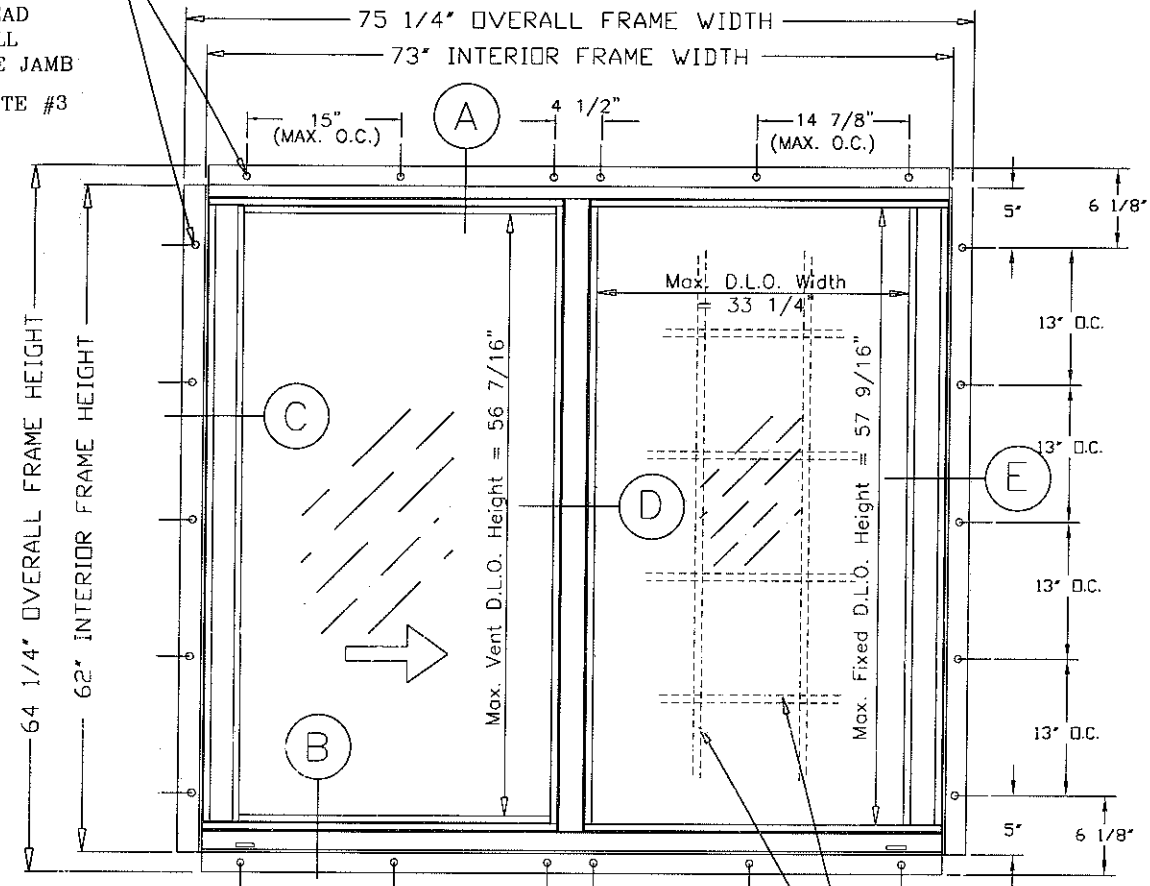
Ishaq I. Chanda, P. E.
Product Control Examiner
NOA No. 17-1212.14

Expiration Date: October 09, 2018
Approval Date: February 01, 2018

General Notes:

- 1.) THIS WINDOW SYSTEM IS DESIGNED AND TESTED TO COMPLY WITH THE REQUIREMENTS OF THE FLORIDA BUILDING CODE (2014-5th Edition & 2017-6th Edition) INCLUDING HIGH VELOCITY HURRICANE ZONE (HVHZ) AND ASTM 1300-98. THIS PRODUCT IS IMPACT RESISTANT AND DOES NOT REQUIRE SHUTTERS.
- 2.) 2 X WOOD BUCKS SHALL BE INSTALLED AND ANCHORED SO THAT THE BUILDING RESISTS THE SUPERIMPOSED LOADS IN ACCORDANCE WITH THE REQUIREMENTS OF FLORIDA BUILDING CODE & TO BE REVIEWED BY BUILDING OFFICIAL.
- 3.) ANCHORS SHOWN ABOVE ARE AS PER TEST UNITS. ON CENTER (O.C.) ANCHOR SPACINGS WILL VARY WITH UNIT DIMENSIONS, AND THE NUMBER OF ANCHORS REQUIRED, AS SPECIFIED ON THE LOAD TABLES.
- 4.) ANCHOR CONDITIONS NOT DESCRIBED IN THESE DRAWING'S ARE TO BE ENGINEERED ON A SITE SPECIFIC BASIS, UNDER SEPARATE APPROVAL AND TO BE REVIEWED BY BUILDING OFFICIAL.
- 5.) XO or OX WINDOWS ARE QUALIFIED FOR USE WITH SINGLE GLAZE LAMINATED GLASS TYPES TABULATED HEREIN (SEE SHEET #4).
- 6.) XO or OX WINDOWS ARE QUALIFIED FOR USE WITH DOUBLE GLAZE LAMINATED INSULATED GLASS TYPES TABULATED HEREIN (SEE SHEET #4).
- 7.) SEE SHEET #3 FOR LOCK DETAILS & OPTIONS.
- 8.) SEE SHEET #1 FOR GLAZING DETAILS & OPTIONS. (REFER TO SHEETS #4, FOR MAX. DESIGN PRESSURES.
- 9.) WOOD OPENINGS SHALL BE PROTECTED WITH AN APPROVED MOISTURE RESISTANT WEATHERBARRIER (BY OTHERS), PRIOR TO WINDOW INSTALLATION. (SEE SHEET #3 FOR INSTALLATION DETAIL)
- 10.) MATERIALS INCLUDING BUT NOT LIMITED TO STEEL SCREWS, THAT COME INTO CONTACT WITH OTHER DISSIMILAR MATERIALS SHALL MEET THE REQUIREMENTS OF FLORIDA BUILDING CODE SECTION 2003.8.4

INSTALLATION FASTENERS *
 (A) 6 AT FRAME HEAD
 (B) 6 AT FRAME SILL
 (C) 5 AT EA. FRAME JAMB
 *SEE GENERAL NOTE #3



NOTE:
 SAME ANCHOR SPACING AT HEAD & SILL
 EXT. & INT. FALSE COLONIAL MUNTINS ARE APPLIED W/ W/ SILICONE AND ARE AVAILABLE AS OPTIONAL.

**"XO" WINDOW ELEVATION
 ("OX" REVERSED)**

SERIES-8800 HORIZONTAL SLIDING IMPACT WINDOW - FIN FRAME

C

0.125" TEMPERED GLASS (OUTBOARD)
 *(QUALIFIED FOR SMALL MISSILE IMPACT)
 0.125" ANN. GLASS (INBOARD)
 LAMINATED w/ 0.090" PVB &
 INSULATED w/ 0.250" AIR SPACE
 0.340" TOTAL GLASS THICKNESS

C

0.125" ANN. GLASS (OUTBOARD)
 (NOT QUALIFIED FOR SMALL MISSILE IMPACT)
 0.125" ANN. GLASS (INBOARD)
 LAMINATED w/ 0.090" PVB &
 INSULATED w/ 0.250" AIR SPACE
 0.340" TOTAL GLASS THICKNESS

B

0.125" H.S. GLASS
 LAMINATED w/ 0.090" PVB
 0.340" TOTAL GLASS THICKNESS

A

0.125" ANN. GLASS
 LAMINATED w/ 0.090" PVB
 0.340" TOTAL GLASS THICKNESS

30 Lamine Types & Options

- 1) Trosifol PVB by: Kuraray America, Inc.
- 2) Saflex PVB by: Eastman Chemical Company

GLAZING DETAILS, OPTIONS AND DESCRIPTION

(NOTE: SEE DP CHARTS AT SHEET 4 OF 5)

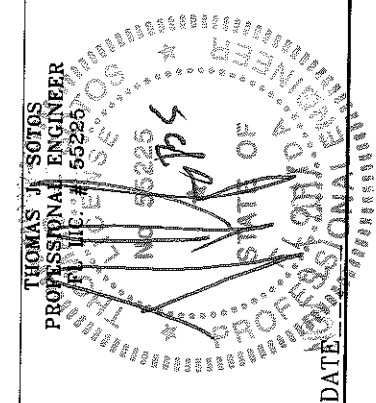
PRODUCT REVISIONS
 as complying with the Florida
 Building Code
 Acceptance No. 17-1212-14
 Expiration Date 06/09/2018
 Thomas J. Sotelo
 Product Control

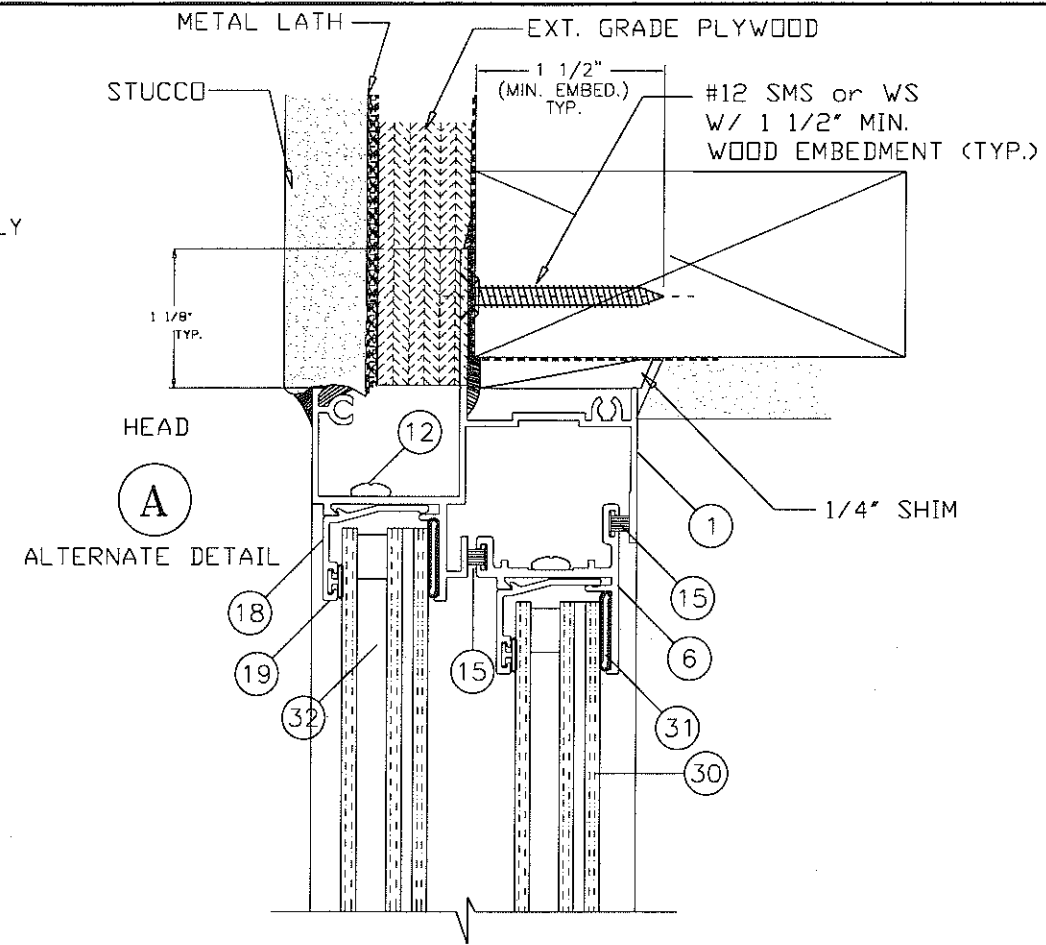
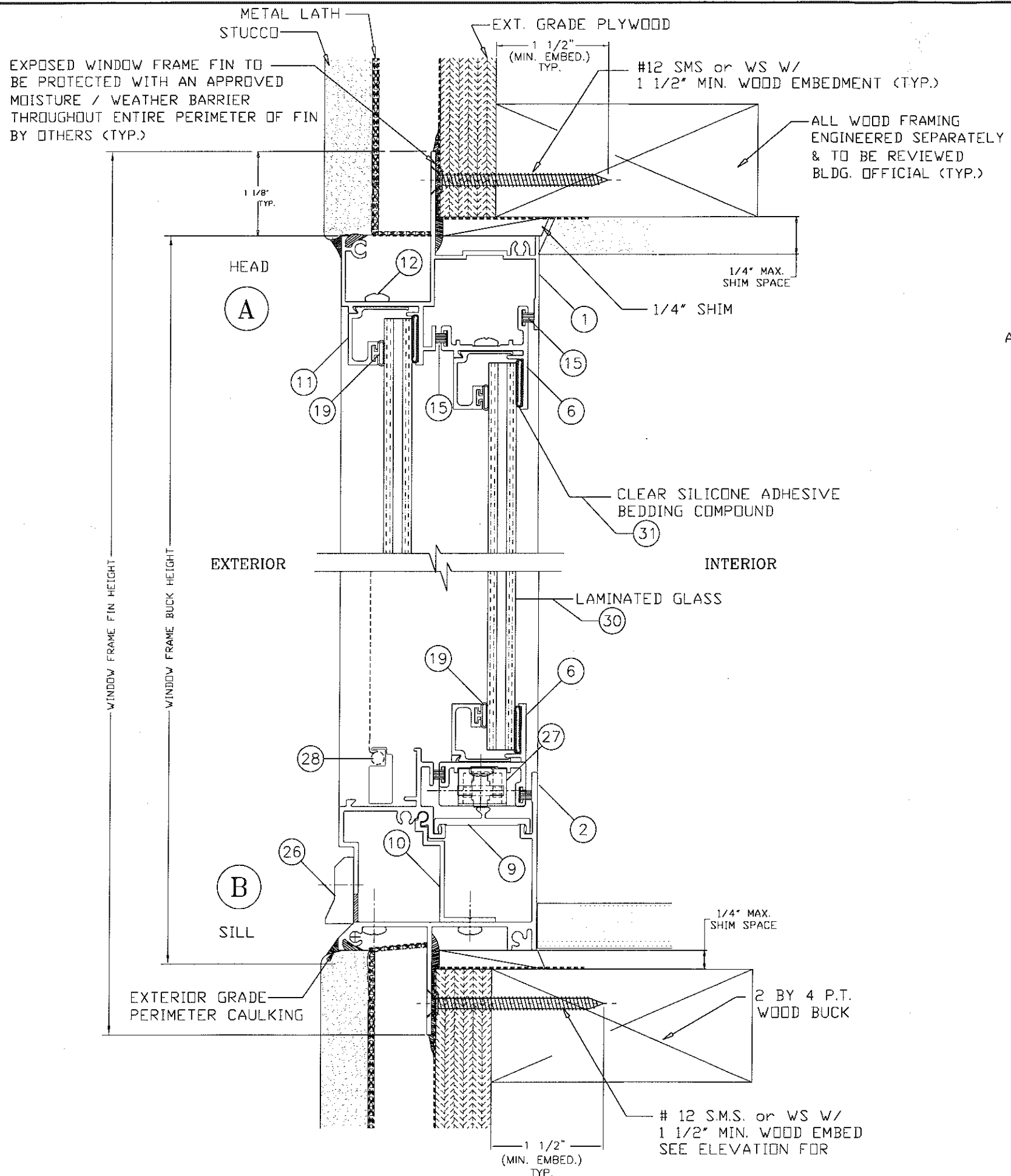
LAWSON INDUSTRIES, INC.
 MANUFACTURER OF QUALITY ALUMINUM WINDOWS AND GLASS DOORS
 8501 N.W. 90 ST.
 MEDLEY, FLORIDA 33166
 PH No. (305) 696-8660

HS-8800 HORIZONTAL ROLLING FIN IMPACT WINDOW
 APPROVED ELEVATION, GLAZING DETAILS AND GENERAL NOTES

Product Reference Number: L8800-0801
 Drawing Number: L8800-0801
 Sheet: 1 OF 5
 Revision #:

Revision Notes:	B. Revised to Comply w/ 2010 FBC	Date Drawn:	04/08/08
	C. Revised date for the 2014 FBC	Drawn By:	N. ERAZO
	D. Revised date for the 2017 FBC	Revised By:	N. Erazo
		Revision Level:	D
		Scale:	





NOTE:
 ALL ANCHORS TO BE #12 SMS OR WD. SCREW WITH A MINIMUM OF 1 1/2" PENETRATION INTO WOOD. (REFER TO WINDOW ELEVATIONS ON SHEET 1 FOR MAX. ALLOWABLE ANCHOR SPACING)

* WHEN THE GAP BETWEEN THE WINDOW FRAME AND THE BUCK IS LESS THAN 1/8", SHIMS ARE NOT REQUIRED.

PRODUCT REVISED
 as complying with the Florida Building Code
 Acceptance No. 17-1212-14
 Expiration Date 10/9/18
 [Signature]
 Licensed Window Product Counsel

8501 N.W. 90 ST.
 MEDLEY, FLORIDA 33166
 PH No. (305) 696-8660

LAWSON INDUSTRIES, INC.

MANUFACTURER OF QUALITY ALUMINUM WINDOWS AND GLASS DOORS

HS-8800 HORIZONTAL ROLLING FIN WINDOW WINDOW VERTICAL CROSS SECTION & DETAILS

Product Reference Number: L8800-0801

Sheet: 2 OF 5

Revision #: []

Revision Notes:

B. Revised to Comply w/ 2010 FBC	Date Drawn: 05/02/05
C. Revised date for the 2014 FBC	Date Revised: 11/01/17
D. Revised date for the 2017 FBC	Scale: D
Drawn By: N. ERAZO	
Checked By: N. ERAZO	
Revision Level: D	

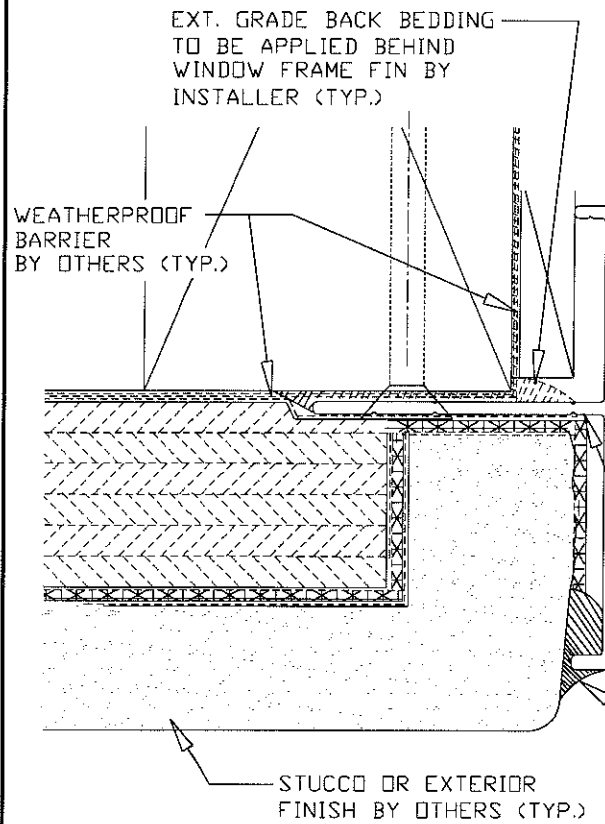
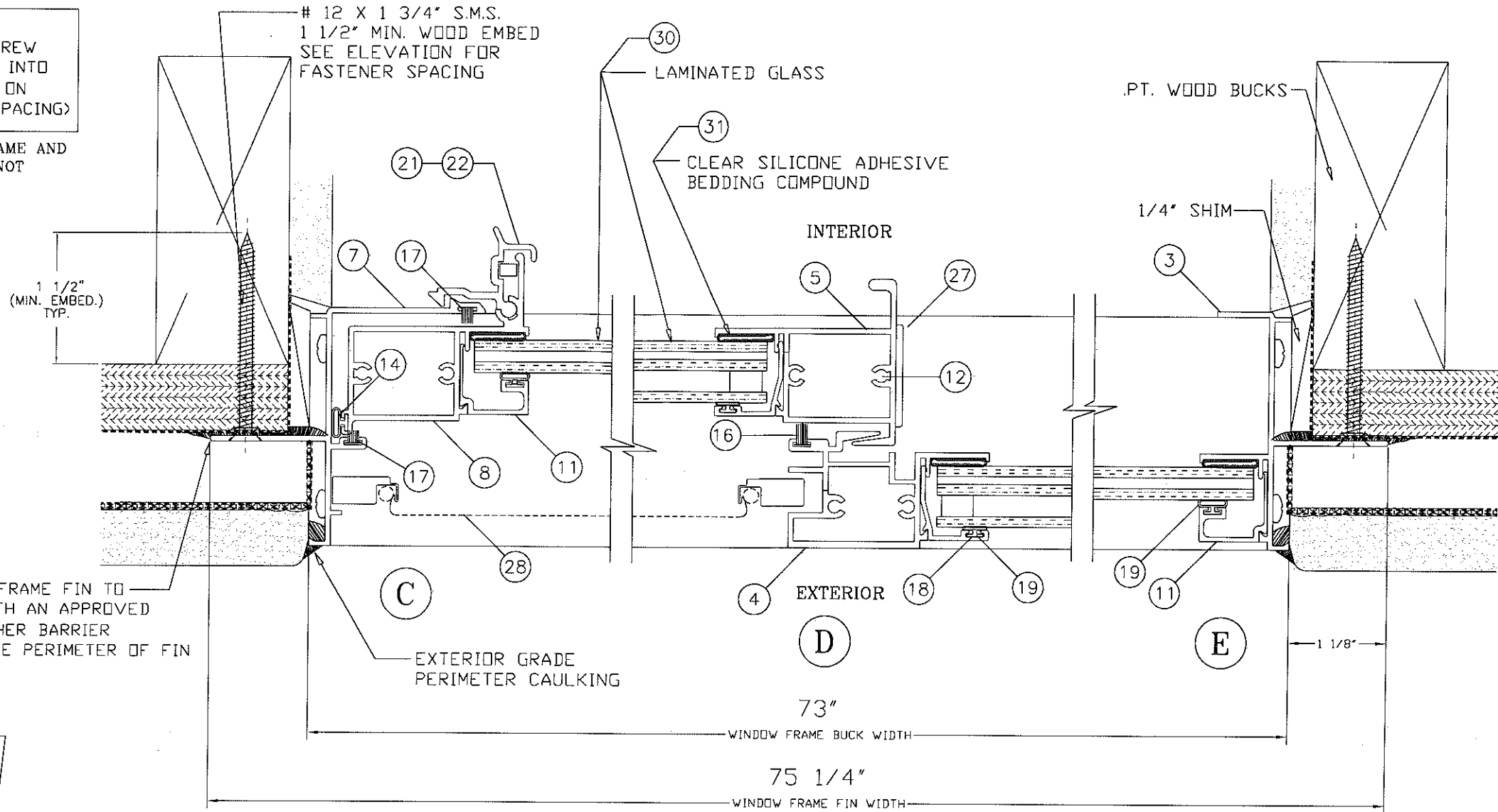
THOMAS J. SOTOS
 PROFESSIONAL ENGINEER
 FLORIDA
 License No. 55225

STATE OF FLORIDA
 PROFESSIONAL ENGINEERS

DATE: []

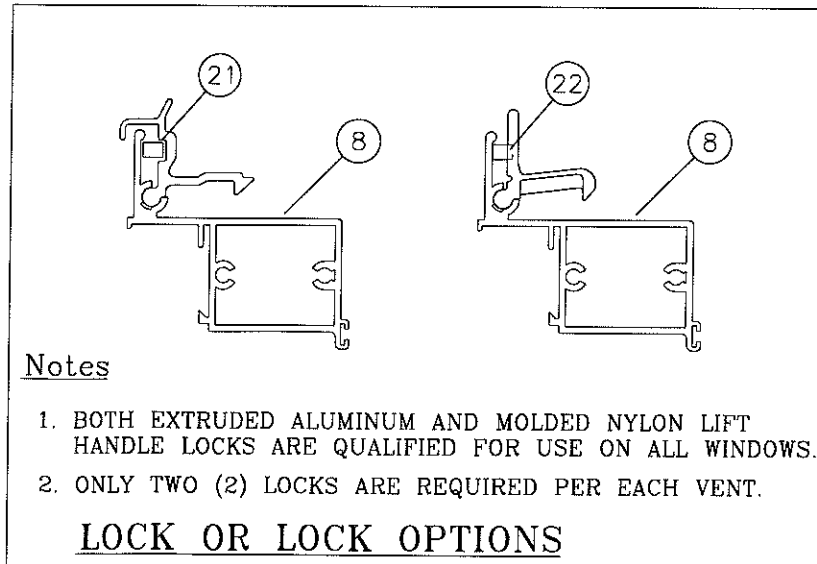
NOTE:
 ALL ANCHORS TO BE #12 SMS OR WD. SCREW WITH A MINIMUM OF 1 1/2" PENETRATION INTO WOOD. (REFER TO WINDOW ELEVATIONS ON SHEET 1 FOR MAX. ALLOWABLE ANCHOR SPACING)

* WHEN THE GAP BETWEEN THE WINDOW FRAME AND THE BUCK IS LESS THAN 1/8", SHIMS ARE NOT REQUIRED.



WINDOW INSTALLATION NOTES:

1. THE WINDOW OPENING MUST BE PROTECTED WITH A CODE APPROVED FELT OR MOISTURE/WEATHER BARRIER, APPROX. 12" WIDE THROUGHOUT ENTIRE PERIMETER OF THE WINDOW MOUNTING FIN. (NOT BY LAWSON INDUSTRIES)
2. THE WINDOW FRAME FIN TO BE BACK-BEDDED W/ AN EXT. GRADE CAULK THROUGHOUT THE ENTIRE PERIMETER OF FIN BY WINDOW INSTALLER (TYP.)
3. THE EXPOSED EXT. PERIMETER OF THE WINDOW FRAME TO BE SEALED W/ AN APPROVED EXTERIOR GRADE CAULK BY OTHERS (TYP.)



PRODUCT REVISED
 as complying with the Florida
 Funding Code
 Acceptance No. 17-1212.14
 Expiration Date 10/19/18
 Thomas J. Sotos
 Licensed Professional Engineer

LAWSON INDUSTRIES, INC.
 MANUFACTURER OF QUALITY ALUMINUM WINDOWS AND GLASS DOORS
 8501 N.W. 90 ST.
 MEDLEY, FLORIDA 33166
 PH No. (305) 696-8660

HS-8800 HORIZONTAL ROLLING FIN IMPACT WINDOW
 CROSS SECTION DETAILS, LOCK OPTIONS AND FRAME INSTALLATION DETAIL

Product Reference Number: L8800-0801
 Drawing Number: L8800-0801
 Sheet: 3 OF 5
 Revision #:

Revision Notes:	B. Revised to Comply w/ 2010 FBC	Date Drawn:	04/08/08
	C. Revised date for the 2014 FBC	Drawn By:	N. ERAZO
	D. Revised date for the 2017 FBC	Revised By:	N. Erazo
		Revision Level:	D

THOMAS J. SOTOS
 PROFESSIONAL ENGINEER
 FL LIC. # 55225
 No. 55225
 STATE OF FLORIDA
 PROFESSIONAL ENGINEERS

DATE

HS-8800 FIN FRAME WINDOW BILL OF MATERIALS				
ITEM #	PART #	REQD.	DESCRIPTION	REMARKS
1	L-7803	1	FIN FRAME HEAD	6063-T6 ALUMINUM
2	L-8801	1	FIN FRAME SILL	6063-T6 ALUMINUM
3	L-7801	1	FIN FRAME FXD. JAMB	6063-T6 ALUMINUM
4	L-7704	1	FRAME FIXED MEETING RAIL	6063-T6 ALUMINUM
5	L-7705	1	VENT MEETING RAIL	6063-T6 ALUMINUM
6	L-7707	1	VENT TOP/BOTTOM RAIL	6063-T6 ALUMINUM
7	L-8802	1	FIN FRAME VENT JAMB	6063-T6 ALUMINUM
8	L-7706	1	VENT JAMB LATCH RAIL	6063-T6 ALUMINUM
9	L-8702	1	FRAME SILL TRACK	6063-T5 ALUMINUM
10	L-8705	1	FRAME SILL RETAINING CLIP	6063-T5 ALUMINUM
11	L-7708	AS REQ'D.	GLAZING BEAD (3/8")	6063-T5 ALUMINUM
12	FS-006	AS REQ'D.	FRAME ASSEMBLY SCREWS	#8 X 3/4" P.H. PHILLIPS
13	FS-040	AS REQ'D.	INSTALLATION SCREWS	#12 SMS F.H./PHIL.
14	L-7531	AS REQ'D.	VENT JAMB VINYL WTS'P	1/4" DIA. BULB #3033
15	PWS-003	AS REQ'D.	FIN SEAL WEATHERSTRIP	.187" w x .230" h
16	PWS-005	AS REQ'D.	FIN SEAL WEATHERSTRIP	.187" w x .350" h
17	PWS-009	AS REQ'D.	FIN SEAL WEATHERSTRIP	.187" w x .310" h
18	L-7711	AS REQ'D.	GLAZING BEAD (3/4")	6063-T5 ALUMINUM
19	L-7531	AS REQ'D.	BEAD VINYL BULB	1/4" DIA. BULB #3033
20	*	AS REQ'D.	COLONIAL FALSE MUNTIN	ALUMINUM
21	L-7539	2	VENT EXTRUDED LATCH	6063-T5 ALUMINUM
22	HC-057-1	2	VENT MOLDED LATCH	MOLDED NYLON
23	*	1 x LATCH	LATCH SPRING	STAINLESS STEEL
24	*	2	SILL/JAMB JOINT GASKET	1/16" CLOSED CELL FOAM
25	FS-041	2	SILL RAIL ASSEMBLY SCREW	#8 X 2 1/4" P.H./PHIL.
26	HC-044-1	2	WEEP FLAP & BAFFLE	
27	HC-040-1	2	SASH ROLLER & HOUSING	
28	HC-026-1	1	SCREEN FRAME & MESH	
29	*	1	ATTACHMENT SCREW @ CLIP	#8 X 5/8" S.D.S.
30	*	2	LAMINATED GLASS	See Detail @ sheet 1 of 5
31	SM-5504	AS REQ'D.	GLAZING SILICONE	See Detail @ sheet 1 of 5
32	"TrueSeal"	AS REQ'D.	Insulated Glass Swiggle Seal	1/4" air space
33	*	1	PRODUCT LABEL	
34	SM-5504	AS REQ'D.	JOINT SEALANT	
35	*	AS REQ'D.	PERIMETER ACRYLIC CAULK	DSI POLYSEAMSEAL

HS-8800 Impact Horizontal Sliding Window Configuration: "XO or OX"												
Code Size	Frame Buck Size		Design Load as per Glass Type						Frame Installation Anchors			
	Width (in)	Height (in)	"A" (Annealed)		"B" (H.S.)		"C" (Ann./Insulated)		Head Sill	Each Jamb	Total Req'd.	
			P(+)	P(-)	P(+)	P(-)	P(+)	P(-)				
12	18.125	25	48.0	48.0	60.0	60.0	60.0	60.0	2	3	10	
13	18.125	37.375	48.0	48.0	60.0	60.0	60.0	60.0	2	3	10	
14	18.125	49.625	48.0	48.0	60.0	60.0	60.0	60.0	2	4	12	
15	18.125	62	48.0	48.0	60.0	60.0	60.0	60.0	2	5	14	
H32	25.5	25	48.0	48.0	60.0	60.0	60.0	60.0	3	3	12	
H33	25.5	37.375	48.0	48.0	60.0	60.0	60.0	60.0	3	3	12	
H34	25.5	49.625	48.0	48.0	60.0	60.0	60.0	60.0	3	4	14	
H35	25.5	62	48.0	48.0	60.0	60.0	60.0	60.0	3	5	16	
22	36	25	48.0	48.0	60.0	60.0	60.0	60.0	3	3	12	
23	36	37.375	48.0	48.0	60.0	60.0	60.0	60.0	3	3	12	
24	36	49.625	48.0	48.0	60.0	60.0	60.0	60.0	3	4	14	
25	36	62	48.0	48.0	60.0	60.0	60.0	60.0	3	5	16	
32	52.125	25	48.0	48.0	60.0	60.0	60.0	60.0	4	3	14	
33	52.125	37.375	48.0	48.0	60.0	60.0	60.0	60.0	4	3	14	
34	52.125	49.625	48.0	48.0	60.0	60.0	60.0	60.0	4	4	16	
35	52.125	62	48.0	48.0	60.0	60.0	60.0	60.0	4	5	18	
D22	73	25	48.0	48.0	60.0	60.0	60.0	60.0	6	3	18	
D23	73	37.375	48.0	48.0	60.0	60.0	60.0	60.0	6	3	18	
D24	73	49.625	48.0	48.0	60.0	60.0	60.0	60.0	6	4	20	
D25	73	62	-	-	60.0	60.0	60.0	60.0	6	5	22	
2020	23	23	48.0	48.0	60.0	60.0	60.0	60.0	3	3	12	
2030	23	35	48.0	48.0	60.0	60.0	60.0	60.0	3	3	12	
2040	23	47	48.0	48.0	60.0	60.0	60.0	60.0	3	4	14	
2050	23	59	48.0	48.0	60.0	60.0	60.0	60.0	3	5	16	
3020	35	23	48.0	48.0	60.0	60.0	60.0	60.0	3	3	12	
3030	35	35	48.0	48.0	60.0	60.0	60.0	60.0	3	3	12	
3040	35	47	48.0	48.0	60.0	60.0	60.0	60.0	3	4	14	
3050	35	59	48.0	48.0	60.0	60.0	60.0	60.0	3	5	16	
4020	47	23	48.0	48.0	60.0	60.0	60.0	60.0	4	3	14	
4030	47	35	48.0	48.0	60.0	60.0	60.0	60.0	4	3	14	
4040	47	47	48.0	48.0	60.0	60.0	60.0	60.0	4	4	16	
4050	47	59	48.0	48.0	60.0	60.0	60.0	60.0	4	5	18	
5020	59	23	48.0	48.0	60.0	60.0	60.0	60.0	5	3	16	
5030	59	35	48.0	48.0	60.0	60.0	60.0	60.0	5	3	16	
5040	59	47	48.0	48.0	60.0	60.0	60.0	60.0	5	4	18	
5050	59	59	48.0	48.0	60.0	60.0	60.0	60.0	5	5	20	
6020	71	23	48.0	48.0	60.0	60.0	60.0	60.0	6	3	18	
6030	71	35	48.0	48.0	60.0	60.0	60.0	60.0	6	3	18	
6040	71	47	48.0	48.0	60.0	60.0	60.0	60.0	6	4	20	
6050	71	59	-	-	60.0	60.0	60.0	60.0	6	5	22	

COMMODITY SIZES

MODULAR SIZES

Note: (*) WINDOWS WITH GLASS TYPES "C" INSTALLED ABOVE 30FT. IN THE HVHZ, THE I.G. EXTERIOR LITE SHALL BE TEMPERED.

8501 N.W. 90 ST.
MEDLEY, FLORIDA 33166
PH No. (305) 696-8660

LAWSON

INDUSTRIES, INC.

MANUFACTURER OF QUALITY ALUMINUM WINDOWS AND GLASS DOORS

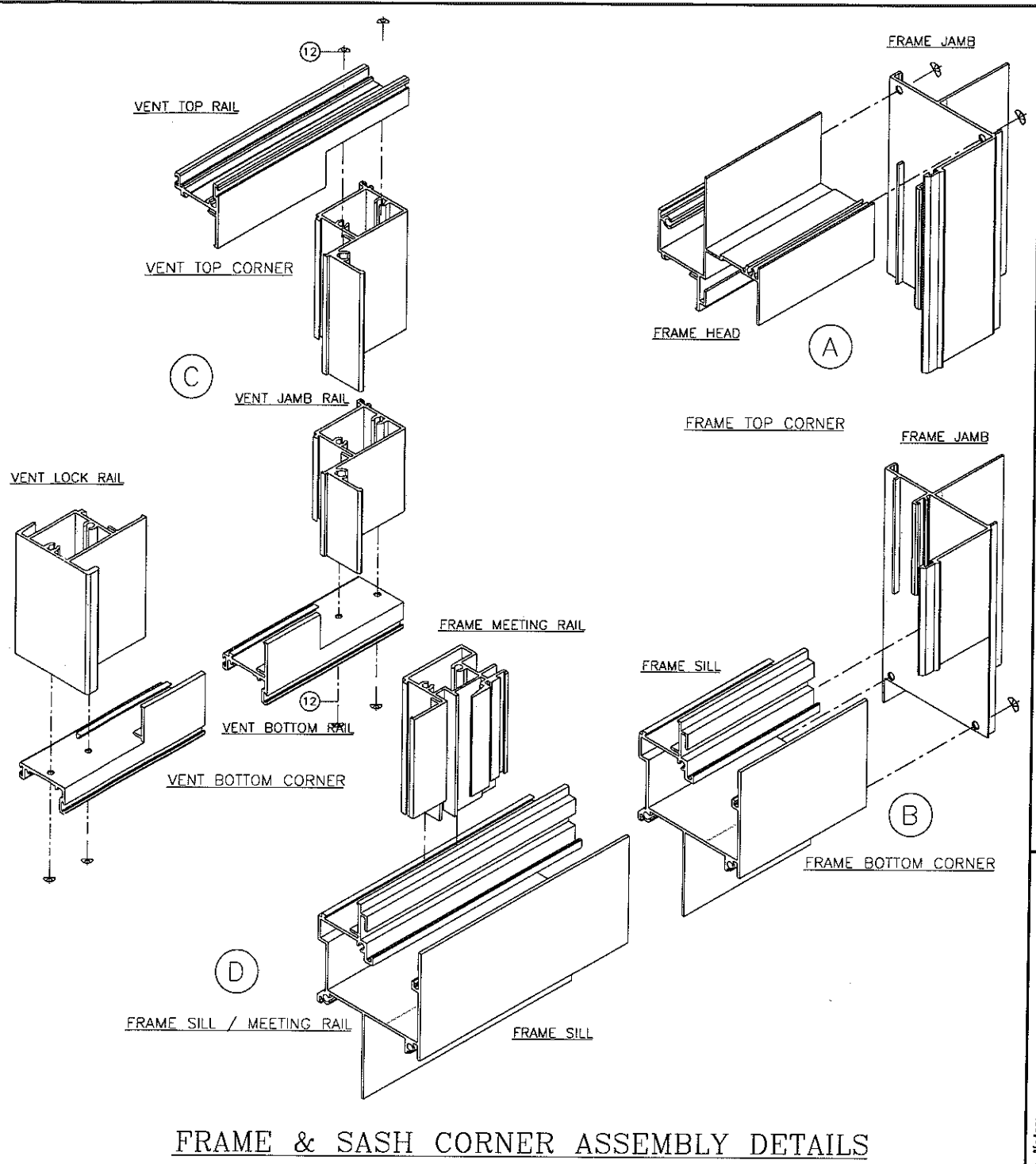
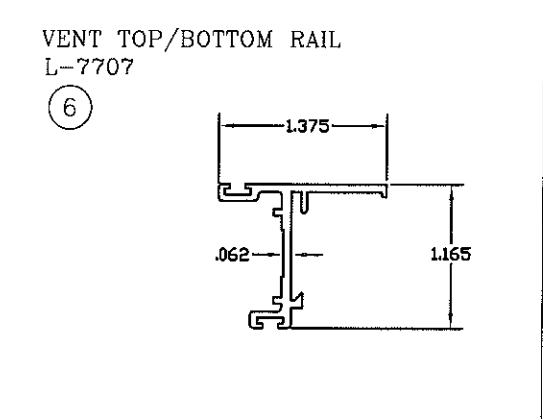
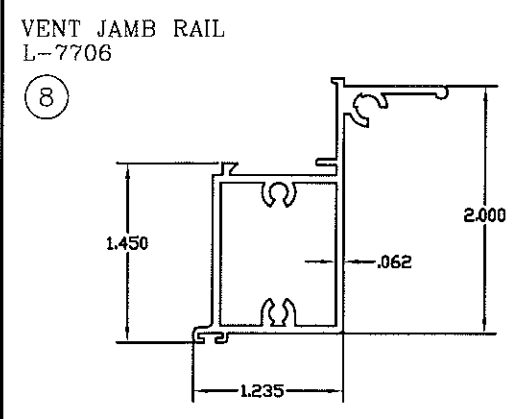
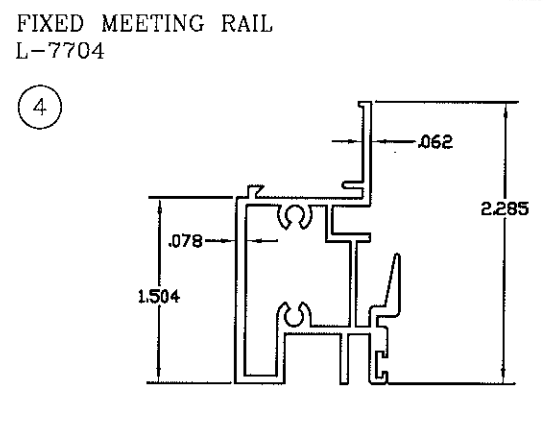
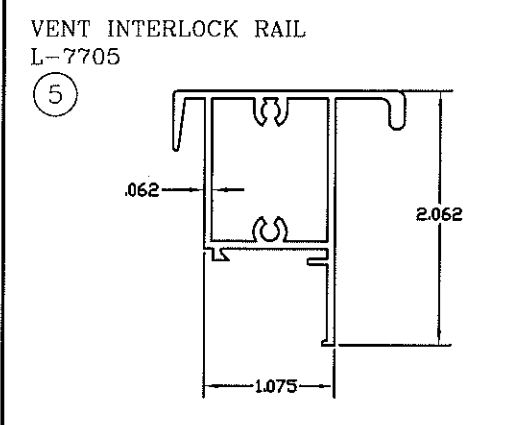
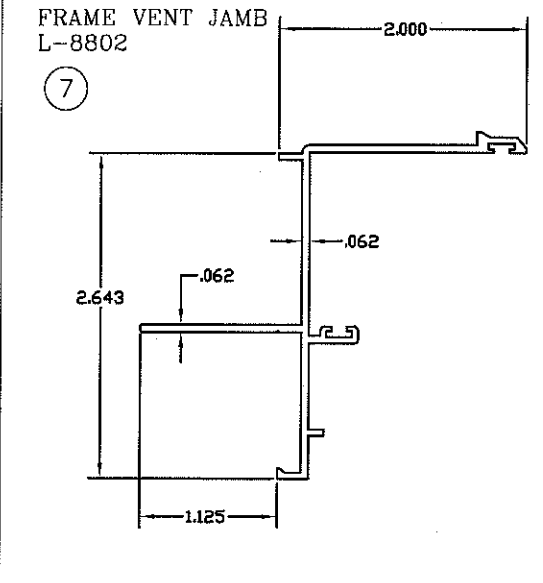
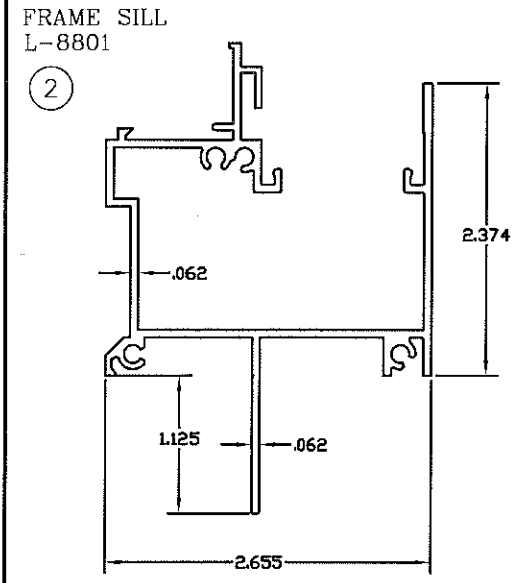
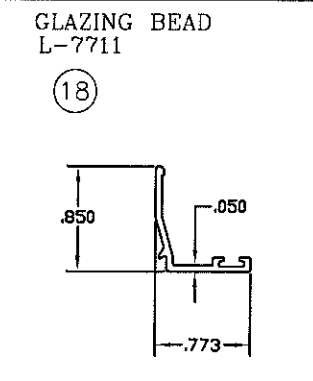
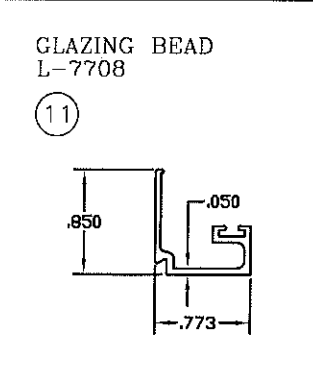
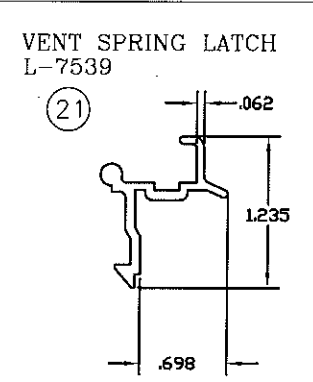
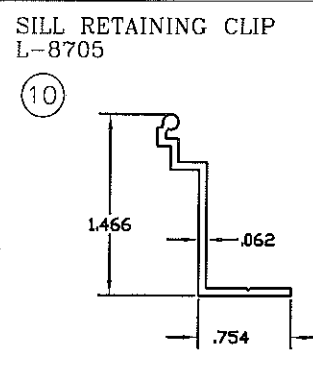
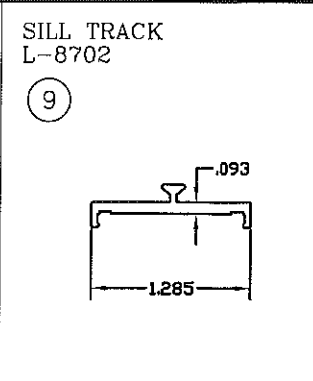
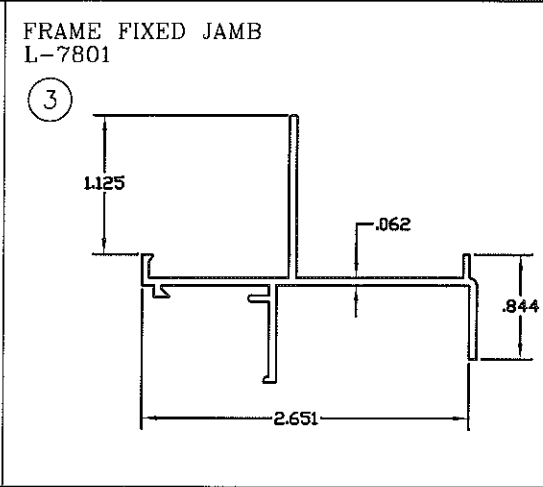
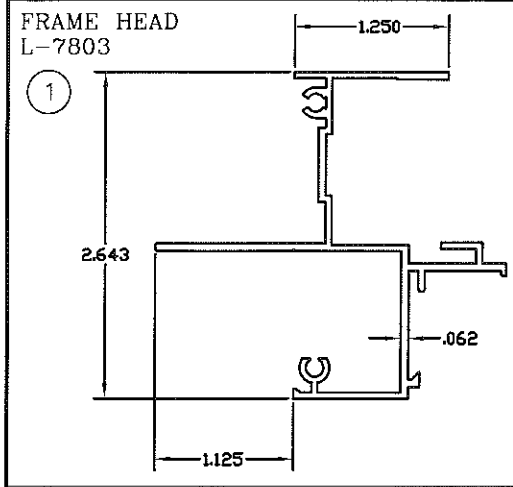
HS-8800 HORIZONTAL ROLLING FIN IMPACT WINDOW
BILL OF MATERIALS, DESIGN LOAD CHART WITH GLASS OPTIONS

Revision Notes: B. Revised to Comply w/ 2010 FBC	C. Revised date for the 2014 FBC	D. Revised date for the 2017 FBC
Drawn By: N. ERAZO	Date Drawn: 04/08/08	
Revised By: N. Erazo	Date Revised: 11/01/17	
Revision Level: D	Scale:	

PRODUCT REVISED
as complying with the Florida
Building Code
Acceptance No. 17-1212-14
Expiration Date 10/19/18
(Signature)
Product Control

THOMAS J. SOTOS
PROFESSIONAL ENGINEER
FL LIC. # 55225
No. 55225
(Signature)
PROFESSIONAL ENGINEER
NONRESIDENTIAL
DATE

Drawing Number: L8800-0801
Sheet: 4 OF 5
Revision #: 4 OF 5



8501 N.W. 90 ST.
MEDLEY, FLORIDA 33166
PH No. (305) 696-8660

LAWSON
INDUSTRIES, INC.

MANUFACTURER OF QUALITY ALUMINUM WINDOWS AND GLASS DOORS

HS-8800 HORIZONTAL ROLLING FIN IMPACT WINDOW
EXTRUSION DETAILS & CORNER ASSEMBLY DETAILS

Product Reference Number: L8800-0801
Drawing Number: L8800-0801
Sheet: 5 OF 5
Revision #: 5

Revision Notes:

B. Revised to comply w/ 2010 FBC	Date Drawn: 04/08/08
C. Revised date for the 2014 FBC	Date Revised: 11/01/17
D. Revised date for the 2017 FBC	Scale: D

Drawn By: N. ERAZO
Revised By: N. Erazo
Revision Level: D

PRODUCT REVISED
to comply with the Florida
Building Code
Acceptance No. 17-1212-14
Expiration Date OCTOBER 2018

THOMAS J. SOTOS
PROFESSIONAL ENGINEER
FL. LIC. # 55225

DATE: 10/1/18