

7500 WINDOW INSTALLATION PROCEDURES

Pre-installation check list:

- A - Are jamb and head bucks installed and anchored per code?
- B - Are bucks aligned with precast sill?
- C - Are bucks properly dimensioned? (1 x 3" min.)
- D - Select and set aside fasteners per N.O.A.

The following instructions are given while standing inside of building:

INSTALLATION

- 1- Place window in vertical position with interior side of window facing you.
- 2- Remove vent from window, and set aside in safe location. (Window weight reduction resulting from vent removal greatly facilitates handling window).
- 3- Back bead interior face of window flange using A.A.M.A. approved caulk. Run a continuous 1/4" diameter bead around entire perimeter of flange. No space should exist where horizontal bead meets vertical bead at corners.
- 4- Raise window up, and place into opening. Move window laterally from side to side to position in center of opening. An equal space should exist on both sides of window. Space must not exceed 1/4" between face of buck and window web. Fig.#3
- 5- Pull window toward you forcing, flanges of window firmly against exterior face of buck. Check flange to ensure that back bedding has flattened against buck, and that back bedding, in compressing, has eliminated any openings or voids.
- 6- Partially install initial fasteners in the sequence as shown in Fig.#1. Do not run fasteners home at this time. This step merely positions window.
- 7- Place level on window sill. Run fasteners home using level to plumb window vertically and horizontally. (Fig.#1)
- 8- Install remaining fasteners in all installation holes. Fastener heads must be fully seated into factory pre punched coined holes. Do not run fasteners aggressively into holes causing frame to bow or loose its shape. Several conditions will result from carelessly overstressing frame i.e.:
 - a. Frame distortion will cause glazing compound to release from glass.
 - b. Balance will not travel freely in frame.
 - c. Frame will rotate collapsing jamb, resulting in vent fitting loosely in jamb pocket.
- 9- Seal heads of any sill fasteners with A.A.M.A. approved seam sealer. Lawsons latest single hung and horizontal rolling windows do not have any sill screws.
- 10- Reinstall vent. Push vent removal clips back into jamb. Vent should move vertically with ease. Vent must remain in up position without any drop.
- 11- Lower vent and latch.
- 12- Recommended frame waterproofing detail is shown in Fig. 2.

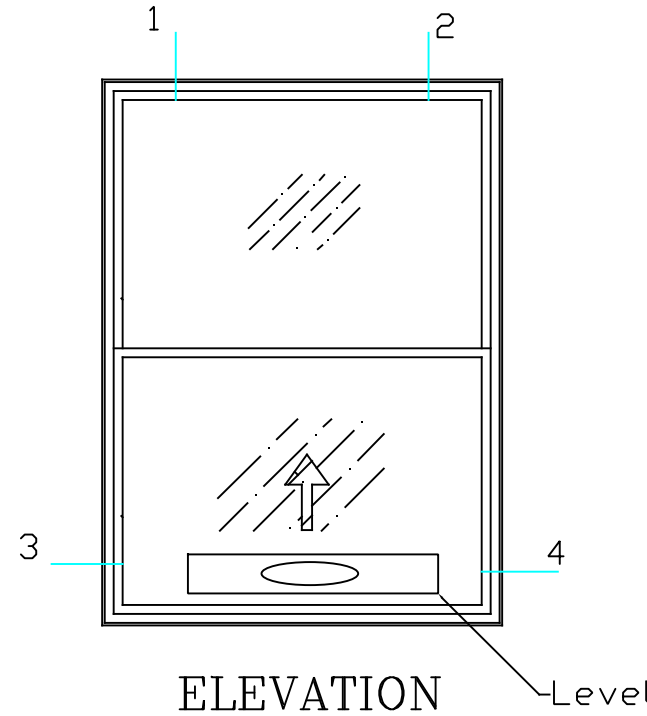
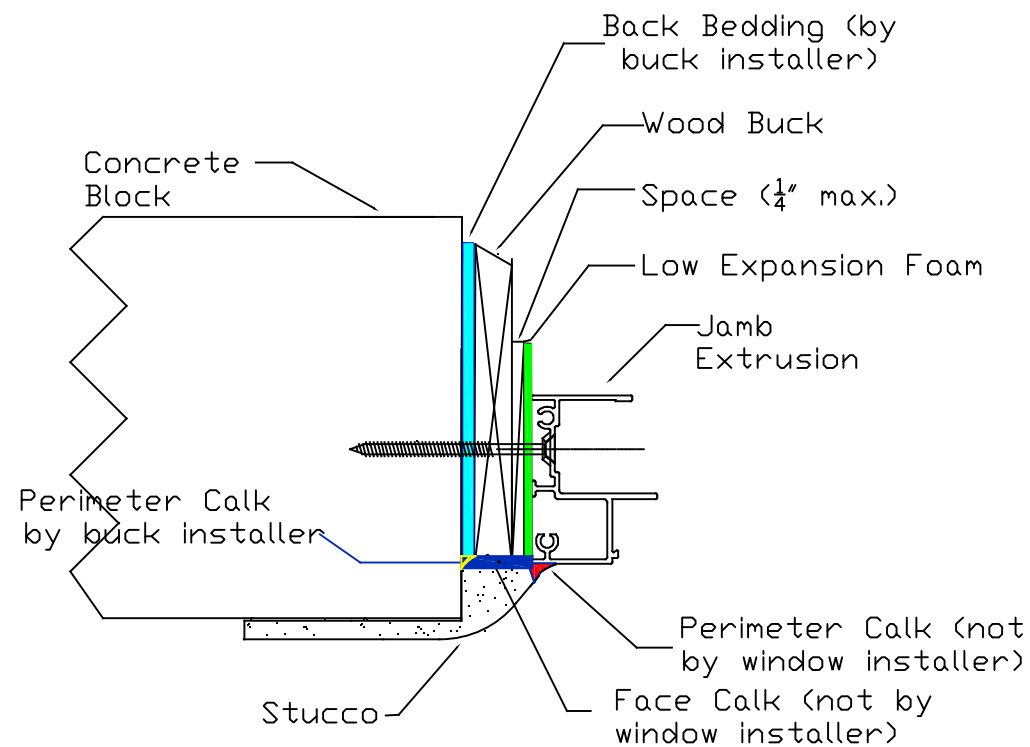
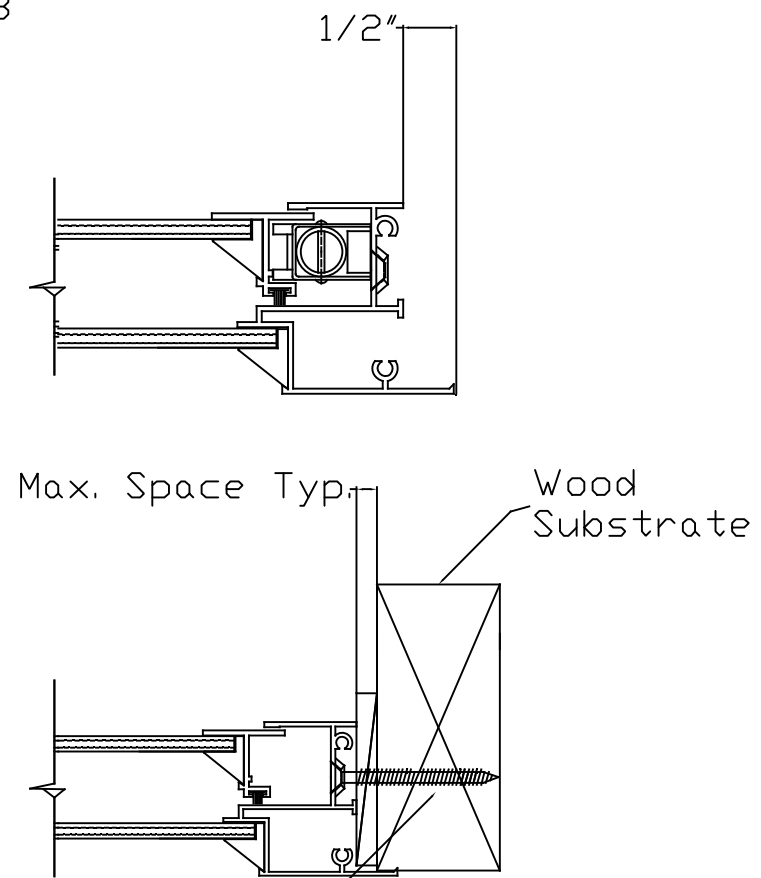


Fig. #1



JAMB SECTION WATERPROOFING

Fig. #3



SEE NOA FOR FASTENER TYPE & SPACING

JAMB SECTION PLAN VIEWS

Revision Notes: ---		
Perimeter: 0.000	Area: 0.000	Wgt/Ft: 0.000
Material: ---	Surface Area: 0.000	Ext. Class: 0.000
Is-x: 0.000	Sz-x: 0.000	C: 0.000
Drawn By: Thomas J. Sotos, P.E.	Date Drawn: 04/18/06	
Revised By: ---	Date Revised: --/--/--	
Factor: 000	CCD: 0.000	Scale: NS

LAWSON INDUSTRIES, INC.

8501 N.W. 90 ST.
MEDLEY, FLORIDA 33166
PH No. (305) 696-8660

MANUFACTURER OF QUALITY ALUMINUM WINDOWS AND GLASS DOORS

Draw Class: --- Part Class: --- Prod Category: --- Series/Model: --- Item: --- Sheet: ---

INSTALLATION INSTRUCTIONS FOR 7500 SINGLE HUNG FLANGE FRAME WINDOWS

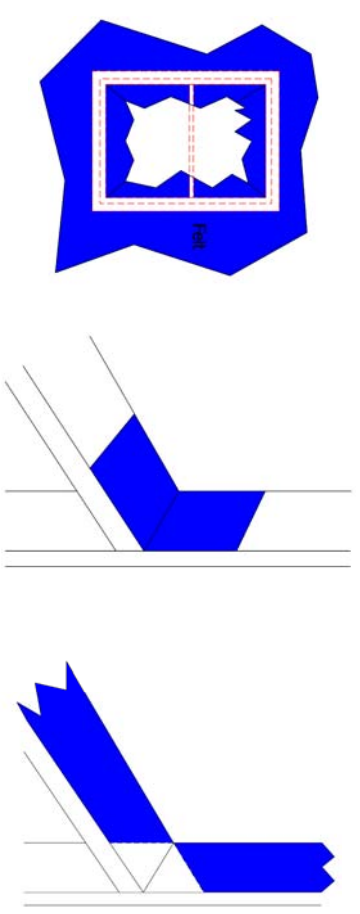
Part Number: --- Drawing Number: --- Revision Level: ---

Fig. #2

Installations instructions for installing the Lawson fin window into a STUCCO TO SPEC WOOD BUCK opening.

- 1— Nail plywood to stud wall and cover plywood completely with 30# felt allowing the felt to completely cover the window opening. (Fig.# 1)
- 2— Lap each inside corner with a 12" strip of 30# felt as shown below. Staple in place (Fig.# 2)
- 3— Cut out the opening and fold back the felt into the window opening over the felt that was lapped into each corner, one wall thickness. Staple in place. Trim off excess. (Fig.# 3)
- 4— Remove vent from window, and set aside in safe location. (Window weight reduction resulting from vent removal greatly facilitates handling window).
- 5— Apply liberal amount of mono caulk by "Trimco" to the entire inside perimeter face of the window fin. Run a continuous 1/4" diameter bead around entire perimeter of fin. No space should exist where horizontal bead meets vertical bead at corners.
- 6— Raise window up, and place into opening. Move window latterly from side to side to position in center of opening. An equal space should exist on both sides of window. Space must not exceed 3/16" between face of buck and window web. Check position of window with a level.
- 7— Push window into opening forcing fins and caulking firmly against the felt strips. Check fin to ensure that back bedding has flattened against felt, and that back bedding, in compressing, has eliminated any openings or voids.
- 8— Partially install top fasteners. Do not run fasteners home at this time. This step merely positions window.
- 9— Place level on window sill. Run fasteners home using level to plumb window vertically and horizontally.
- 10— Install remaining fasteners as specified by the product NOA and seal all heads of fasteners with A.A.M.A. approved seam sealer.
- 11— Reinstall vent. Push vent removal clips back into jamb. Vent should move vertically with ease. Vent must remain in up position without any drop.
- 12— Apply liberal amount of mono caulk to the entire outside perimeter face of the fin.
- 13— Place a strip of 6" wide—15# felt at the base of the window Builders spec. (Fig. 4, #1). The strip should extend 6" beyond the opening on both the right and left side window sill buck. Push the felt into the mono caulking to seal. Securely attach the felt strip in place with staples.
- 14— Place second and third strips at both wall jambs (Fig. 4, #2-3), overlapping sill felt strip at bottom, and run strip up wall to end 6" above jamb.
- 15— Apply final 6" felt strip to header (Fig. 4, #4) by running strip 6" beyond opening on right and left sides, and overlapping both jambs felt strips. Strips should be positioned so that they fully cover the top edge of the window header's fin while making firm contact with web of window's header. Staple strip in place and seal all felt strip edges with Mono.

NOTES: Window opening should be no more than 3/4" larger, side to side and top to bottom than window size. (3/8" per side). Window should be sitting squarely in opening. All fins should be covered by felt strips and no voids should exist between the fins and felt.



Fig# 1

Fig# 2

Fig# 3

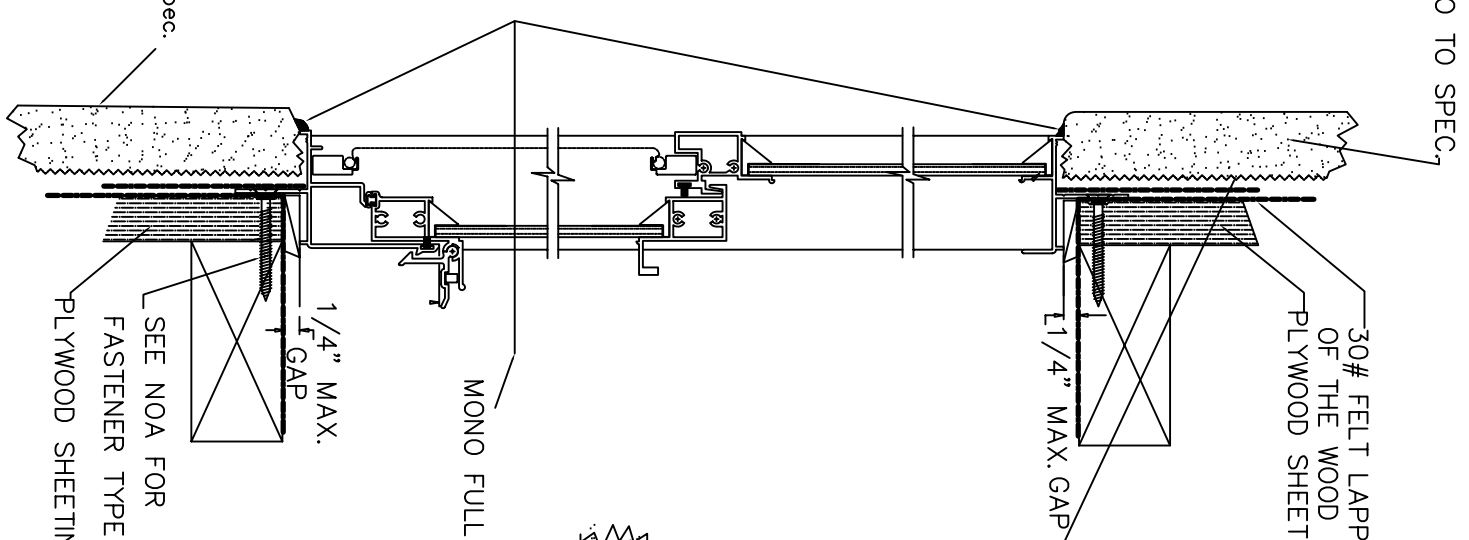


Fig.# 6
Header and Sill Section

Fig# 4

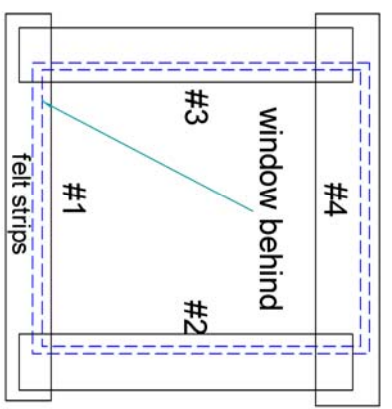
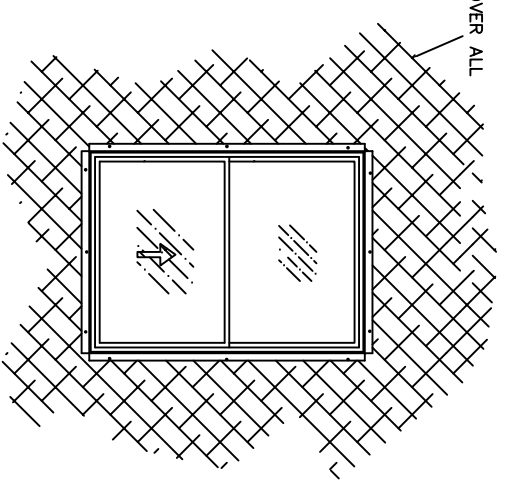


Fig.# 5



Revision Notes:

Perimeter:	Area:	Wgt./Ft:
0.000	0.000	0.000
Maker/Id:	Surface Area:	Est. Class:
---	0.000	0.000
Is--x:	Se--x	C:
0.000	0.000	0.000
Drawn By:	Date Drawn:	Date Revised:
Tom Sates	04/18/06	---
Revised By:	Scale:	Factor:
---	---	---
000	0.000	NS

LAWSON INDUSTRIES, INC.
MANUFACTURER OF QUALITY ALUMINUM WINDOWS AND GLASS DOORS

8501 N.W. 90 ST.
MEDLEY, FLORIDA 33166
PH No. (305) 696-8660

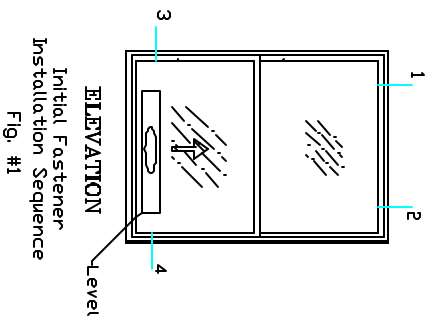
Installation Instructions for 7600 Single Hung
Fin Frame Window in Wood Buck Opening

Part Number: _____ Drawing Number: _____ Revision Level: _____

7700 WINDOW INSTALLATION PROCEDURES

Pre-installation check list:

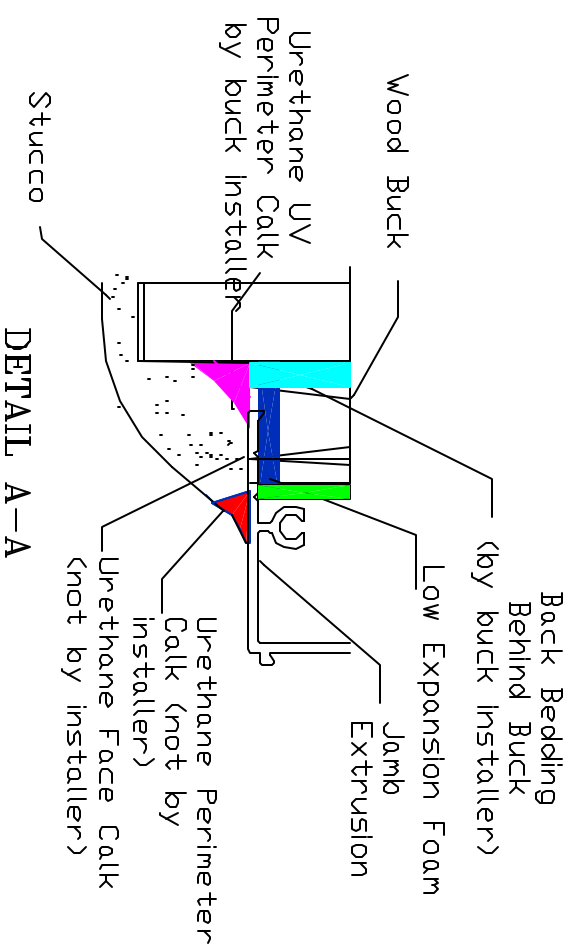
- A - Are jamb and head bucks installed and anchored per code?
- B - Are bucks aligned with precast sill?
- C - Are bucks properly dimensioned? (1 x 3" min.)
- D - Select and set aside fasteners per N.O.A.



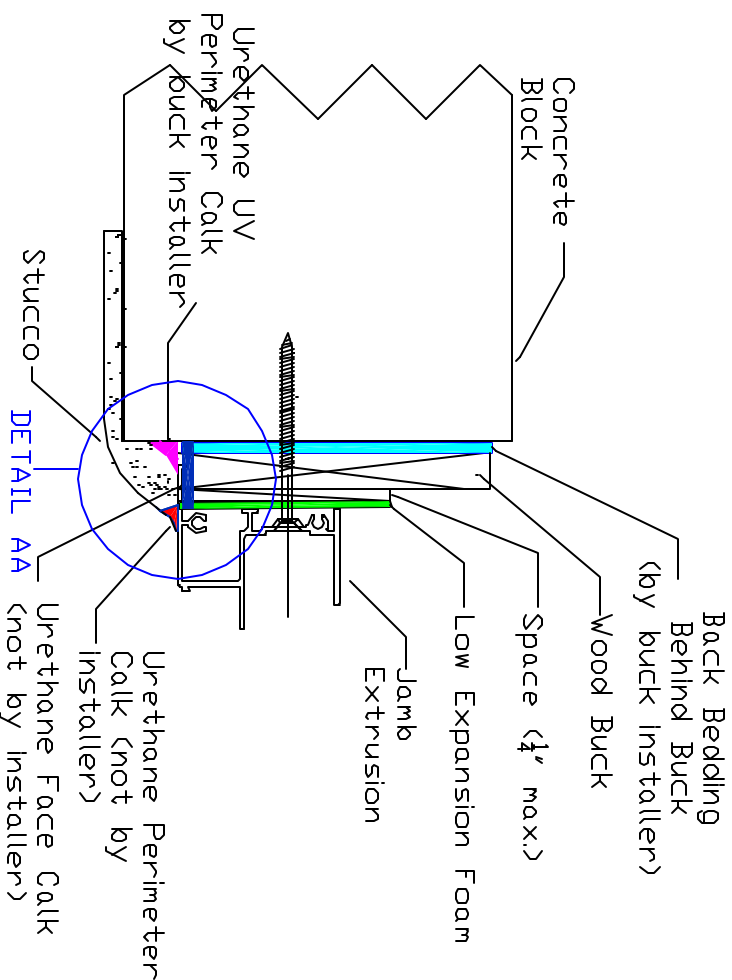
The following instructions are given while standing inside of building:

INSTALLATION

- 1- Place window in vertical position with interior side of window facing you.
- 2- Remove vent from window, and set aside in safe location. (Window weight reduction resulting from vent removal greatly facilitates handling window).
- 3- Back bead interior face of window flange using A.A.M.A. approved caulk. Run a continuous 1/4" diameter bead around entire perimeter of flange. No space should exist where horizontal bead meets vertical bead at corners.
- 4- Raise window up, and place into opening. Move window laterly from side to side to position in center of opening. An equal space should exist on both sides of window. Space must not exceed 1/4" between face of buck and window web. Fig.#3
- 5- Pull window toward you forcing, flanges of window firmly against exterior face of buck. Check flange to ensure that back bedding has flattened against buck, and that back bedding, in compressing, has eliminated any openings or voids.
- 6- Partially install initial fasteners in the sequence as shown in Fig.#1. Do not run fasteners home at this time. This step merely positions window.
- 7- Place level on window sill. Run fasteners home using level to plumb window vertically and horizontally. (Fig.#1)
- 8- Install remaining fasteners in all installation holes. Fastener heads must be fully seated into factory pre punched coined holes. Do not run fasteners aggressively into holes causing frame to bow or loose its shape. Several conditions will result from carelessly overstressing frame i.e.:
 - a. Frame distortion will cause glazing compound to release from glass.
 - b. Balance will not travel freely in frame.
 - c. Frame will rotate collapsing jamb, resulting in vent fitting loosely in jamb pocket.
- 9- Seal all heads of fasteners with A.A.M.A. approved seam sealer.
- 10- Reinstall vent. Push vent removal clips back into jamb. Vent should move vertically with ease. Vent must remain in up position without any drop.
- 11- Lower vent and latch.
- 12- Recommended frame waterproofing detail is shown in Fig. 2.

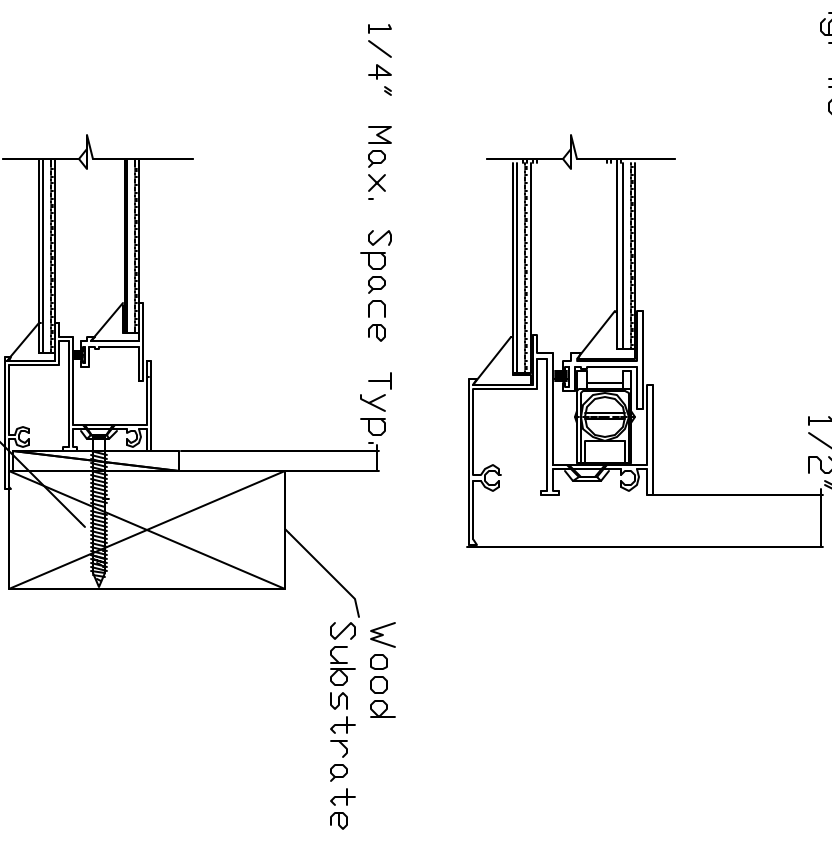


JAMB SECTION WATERPROOFING

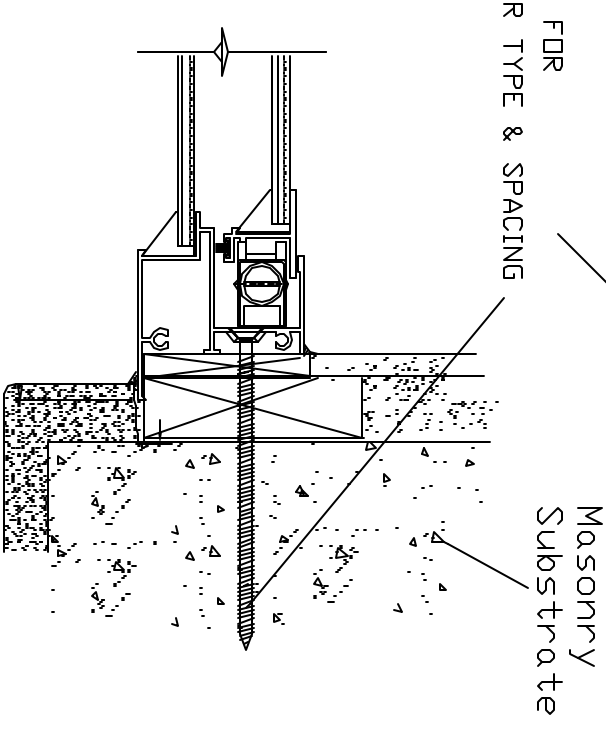


JAMB SECTION WATERPROOFING

Fig. #3



JAMB SECTION PLAN VIEWS



Revision Notes:

Permit No.	Area:	fig./Pt.
0.000	0.000	0.000
Trade/No.	Surface Area:	Part Count:
---	0.000	0.000
Trade/No.	Size:	QTY:
0.000	0.000	0.000
Drawn By:	Checked By:	Scale:
Thomas I. Schem, P.E.	Bruce Benschick	---
000	0.000	NS

LAWSON
INDUSTRIES, INC.

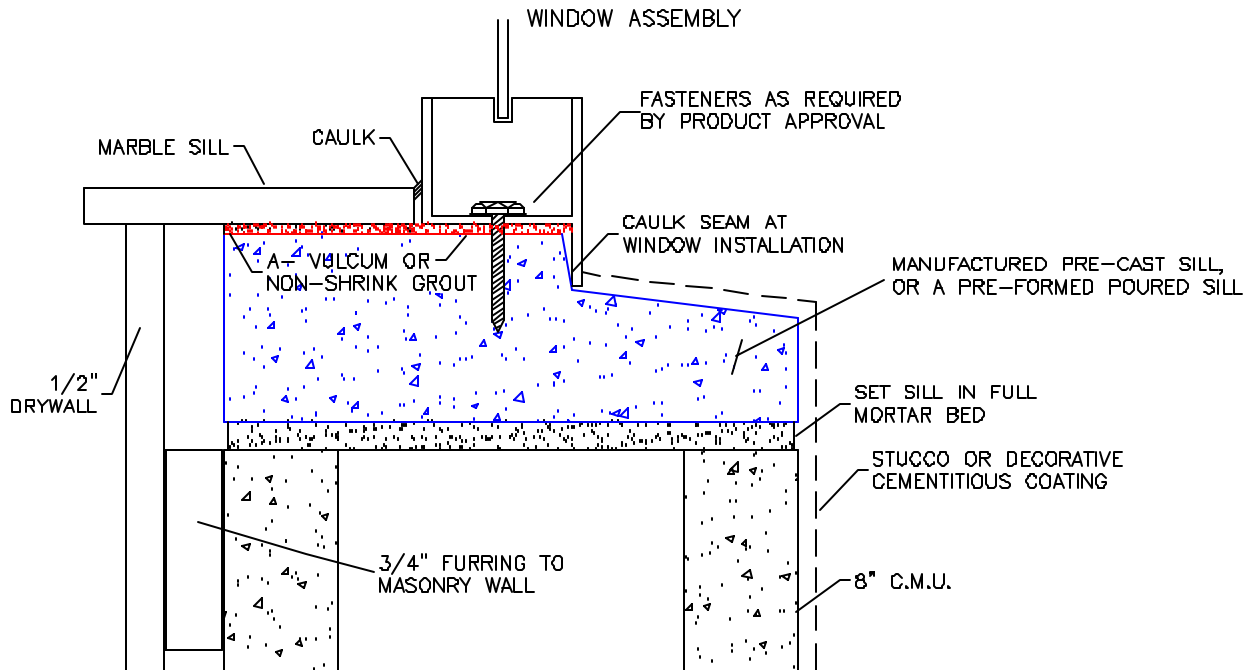
8501 N.W. 90 ST.
MEDLEY, FLORIDA 33166
PH No. (305) 696-8660

MANUFACTURER OF QUALITY ALUMINUM WINDOWS AND GLASS DOORS

INSTALLATION INSTRUCTIONS FOR 7700 SINGLE HUNG FLANGE FRAME WINDOWS

Part Number: _____ Drawing Number: _____ Revision: _____

TYPICAL SILL INSTALLATION



A – Any space existing between window's sill and precast sill will be filled with vulcum, or a non-shrink grout (not by window installer).

B – Under no circumstances should a buck be placed on the precast sill under the window's sill.

SHOULD THE WINDOW BE BUCKED AT THE SILL, OR YOU ELECT TO POUR A SILL UNDER AN INSTALLED WINDOW, LAWSON REQUIRES A SIGNED WAIVER DISCLAIMING POSSIBLE INTERIOR DAMAGE FROM WATER PENETRATION.

Revision Notes:



8501 NW 90th St.
MEDLEY, FLORIDA 33166
(305) 696-8660

MANUFACTURER OF QUALITY ALUMINUM WINDOWS AND GLASS DOORS

Draw Class:	Part Class:	Prod Category:	Series/Model:	Item:	Sheet:
LAYOUT					

Checked By: **XXX** Date Checked:

Drawn By: **Tom Sotos** Date Drawn: April 24, 2007

TYPICAL SILL INSTALLATION

Scale: **NTS** Part Number: Drawing Number: Revision Level: