



DEPARTMENT OF REGULATORY AND ECONOMIC RESOURCES (RER)
BOARD AND CODE ADMINISTRATION DIVISION

MIAMI-DADE COUNTY, FLORIDA
PRODUCT CONTROL SECTION
11805 SW 26 Street, Room 208
T (786) 315-2590 F (786) 315-2599

www.miamidade.gov/economy

NOTICE OF ACCEPTANCE (NOA)

Lawson Industries, Inc.
8501 NW 90th Street
Medley, FL 33166

SCOPE:

This NOA is being issued under the applicable rules and regulations governing the use of construction materials. The documentation submitted has been reviewed and accepted by Miami-Dade County RER-Product Control Section to be used in Miami-Dade County and other areas where allowed by the Authority Having Jurisdiction (AHJ).

This NOA shall not be valid after the expiration date stated below. The Miami-Dade County Product Control Section (In Miami-Dade County) and/ or the AHJ (in areas other than Miami-Dade County) reserve the right to have this product or material tested for quality assurance purposes. If this product or material fails to perform in the accepted manner, the manufacturer will incur the expense of such testing and the AHJ may immediately revoke, modify, or suspend the use of such product or material within their jurisdiction. RER reserves the right to revoke this acceptance, if it is determined by Miami-Dade County Product Control Section that this product or material fails to meet the requirements of the applicable building code.

This product is approved as described herein, and has been designed to comply with the Florida Building Code, including the High Velocity Hurricane Zone.

DESCRIPTION: Series "SGD-9000 Dry Glazed" 8'0" Aluminum Sliding Glass Door w/o Reinforcement - N. I.

APPROVAL DOCUMENT: Drawing No. L9000-0901, titled "Series SGD-9000 Aluminum Sliding Glass Door (N.I.) No Steel Reinforcement", sheets 01 through 08 of 08, prepared by manufacturer, dated 06/04/09, with the latest revision "B", dated 12/19/14, signed and sealed by Thomas J. Sotos, P. E., bearing the Miami-Dade County Product Control Section Revision stamp with the Notice of Acceptance number and Expiration date by the Miami-Dade County Product Control Section.

MISSILE IMPACT RATING: None.

LABELING: Each unit shall bear a permanent label with the manufacturer's name or logo, city, state, series, and following statement: "Miami-Dade County Product Control Approved", unless otherwise noted herein.

RENEWAL of this NOA shall be considered after a renewal application has been filed and there has been no change in the applicable building code negatively affecting the performance of this product.

TERMINATION of this NOA will occur after the expiration date or if there has been a revision or change in the materials, use, and/ or manufacture of the product or process. Misuse of this NOA as an endorsement of any product, for sales, advertising or any other purposes shall automatically terminate this NOA. Failure to comply with any section of this NOA shall be cause for termination and removal of NOA.

ADVERTISEMENT: The NOA number preceded by the words Miami-Dade County, Florida, and followed by the expiration date may be displayed in advertising literature. If any portion of the NOA is displayed, then it shall be done in its entirety.

INSPECTION: A copy of this entire NOA shall be provided to the user by the manufacturer or its distributors and shall be available for inspection at the job site at the request of the Building Official.

This NOA **revises** and **renews** NOA No. 14-0908.03 and consists of this page 1 and evidence pages E-1 and E-2, as well as approval document mentioned above.

The submitted documentation was reviewed by **Jorge M. Plasencia, P. E.**



P. Sotos
8/24/17

NOA No. 17-0608.05
Expiration Date: August 26, 2022
Approval Date: August 24, 2017

Lawson Industries, Inc.

NOTICE OF ACCEPTANCE: EVIDENCE SUBMITTED

A. DRAWINGS

1. Manufacturer's die drawings and sections.
(Submitted under NOA's No.'s 99-0517.05 and 09-0706.07)
2. Drawing No. L9000-0901, titled "Series SGD-9000 Aluminum Sliding Glass Door (N.I.) No Steel Reinforcement", sheets 01 through 08 of 08, prepared by manufacturer, dated 06/04/09, with the latest revision "B", dated 12/19/14, signed and sealed by Thomas J. Sotos, P. E.

B. TESTS

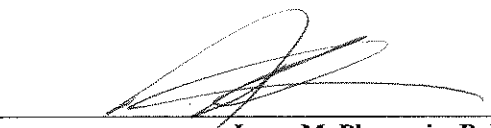
1. Test reports on: 1) Uniform Static Air Pressure Test, Loading per FBC TAS 202-94 along with marked-up drawings and installation diagram of an Aluminum Sliding Glass Door, prepared by Hurricane Engineering & Testing, Inc., Test Reports No.'s HETI-09-2534 and HETI-08-2176, dated 05/05/09, both signed and sealed by Candido F. Font, P. E.
(Submitted under NOA No. 09-0706.07)
2. Test reports on: 1) Air Infiltration Test, per FBC, TAS 202-94
2) Uniform Static Air Pressure Test, Loading per FBC TAS 202-94
3) Water Resistance Test, per FBC, TAS 202-94
4) Forced Entry Test, Type "C" sliding door, Grade 10, per FBC 2411.3.2.1, TAS 202-94 and per ASTM F 842-04
along with marked-up drawings and installation diagram of an Aluminum Sliding Glass Door, prepared by Fenestration Testing Laboratory, Inc., Test Reports No.'s FTL-2019, FTL-2021, FTL-2023, FTL-2024, FTL-2025, FTL-2028, FTL-2029 and FTL-2030, dated 01/04/99, all signed and sealed by Gilbert Diamond, P. E.
(Submitted under NOA No. 99-0517.05)

C. CALCULATIONS

1. Anchor verification calculations and structural analysis, complying with FBC, prepared by Lawson Industries, Inc., dated 04/28/15, signed and sealed by Thomas J. Sotos, P. E.
(Submitted under previous NOA No. 14-0908.03)
2. Glazing complies with ASTM E1300-04/ 09

D. QUALITY ASSURANCE

1. Miami-Dade Department of Regulatory and Economic Resources (RER).



Jorge M. Plasencia, P. E.
Product Control Unit Supervisor
NOA No. 17-0608.05
Expiration Date: August 26, 2022
Approval Date: August 24, 2017

NOTICE OF ACCEPTANCE: EVIDENCE SUBMITTED

E. MATERIAL CERTIFICATIONS


1. Technical data sheet of flexible vinyl compound FPVC 7267-75 (White) & FPVC 7200-75 (Black), published by Team Plastics. Inc./ Bayshore Vinyl Compounds, Inc. a division of Mexichem SAB de CV, LLC.

F. STATEMENTS

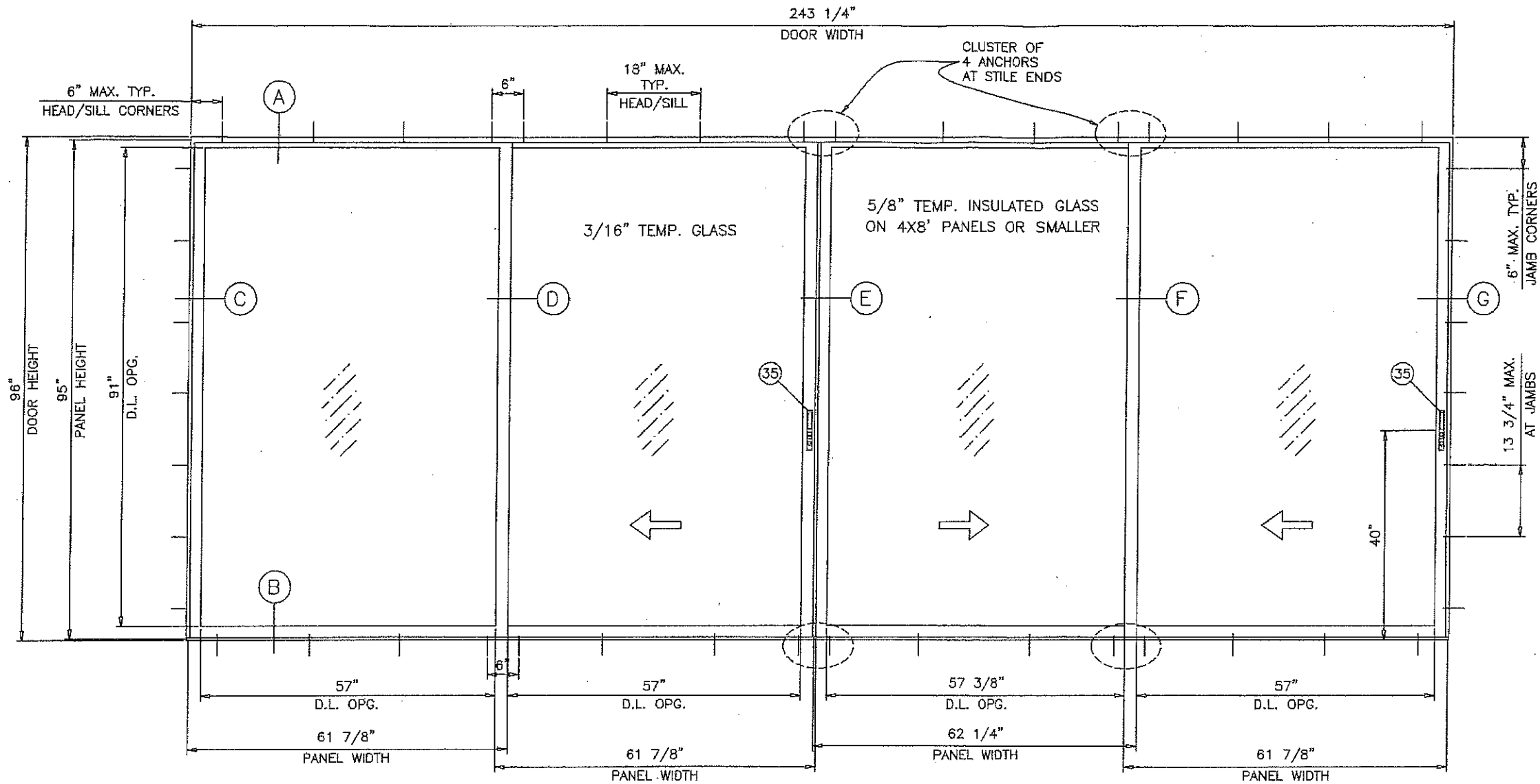
1. Statement letter of conformance to and complying with **FBC 5th Edition (2014)**, issued by manufacturer, dated 05/24/17, signed and sealed by Thomas J. Sotos, P. E.
2. Statement letter of no financial dated 01/22/09, signed and sealed by Thomas J. Sotos, P. E.
(Submitted under NOA No. 09-0706.07)
3. Laboratory compliance letter for Test Report No.'s **HETI-09-2534** and **HETI-08-2176**, issued by Hurricane Engineering & Testing, Inc., dated 05/05/09, signed and sealed by Candido F. Font, P. E.
(Submitted under NOA No. 09-0706.07)
4. Proposal No. **08-0591**, issued by Product Control, dated 07/15/08, signed by Renzo Narciso.
(Submitted under NOA No. 12-1204.12)
5. Laboratory compliance letter for Test Reports No.'s **FTL-2019, FTL-2021, FTL-2023, FTL-2024, FTL-2025, FTL-2028, FTL-2029** and **FTL-2030**, issued by Fenestration Testing Laboratory, Inc., dated 01/04/99, all signed and sealed by Gilbert Diamond, P. E.
(Submitted under NOA No. 99-0517.05)
6. Proposal issued by Product Control, dated 04/14/98, signed by Jaime D. Gascon, P. E.
(Submitted under NOA No. 99-0517.05)

G. OTHERS

1. Notice of Acceptance No. **14-0908.03**, issued to Lawson Industries, Inc. for their Series "**SDG-9000 8'0" Aluminum Sliding Glass Door w/o Reinforcement - N.I.**", approved on 05/07/15 and expiring on 08/26/17.



Jorge M. Plasencia, P. E.
Product Control Unit Supervisor
NOA No. 17-0608.05
Expiration Date: August 26, 2022
Approval Date: August 24, 2017



TYPICAL ELEVATION
TESTED UNIT (OXXX)

SGD-9000 ALUMINUM SLIDING GLASS DOOR

SEE SHEET 2 FOR DESIGN LOAD CAPACITY OF DESIRED PANEL SIZE.

THIS PRODUCT HAS BEEN DESIGNED AND TESTED TO COMPLY WITH THE REQUIREMENTS OF THE 2014 FLORIDA BUILDING CODE 5th EDITION

WOOD BUCKS BY OTHERS, MUST BE ANCHORED PROPERLY TO TRANSFER LOADS TO THE STRUCTURE.

ANCHORS SHALL BE AS LISTED, SPACED AS SHOWN ON DETAILS, ANCHORS EMBEDMENT TO BASE MATERIAL SHALL BE BEYOND WALL DRESSING OR STUCCO.

ANCHORING OR LOADING CONDITIONS NOT SHOWN IN THESE DETAILS ARE NOT PART OF THIS APPROVAL.

**NON-IMPACT
WITHOUT REINFORCING**

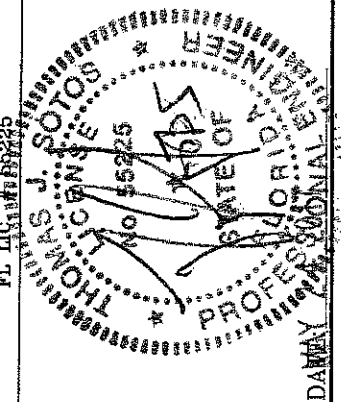
DOORS NOT RATED FOR IMPACT.
INSTALLATION OF THIS PRODUCT REQUIRES THE USE OF APPROVED SHUTTERS OR EXTERNAL PROTECTION DEVICES COMPLYING WITH HVHZ REQUIREMENTS.

PRODUCT REVISED
as complying with the Florida Building Code
NOA-No. **17-0608.05**

Expiration Date **08/26/2022**

By 
Miami-Dade Product Control

THOMAS J. SOTOS
PROFESSIONAL ENGINEER
FL LIC # 11488-25



Revision Notes:
A. Revised to Comply w/ 2010 FBC

B. Revised to Comply w/ 2014 FBC

Drawn By: N. ERAZO
Date Drawn: 06/04/09

Revised By: N. ERAZO
Date Revised: 12/19/14

Revision Level: B
Scale:

LAWSON
INDUSTRIES, INC.

MANUFACTURER OF QUALITY ALUMINUM WINDOWS AND GLASS DOORS

SGD-9000 ALUMINUM SLIDING GLASS DOOR (N.I.)
NO STEEL REINFORCEMENT

GENERAL NOTES AND TEST DOOR CONFIGURATION

8501 N.W. 90 ST.
MEDLEY, FLORIDA 33166
PH No. (305) 696-8660

Product Reference Number:

Drawing Number: L9000-0901

Sheet: 1 OF 8

Revision #:

DESIGN LOAD CAPACITY - PSF									
PANEL WIDTH NOMINAL FT./IN.	DOOR HEIGHT FT./IN.	DOORS WITH 2 PANELS ONLY (3/16" TEMP. GLASS)							
		1-3/4" SILL		2-1/4" SILL		2-1/2" SILL		3" SILL	
		EXT. (+)	INT. (-)	EXT. (+)	INT. (-)	EXT. (+)	INT. (-)	EXT. (+)	INT. (-)
2/0	6/8	40.7	89.3	56.7	89.3	63.3	89.3	64.5	89.3
2/6		40.7	75.3	56.7	75.3	63.3	75.3	64.5	75.3
3/0		40.7	66.2	56.7	66.2	63.3	66.2	64.5	66.2
4/0		40.7	55.4	55.4	55.4	55.4	55.4	55.4	55.4
5/0		40.7	49.9	49.9	49.9	49.9	49.9	49.9	49.9
2/0	8/0	40.7	72.2	56.7	72.2	63.3	72.2	64.5	72.2
2/6		40.7	60.4	56.7	60.4	60.4	60.4	60.4	60.4
3/0		40.7	52.5	52.5	52.5	52.5	52.5	52.5	52.5
4/0		40.7	43.0	43.0	43.0	43.0	43.0	43.0	43.0
2/0	9/0	40.7	54.3	54.3	54.3	54.3	54.3	54.3	54.3
2/6		40.7	44.3	44.3	44.3	44.3	44.3	44.3	44.3

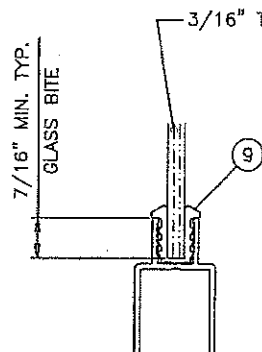
5/8" TEMP. INSULATED GLASS MAY BE USED IN 4X8' PANELS OR SMALLER.

DESIGN LOAD CAPACITY - PSF									
PANEL WIDTH NOMINAL FT./IN.	DOOR HEIGHT FT./IN.	DOORS WITH 3 OR MORE PANELS (3/16" TEMP. GLASS)							
		1-3/4" SILL		2-1/4" SILL		2-1/2" SILL		3" SILL	
		EXT. (+)	INT. (-)	EXT. (+)	INT. (-)	EXT. (+)	INT. (-)	EXT. (+)	INT. (-)
2/6	6/8	40.7	61.4	56.7	61.4	61.4	61.4	61.4	61.4
3/0		40.7	54.0	54.0	54.0	54.0	54.0	54.0	54.0
4/0		40.7	45.3	45.3	45.3	45.3	45.3	45.3	45.3
5/0		40.7	40.9	40.9	40.9	40.9	40.9	40.9	40.9
2/6	8/0	40.7	49.2	49.2	49.2	49.2	49.2	49.2	49.2
3/0		40.7	42.9	42.9	42.9	42.9	42.9	42.9	42.9
4/0		30.0	30.0	30.0	30.0	30.0	30.0	30.0	30.0

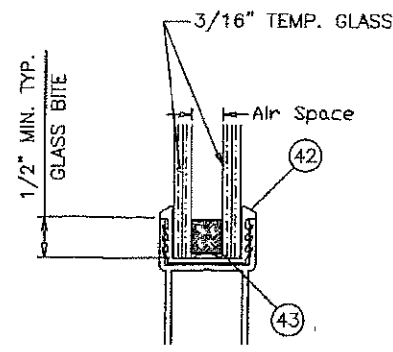
5/8" TEMP. INSULATED GLASS MAY BE USED IN 4X8' PANELS OR SMALLER.

GLASS CAPACITIES ON THESE CHARTS ARE BASED ON
ASTM E1300-98 (60 SEC. WIND)

THIS APPROVES DOORS USING TWO (2) OR THREE (3) TRACK FRAMES WITH ANY NUMBER OF PANELS THAT CONTAIN THE STILE CONFIGURATIONS SHOWN ON SHEETS 4 AND 6, I.E. XX, OX, XO, XXX, OXO, OXXO, AND THE FOLLOWING POCKET DOOR CONFIGURATIONS:
XXp, pXX, XXXp, pXXX, XXXXp, pXXXX, pXXXXp
OXXXp, pXXXX




3/16 TEMP. GLAZING DETAIL



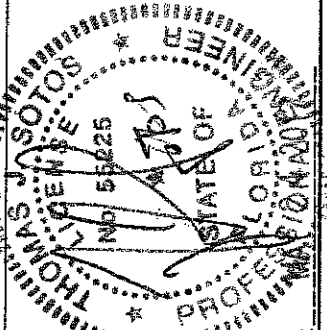
5/8 TEMP. INSULATED GLAZING DETAIL

ITEM #	PART #	QUANTITY	DESCRIPTION	MATERIAL	MANF./SUPPLIER/REMARKS
1	L-9001	1	FRAME HEAD (2 TRACK)	6063-T6 ALUM.	PROFILE
2	L-9002	1	FRAME SILL (2 TRACK)	6063-T6 ALUM.	PROFILE
3	L-9003	2	FRAME JAMB (2 TRACK)	6063-T5 ALUM.	PROFILE
4	L-9004	1/ PANEL	PANEL TOP RAIL	6063-T5 ALUM.	PROFILE
5	L-9005	1/ PANEL	PANEL BOTTOM RAIL	6063-T5 ALUM.	PROFILE
6	L-9006	AS REQD.	LOCK STILE / FIXED STILE	6063-T5 ALUM.	PROFILE
7	L-9007	AS REQD.	SINGLE INTERLOCK STILE	6063-T5 ALUM.	PROFILE
8	L-9008	AS REQD.	ASTRAGAL STILE	6063-T6 ALUM.	PROFILE
9	L-9043	AS REQD.	3/16" GLAZING CHANNEL	TEAM PLASTICS Inc.	See Material Composition @ Sheet 8
10	FS-011	4/ PANEL	PANEL ASS'Y SCREW @ TOP RAIL	-	#10 x 5/8" P.H. - PHILLIPS
11	FS-034	2/ PANEL	PANEL ASS'Y SCREW @ BOTTOM RAIL	-	#10-24 X 1" P.H.-PHIL/ "T"
12	FS-028	8	FRAME ASSEMBLY SCREW	-	#8 X 7/16" P.H.-PHIL. / SMS
13	7519-6001-7	AS REQD.	PILE WTS'P. @ JAMB/ASTRAGAL	-	(0.187"w. x 0.200"h.)-Schlegel
14	7524-6001-6	AS REQD.	PILE WTS'P. @ TOP RAILS	-	(0.187"w. x 0.250"h.)-Schlegel
15	7529-6001-7	AS REQD.	PILE WTS'P. @ BOTTOM RAILS	-	(0.187"w. x 0.300"h.)-Schlegel
16	7520-5001-7	AS REQD.	PILE WTS'P. @ INTERLOCKS	-	(0.187"w. x 0.210"h.)-Schlegel
17		AS REQD.	SILL RISER	6063-T5 ALUM.	SILICONED IN PLACE
18	L-9018	3 OR 4 *	FIXED PANEL JAMB CLIP	6063-T5 ALUM.	GW-27153
19	FS-029	1/ CLIP	FIXED PANEL CLIP SCREW	-	#8 X 5/8" PH.-PHI / SDS
20	AR-001	1	FIXED INTERLOCK ANGLE	6063-T5 ALUM.	3"x 1 1/2"x 1 9/16"x 1/8"
21	AR-002	1	MOVING INTERLOCK ANGLE/CLIP	6063-T5 ALUM.	1 1/2" X 3/4" X 2" X 1/8"
22	L-9022	1	ASTRAGAL RETAINER CLIP	6063-T6 ALUM.	AF-10798
27	*	OPTIONAL	SCREEN JAMB ADAPTER	6063-T6 ALUM.	-
28	L-9028	1	FRAME HEAD (3 TRACK)	6063-T6 ALUM.	-
29	L-9029	1	FRAME SILL (3 TRACK)	6063-T6 ALUM.	-
30	L-9030	2	FRAME JAMB (3 TRACK)	6063-T5 ALUM.	-
31	L-9031	AS REQD.	DOUBLE INTERLOCK STILE	6063-T6 ALUM.	OPTIONAL
32	1071a	2/ PANEL	PANEL TOP RAIL NYLON GUIDE	ST801 Nylon 6-6	Molded Nylon- Rockwell M scale: 79
33	1072a	2/ PANEL	PANEL BOTTOM RAIL NYLON GUIDE	ST801 Nylon 6-6	Molded Nylon- Rockwell M scale: 79
34	HW4-WHL	2/ PANEL	PANEL SINGLE ROLLER	-	6 COMPONENT - ASS'Y 150
35	HC-038	AS REQ'D.	DOOR LOCK ASSEMBLY	-	INT. & EXT. PULLS, CAM, KEEPER
36	LII-109A	1/ PANEL	5/8" INSULATED PANEL TOP RAIL	6063-T6 ALUM.	PROFILE
37	LII-110A	1/ PANEL	5/8" INSULATED PANEL BOTTOM RAIL	6063-T5 ALUM.	PROFILE
38	LII-108	1/ PANEL	5/8" INSULATED PANEL LOCK STILE	6063-T6 ALUM.	PROFILE
39	LII-082	1/ PANEL	5/8" INSULATED PANEL INTERLOCK	6063-T6 ALUM.	PROFILE
40	LII-163	1/ PANEL	5/8" INSULATED PANEL ASTRAGAL	6063-T6 ALUM.	PROFILE
41	AF-10403	AS REQ'D.	POCKET DOOR JAMB HOOK	6063-T6 ALUM.	PROFILE
42	L-9045	AS REQ'D.	5/8 INSULATED GLAZING CHANNEL	TEAM PLASTICS Inc.	See Material Composition @ Sheet 8
43	812-25H-357	AS REQ'D.	"TruSeal" Dura Seal Swiggle Spacer	*	Black - 1/4" Air Space

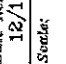
* 4 ON 9/0 HIGH DOORS ONLY

PRODUCT REVISED
as complying with the Florida
Building Code
NOA-No. **17-0608.05**
Expiration Date **08/26/2022**
By 
Miami-Dade Product Control

THOMAS J. SOTOS
PROFESSIONAL ENGINEER
FL LIC. #158095



Revisions Note:
A. Revised to Comply w/ 2010 FBC

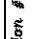
Drawn By: N. ERAZO
Date Drawn: 06/04/08
Revised By: N. ERAZO
Date Revised: 12/19/14
Revision Level: A
Seal: 

8501 N.W. 90 ST.
MEDLEY, FLORIDA 33166
PH NO. (305) 696-8660

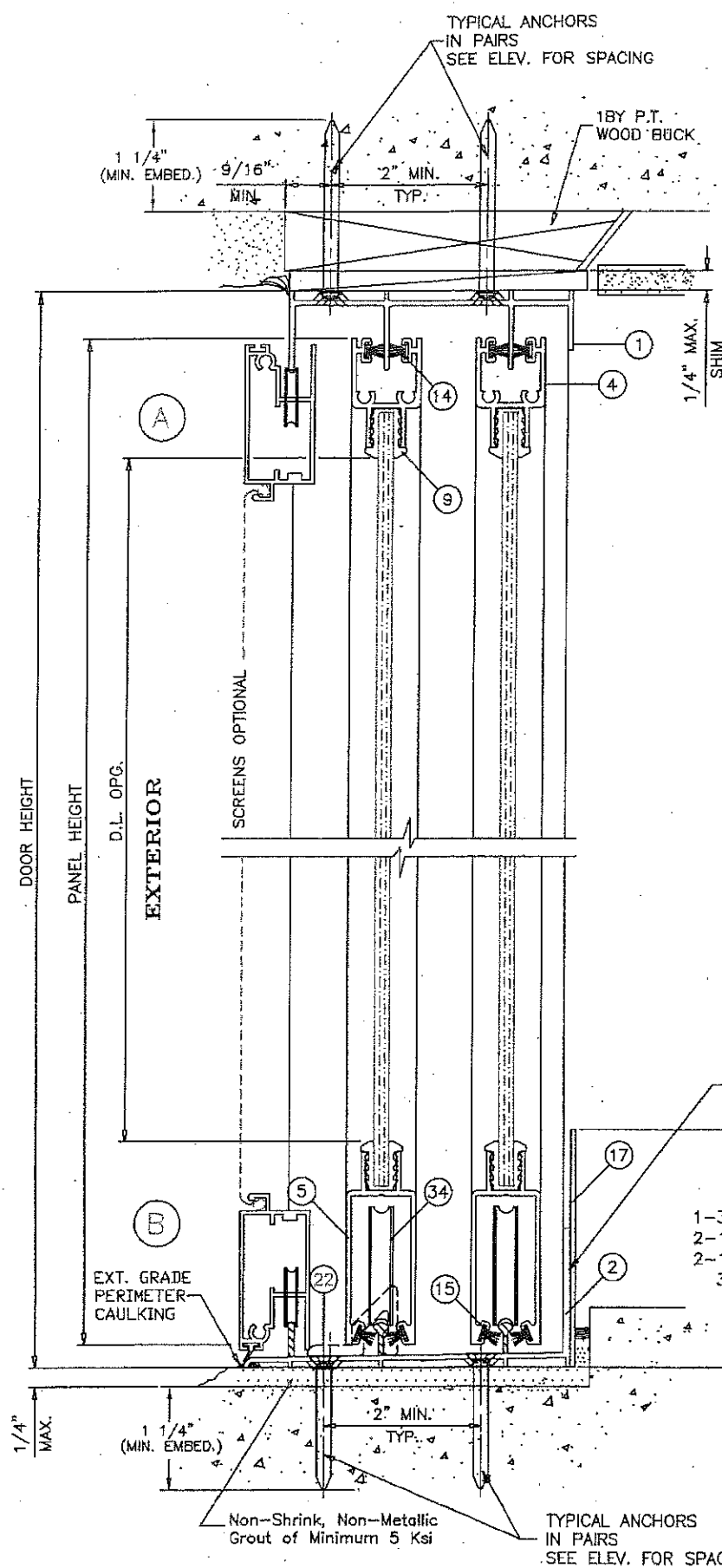
LAWSON INDUSTRIES, INC.

MANUFACTURER OF QUALITY ALUMINUM WINDOWS AND GLASS DOORS

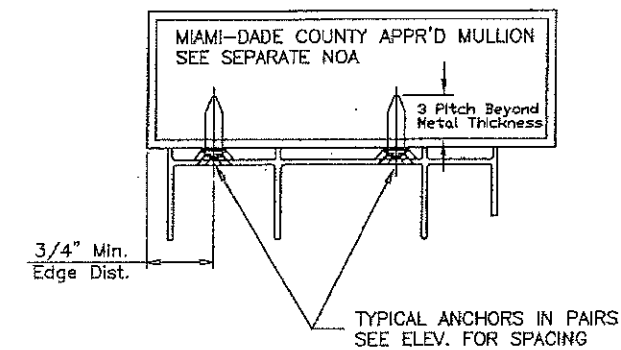
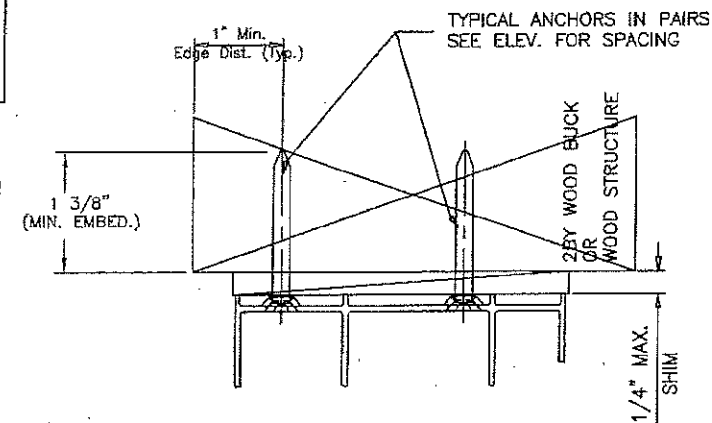
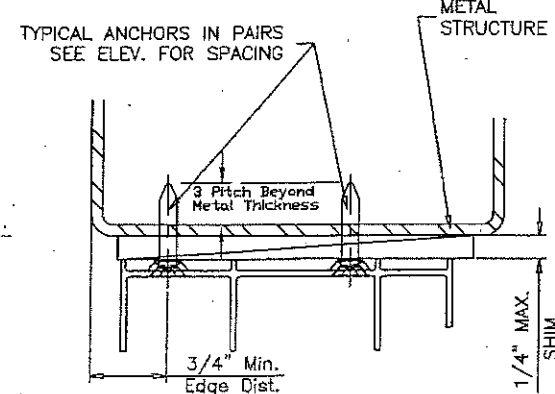
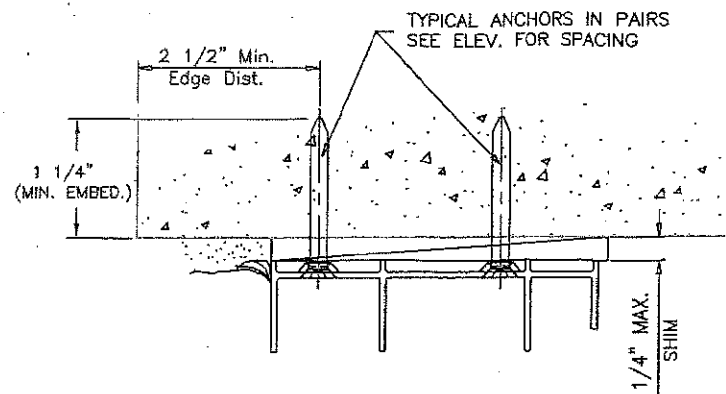
SGD-9000 ALUMINUM SLIDING GLASS DOOR (N.I.)
NO STEEL REINFORCEMENT
BILL OF MATERIALS, GLAZING DETAILS & DP LOAD CHARTS

Product Reference Number: 19000-0901
Sheet 2 OF 8
Revision #: 

DATE:



TWO (2) TRACK SECTION



WOOD BUCKS AND METAL STRUCTURES NOT BY LAWSON IND. MUST SUPPORT LOADS IMPOSED BY GLAZING SYSTEM AND TRANSFER THEM TO THE BUILDING STRUCTURE.

TYPICAL ANCHORS: (SEE ELEV. FOR SPACING)
 1/4" DIA TAPCONS by ITW BUILDEX (Fy= 100 Ksi, Fu= 125Ksi)
 INTO 2BY WOOD BUCKS OR WOOD STRUCTURE
 1-3/8" MIN. PENETRATION INTO WOOD
 THRU 1BY WOOD BUCKS INTO MASONRY OR CONC.
 1-1/4" MIN. EMBED INTO MASONRY OR CONC.
 DIRECTLY INTO CONCRETE OR MASONRY
 1-1/4" MIN. EMBED INTO CONCRETE OR MASONRY

#14 SMS OR SELF DRILLING SCREWS - GRADE 5
 INTO METAL STRUCTURES
 STEEL : 12 GA. MIN. THICK - 0.105" (Fy = 36 KSI MIN.)
 ALUMINUM : 1/8" THK. MIN. (6063-T5 MIN.)

#10 SMS - GRADE 2
 INTO MIAMI-DADE COUNTY APPROVED MULLIONS (MIN. THK. = 1/8")
 (NO SHIM SPACE)

TYPICAL EDGE DISTANCES
 INTO CONCRETE AND MASONRY = 2-1/2" MIN.
 INTO WOOD STRUCTURE = 1" MIN. (OR AS SHOWN)
 INTO METAL STRUCTURE = 3/4" MIN.

SUBSTRATES:
 WOOD BUCK (P.T.) AT HEAD OR JAMBS SG = 0.55 MIN.
 CONCRETE AT HEAD, SILL OR JAMBS F'c = 3000 PSI MIN.
 C-90 GROUT / FILLED BLOCK AT JAMBS F'm = 2000 PSI MIN.

SEALANTS:
 ALL FRAME AND PANEL JOINT, INSTALLATION SCREWS AND HEADS OF ANCHOR SCREWS AT SILL TO BE SEALED WITH SEALANT.

8501 N.W. 90 ST.
 MEDLEY, FLORIDA 33166
 PH No. (305) 696-8660

LAWSON
 INDUSTRIES, INC.

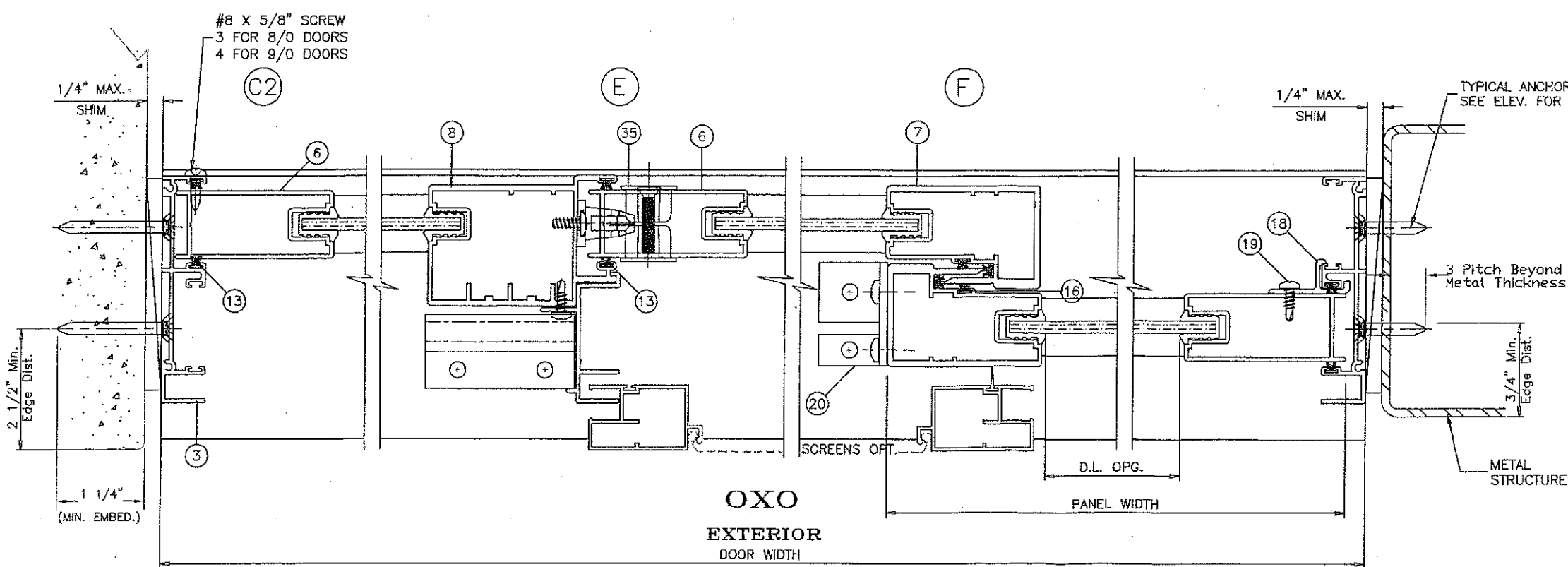
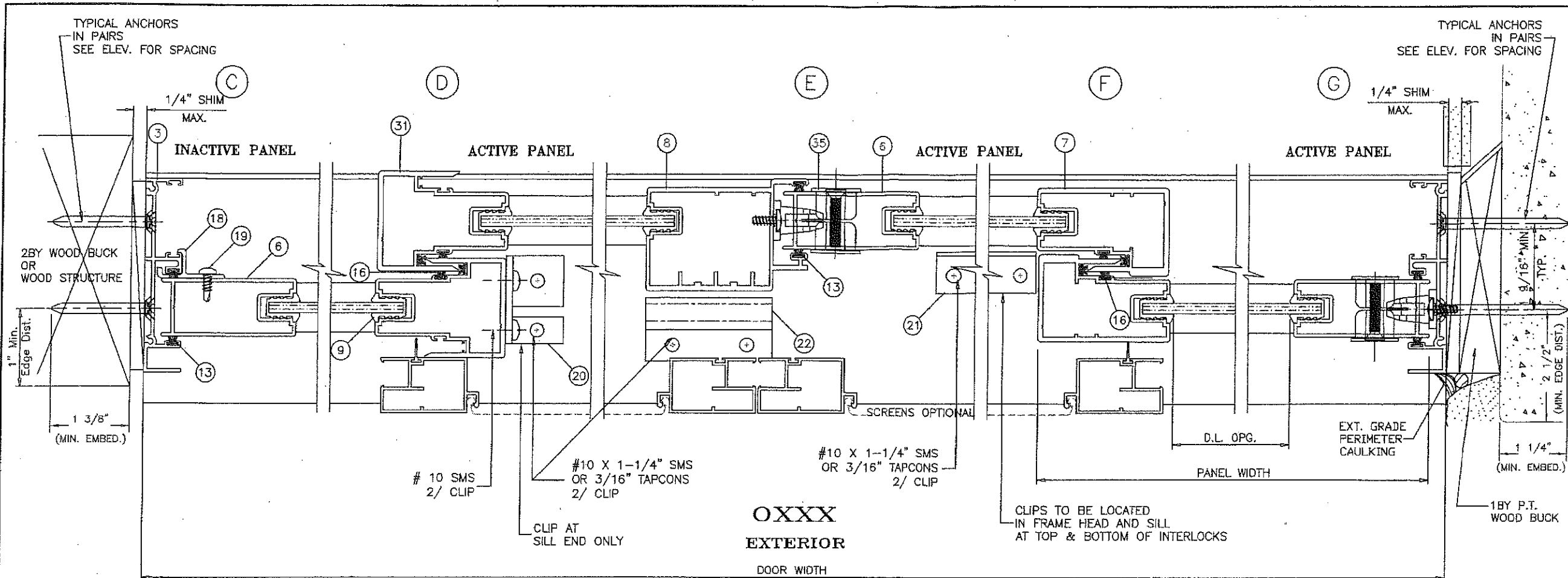
MANUFACTURER OF QUALITY ALUMINUM WINDOWS AND GLASS DOORS
 SGD-9000 ALUMINUM SLIDING GLASS DOOR (N.I.)
 NO STEEL REINFORCEMENT
 2 TRACK VERTICAL SECTIONS, ANCHOR DETAILS & NOTES

Revision Note: A. Revised to Comply w/ 2010 FBC B. Revised to Comply w/ 2014 FBC	Drawn By: N. BRAZO	Date Drawn: 06/04/09
	Revised By: N. BRAZO	Date Revised: 12/19/14
	Revision Level: B	Scale: As Shown

THOMAS J. SOTOS
 PROFESSIONAL ENGINEER
 LICENSE # 15525
 STATE OF FLORIDA
 PROFESSIONAL ENGINEER

DATE: 08/26/2022

PRODUCT REVISED
 as complying with the Florida Building Code
 NOA-No. 17-0608.05
 Expiration Date 08/26/2022
 By *[Signature]*
 Miami-Dade Product Control



TWO (2) TRACK SECTION

8501 N.W. 90 ST.
 MEDLEY, FLORIDA 33166
 PH No. (305) 695-8660

LAWSON
 INDUSTRIES, INC.

MANUFACTURER OF QUALITY ALUMINUM WINDOWS AND GLASS DOORS

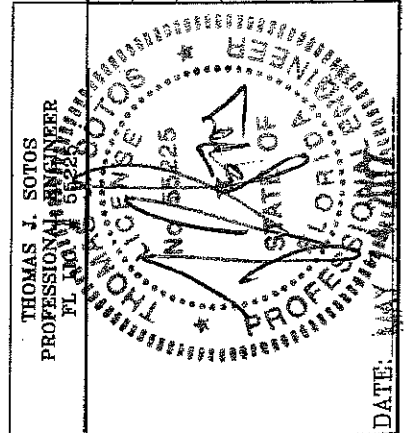
SGD-9000 ALUMINUM SLIDING GLASS DOOR (N.I.)
 NO STEEL REINFORCEMENT
 2 TRACK HORIZONTAL CROSS SECTIONS

Drawing Number: L9000-0901
 Sheet: 4 OF 8
 Revision #:

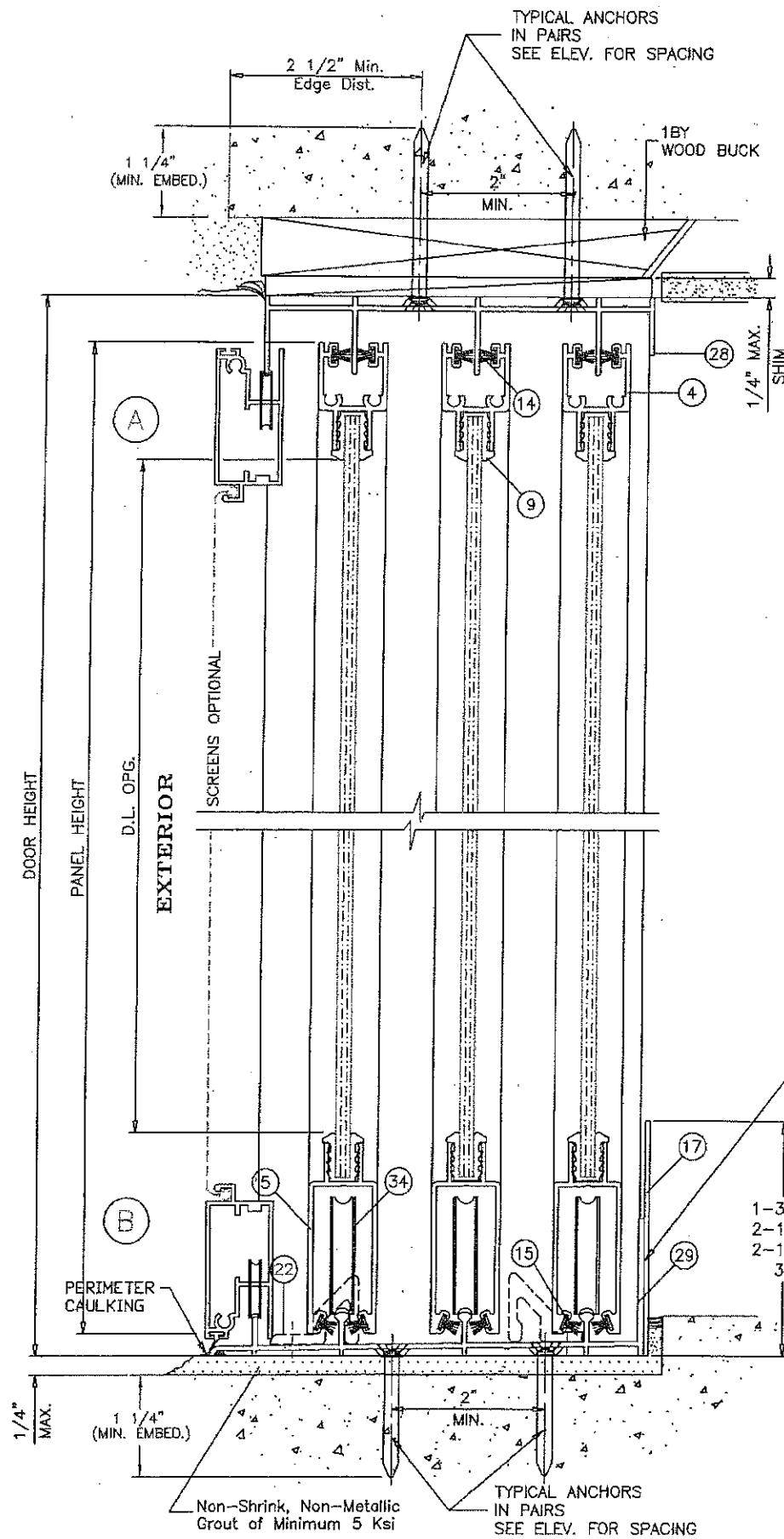
Revision Notes:	A. Revised to Comply w/ 2010 FBC
	B. Revised to Comply w/ 2014 FBC
Drawn By:	N. ERAZO
Revised By:	N. ERAZO
Revision Level:	B
Date Drawn:	06/04/09
Date Revised:	12/19/14
Scale:	

PRODUCT REVISED
 as complying with the Florida
 Building Code
 NOA-No. **17-0608.05**
 Expiration Date **08/26/2022**

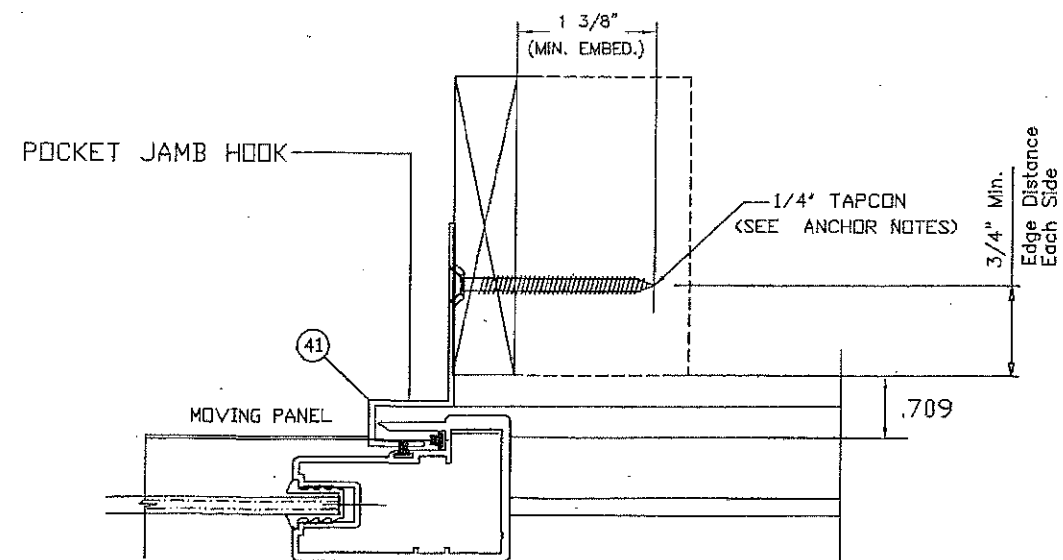
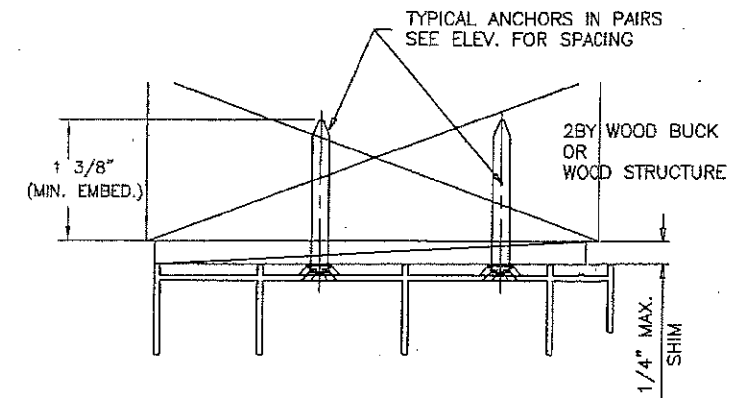
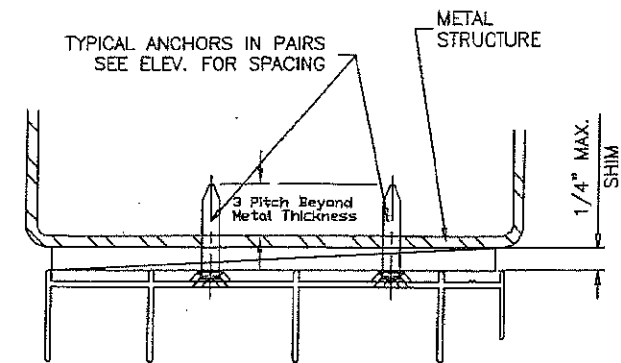
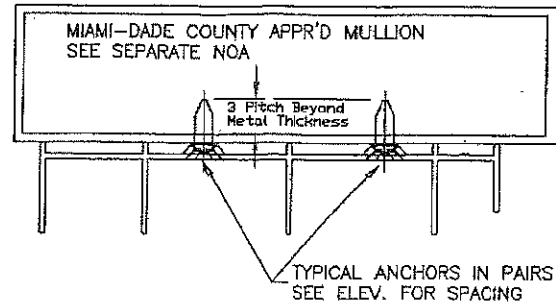
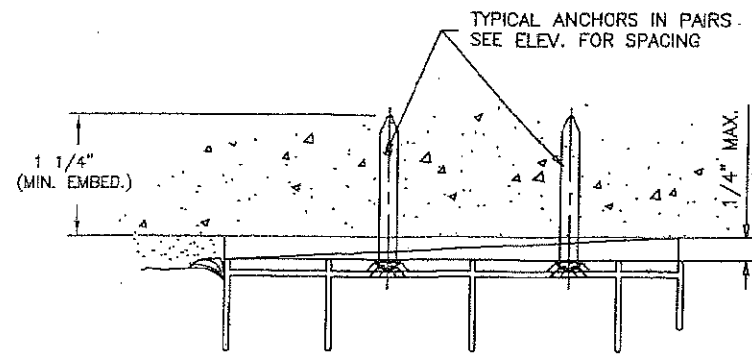
By *[Signature]*
 Miami-Dade Product Control



DATE: MAY 2022



THREE (3) TRACK SECTION



POCKET DOOR JAMB ANCHOR DETAIL

PRODUCT REVISED
 as complying with the Florida
 Building Code
 NOA-No. **17-0608.05**
 Expiration Date **08/26/2022**
 By *[Signature]*
 Miami-Dade Product Control

LAWSON
 INDUSTRIES, INC.

8501 N.W. 90 ST.
 MEDLEY, FLORIDA 33166
 PH No. (305) 696-8660

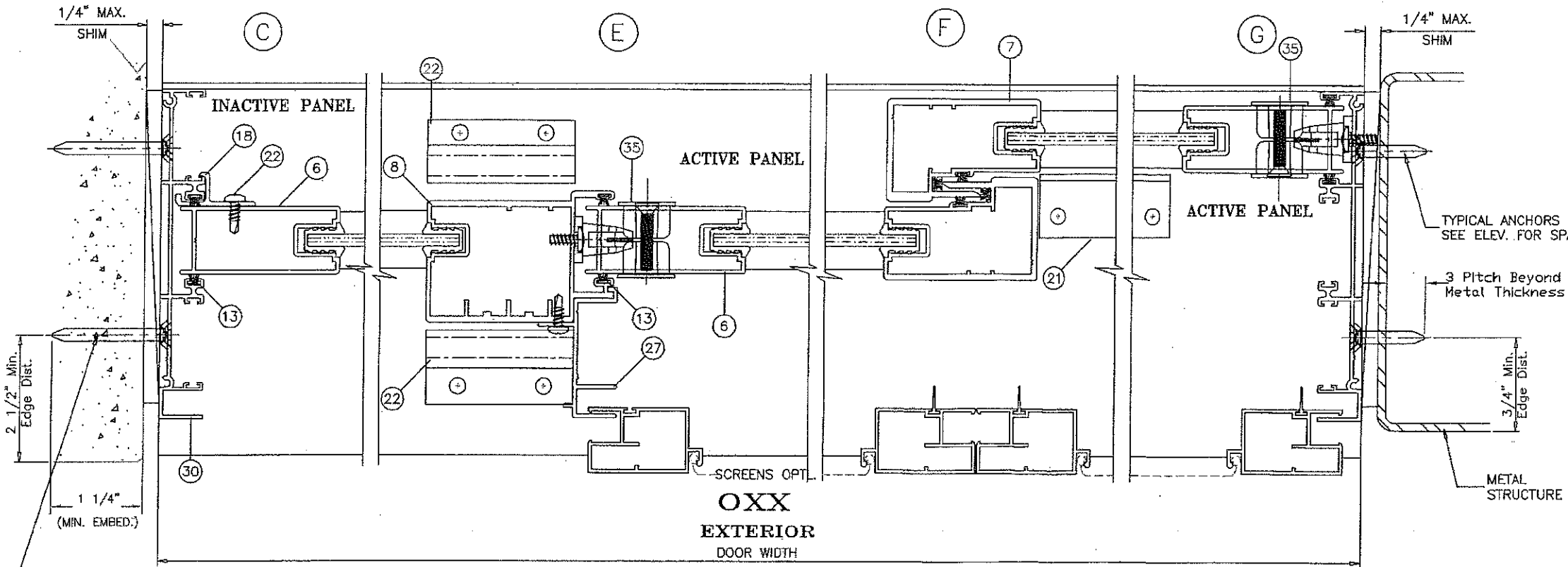
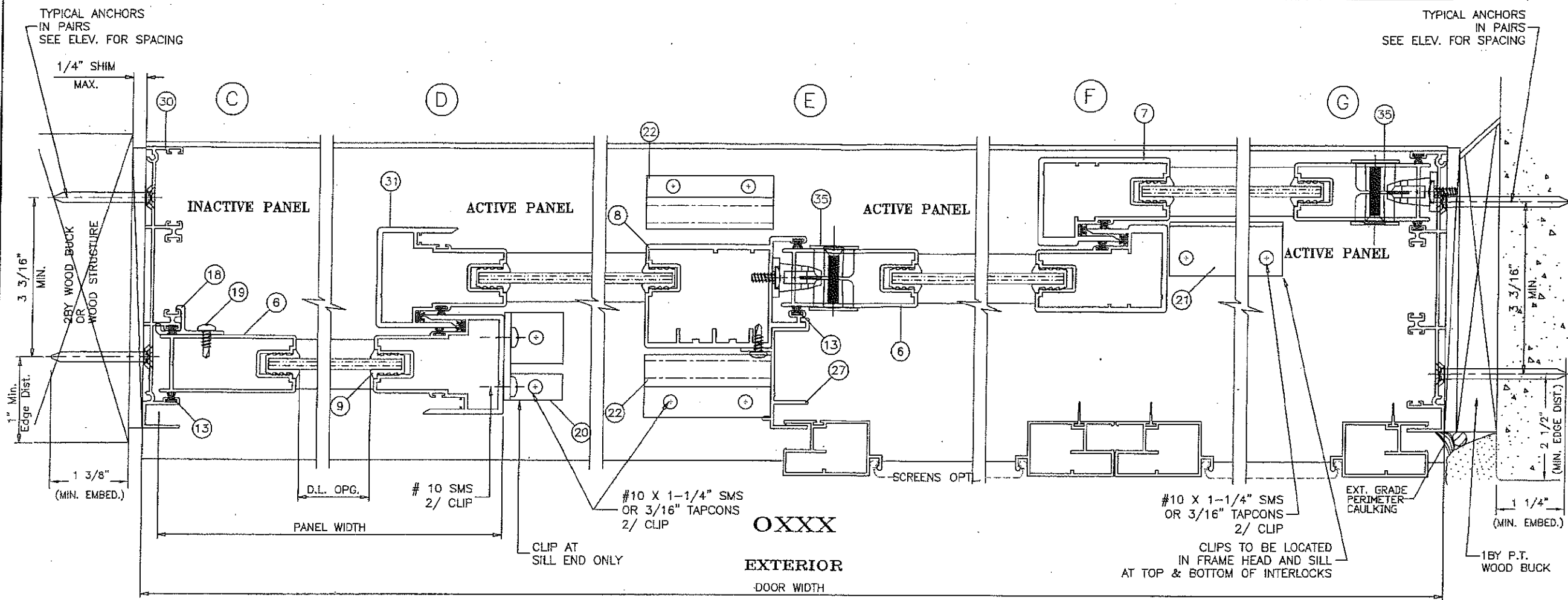
MANUFACTURER OF QUALITY ALUMINUM WINDOWS AND GLASS DOORS
 SGD-9000 ALUMINUM SLIDING GLASS DOOR (N.I.)

NO STEEL REINFORCEMENT
 3 TRACK VERTICAL CROSS SECTIONS, ANCHOR DETAILS & NOTES

Revision Notes:	A. Revised to Comply w/ 2010 FBC
	B. Revised to Comply w/ 2014 FBC
Drawn By:	N. ERAZO
Revised By:	N. ERAZO
Date Drawn:	06/04/09
Date Revised:	12/19/14
Revision Level:	B
Product Reference Number:	18000-0901
Sheet:	5 OF 8
Revision #:	

THOMAS J. SOTOS
 PROFESSIONAL ENGINEER
 FL LICENSE # 56225

DATE: _____



PRODUCT REVISED
 as complying with the Florida Building Code
 NOA-No. 17-0608.05
 Expiration Date 08/26/2022
 By Miami-Dade Product Control

LAWSON INDUSTRIES, INC.
 MANUFACTURER OF QUALITY ALUMINUM WINDOWS AND GLASS DOORS
 8501 N.W. 90 ST.
 MEDLEY, FLORIDA 33166
 PH No. (305) 696-8660

SGD-9000 ALUMINUM SLIDING GLASS DOOR (N.I.)
 NO STEEL REINFORCEMENT
 3 TRACK HORIZONTAL CROSS SECTIONS

Product Reference Number: L9000-0901
 Drawing Number: L9000-0901
 Sheet: 6 OF 6
 Revision #:

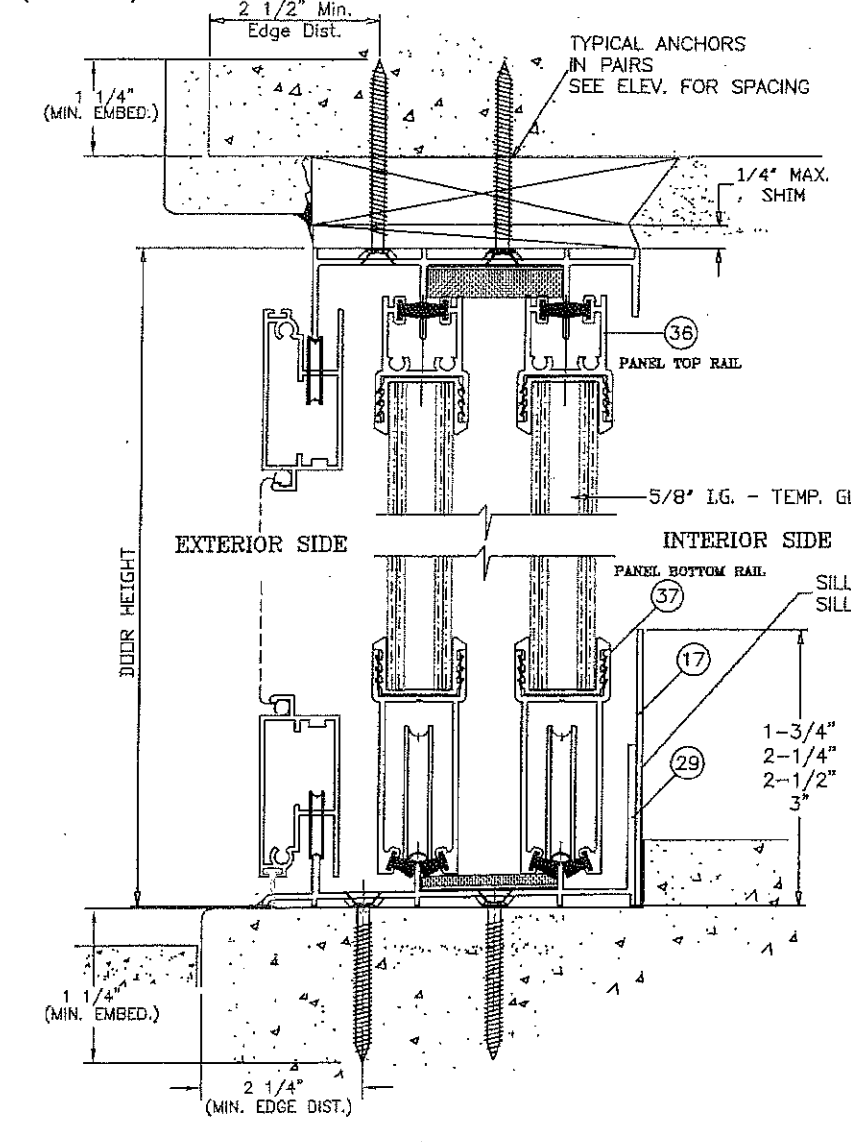
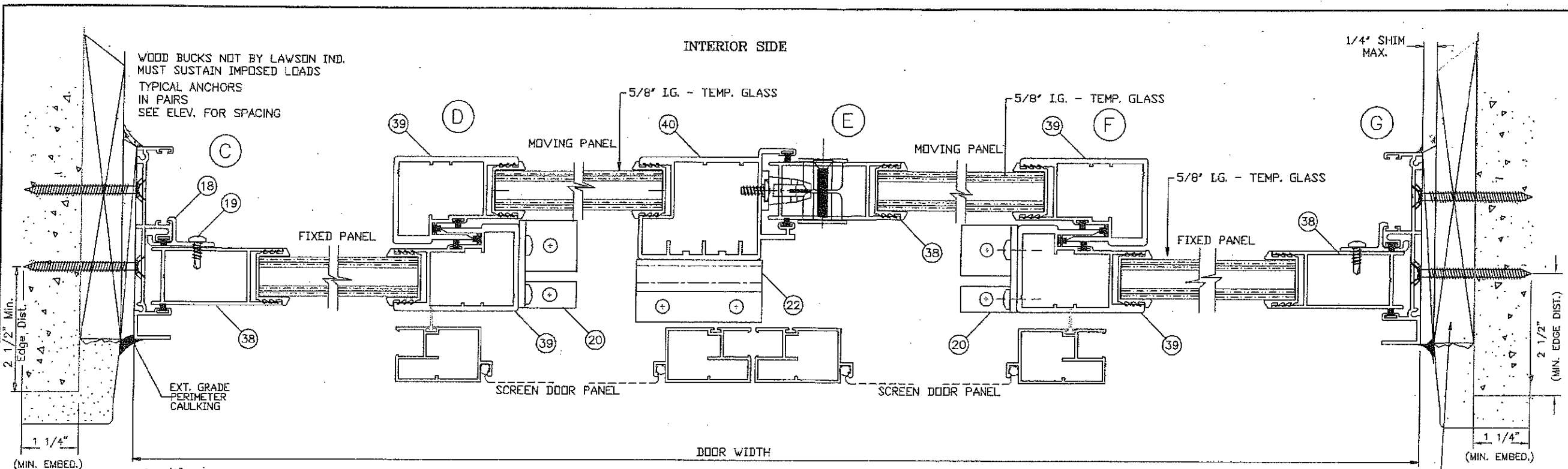
Revision Notes:	A. Revised to Comply w/ 2010 FBC
	B. Revised to Comply w/ 2014 FBC
Drawn By:	N. ERAZO
Date Drawn:	08/04/09
Revised By:	N. ERAZO
Date Revised:	12/19/14
Revision Level:	B

THOMAS J. SOTOS
 PROFESSIONAL ENGINEER
 FL 14614
 11/11/2025

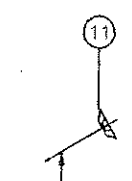
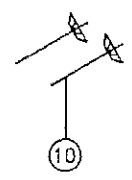
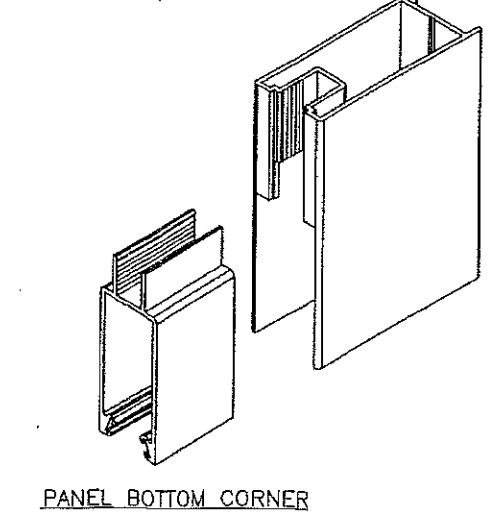
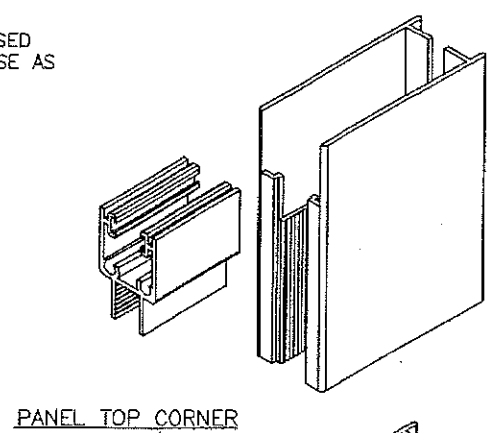
THOMAS J. SOTOS
 PROFESSIONAL ENGINEER
 FL 14614
 11/11/2025

DATE: _____

THREE (3) TRACK SECTION



Note:
INSULATED PANELS APPROVED TO BE USED
IN ANY CONFIGURATION SIMILAR TO THOSE AS
SHOWN ON SHEETS 4, 5, & 6.



PRODUCT REVISED
as complying with the Florida
Building Code
NOA-No. **17-0608.05**
Expiration Date **08/26/2022**
By *[Signature]*
Miami-Dade Product Control

LAWSON
INDUSTRIES, INC.

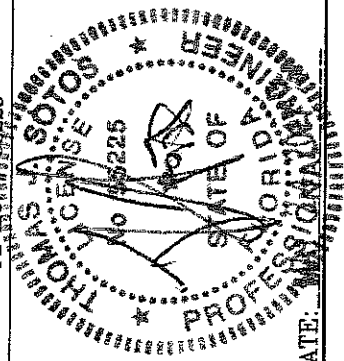
8501 N.W. 90 ST.
MEDLEY, FLORIDA 33166
PH No. (305) 696-8660

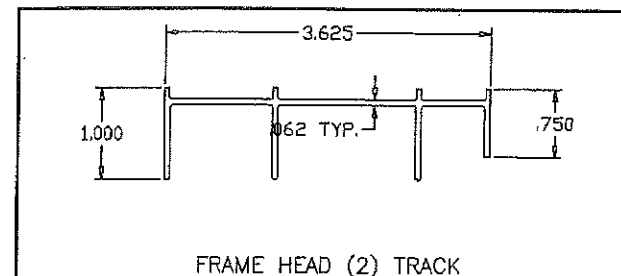
MANUFACTURER OF QUALITY ALUMINUM WINDOWS AND GLASS DOORS
SGD-9000 ALUMINUM SLIDING GLASS DOOR (N.I.)
NO STEEL REINFORCEMENT
INSULATED DOOR PANEL SECTIONS & PANEL TYPE DETAILS

Revision Notes:
A. Revised to Comply w/ 2010 FBC
B. Revised to Comply w/ 2014 FBC

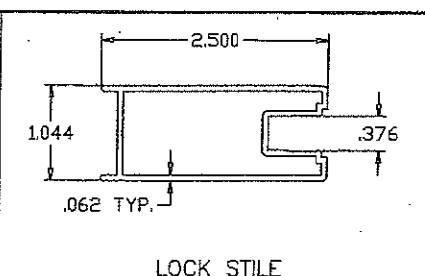
Drawn By:	N. ERAZO	Date Drawn:	08/04/09
Revised By:	N. ERAZO	Date Revised:	12/19/14
Revision Level:	B	Scale:	

THOMAS J. SOTOS
PROFESSIONAL ENGINEER
FL LIC # 55225

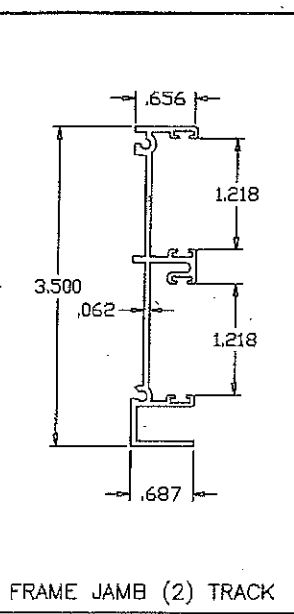




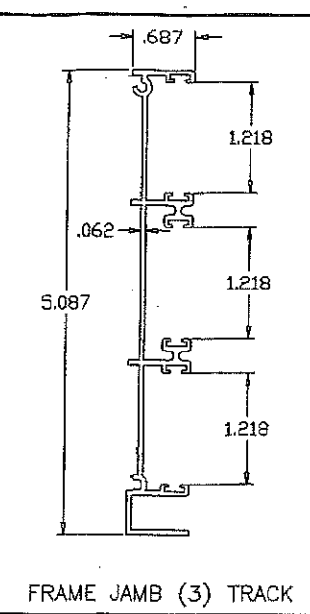
FRAME HEAD (2) TRACK



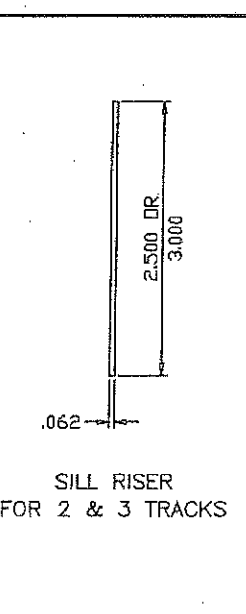
LOCK STILE



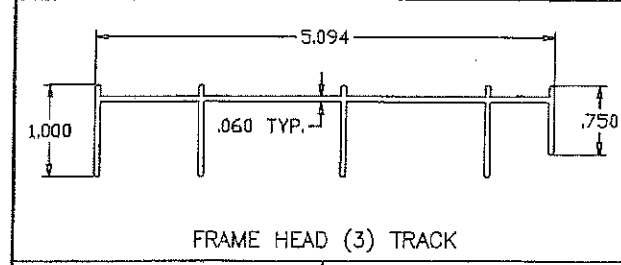
FRAME JAMB (2) TRACK



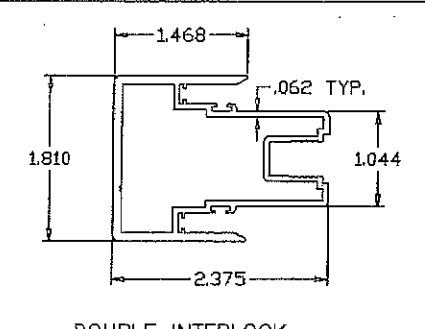
FRAME JAMB (3) TRACK



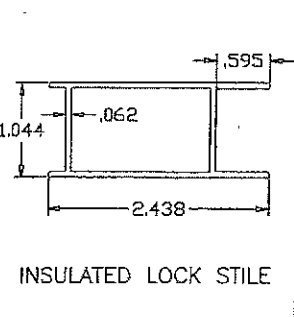
SILL RISER FOR 2 & 3 TRACKS



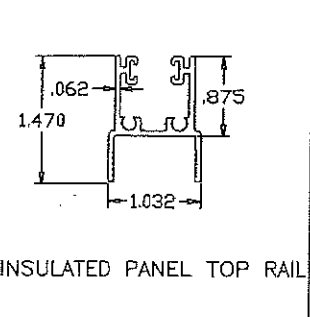
FRAME HEAD (3) TRACK



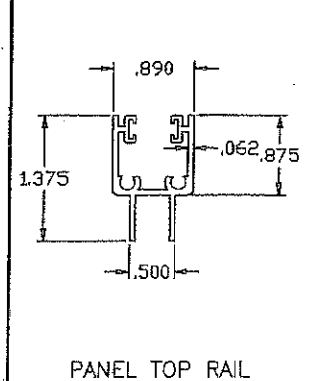
DOUBLE INTERLOCK



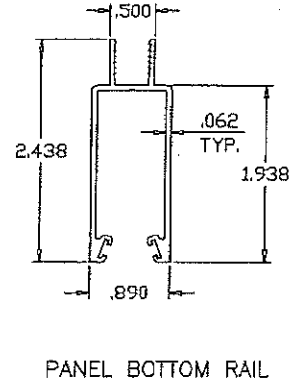
INSULATED LOCK STILE



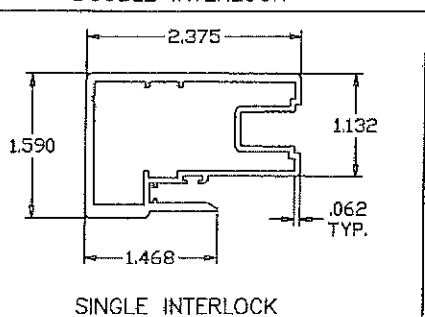
INSULATED PANEL TOP RAIL



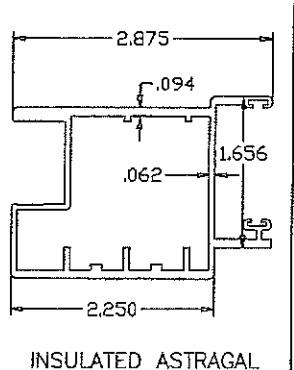
PANEL TOP RAIL



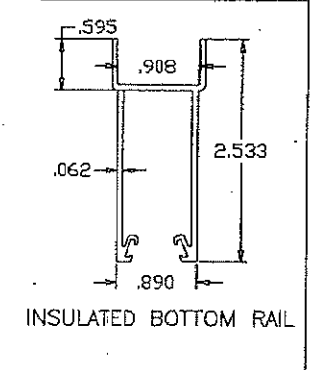
PANEL BOTTOM RAIL



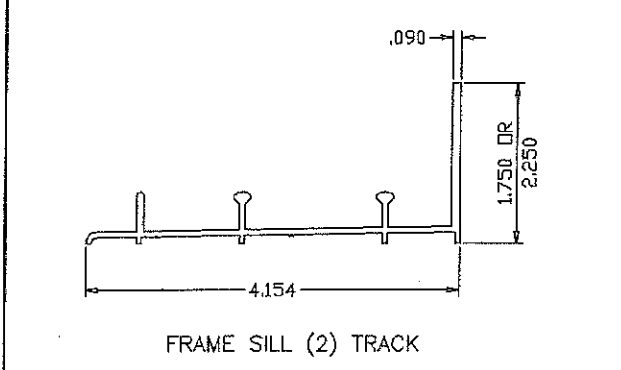
SINGLE INTERLOCK



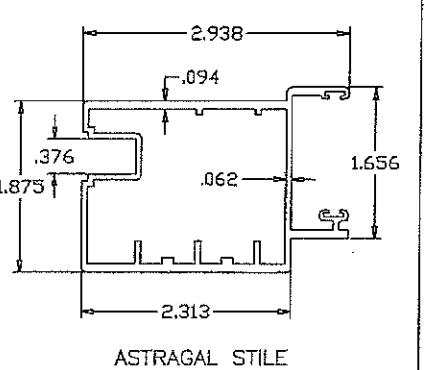
INSULATED ASTRAGAL



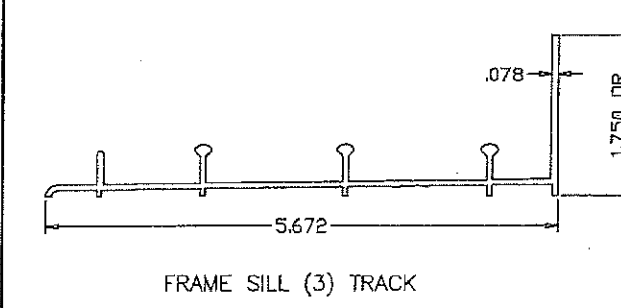
INSULATED BOTTOM RAIL



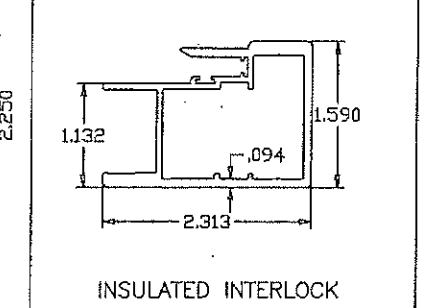
FRAME SILL (2) TRACK



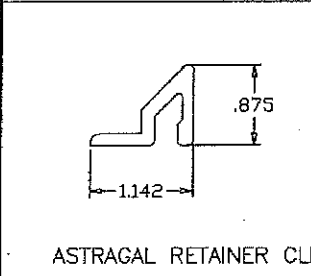
ASTRAGAL STILE



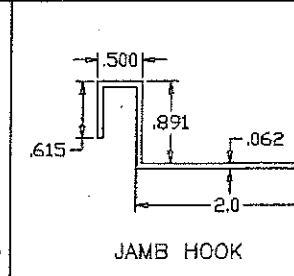
FRAME SILL (3) TRACK



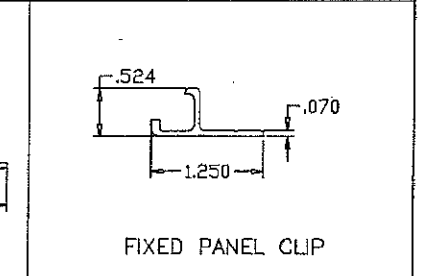
INSULATED INTERLOCK



ASTRAGAL RETAINER CLIP



JAMB HOOK



FIXED PANEL CLIP

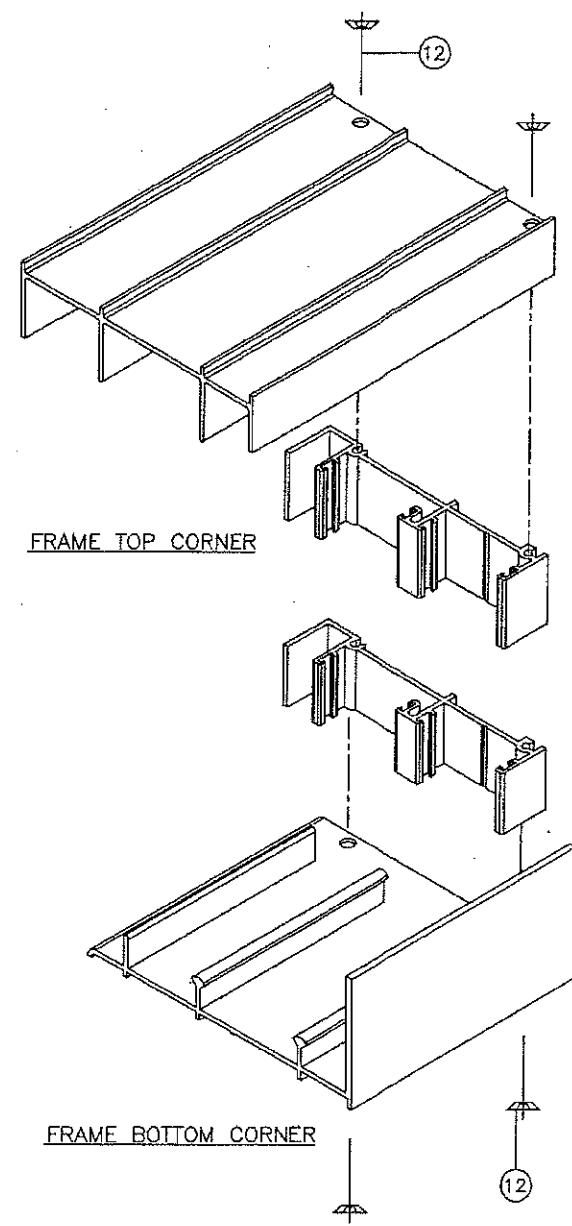
Flexible Vinyl (FPVC) Composition - Team Plastics, Inc.

***1. FPVC Black: Compound No. 7200-75**

PHYSICAL		ASTM NO.
Durometer Hardness "A", 10 sec	75	D-2240
Specific Gravity	1.45	D-792
Tensile Strength, PSI	1640	D-638
Ultimate Elongation, %	340.0	D-638
Modulus @ 100% Elongation, PSI	765.0	D-638
Impact Brittleness,	-31.0	D-746

***2. FPVC White: Compound No. 7267-75**

PHYSICAL		ASTM NO.
Durometer Hardness "A", 10 sec	75	D-2240
Specific Gravity	1.45	D-792
Tensile Strength, PSI	1640	D-638
Ultimate Elongation, %	325.0	D-638
Modulus @ 100% Elongation, PSI	765.0	D-638
Impact Brittleness,	-30.0	D-746



8501 N.W. 90 ST.
MEDLEY, FLORIDA 33166
PH No. (305) 696-8660

LAWSON INDUSTRIES, INC.

MANUFACTURER OF QUALITY ALUMINUM WINDOWS AND GLASS DOORS

SGD-9000 ALUMINUM SLIDING GLASS DOOR (N.I.)
NO STEEL REINFORCEMENT

EXTRUSTION SECTION DRAWINGS & FRAME ASSEMBLY DETAIL

Product Reference Number: L9000-0901
Drawing Number: L9000-0901
Sheet: 6 OF 8
Revision #:

Revision Notes:

A. Revised to Comply w/ 2010 FBC

B. Revised to Comply w/ 2014 FBC

Date Drawn	Date Revised	Soil:
06/04/09	12/19/14	

Drawn By: N. ERAZO
Revised By: N. ERAZO
Revision Level: B

PRODUCT REVISED
as complying with the Florida Building Code
NOA-No. **17-0608.05**
Expiration Date **08/26/2022**
By
Miami-Dade Product Control

THOMAS J. SOTOS
PROFESSIONAL ENGINEER
FL LIC. # 55225

DATE: