



MIAMI-DADE COUNTY
PRODUCT CONTROL SECTION
 11805 SW 26 Street, Room 208
 Miami, Florida 33175-2474
 T (786) 315-2590 F (786) 315-2599
www.miamidade.gov/building

**DEPARTMENT OF REGULATORY AND ECONOMIC RESOURCES (RER)
 BOARD AND CODE ADMINISTRATION DIVISION
 NOTICE OF ACCEPTANCE (NOA)**

**Lawson Industries, Inc.
 8501 NW 90 Street
 Medley, FL 33166**

SCOPE:

This NOA is being issued under the applicable rules and regulations governing the use of construction materials. The documentation submitted has been reviewed and accepted by Miami-Dade County RER - Product Control Section to be used in Miami Dade County and other areas where allowed by the Authority Having Jurisdiction (AHJ).

This NOA shall not be valid after the expiration date stated below. The Miami-Dade County Product Control Section (In Miami-Dade County) and/ or the AHJ (in areas other than Miami-Dade County) reserve the right to have this product or material tested for quality assurance purposes. If this product or material fails to perform in the accepted manner, the manufacturer will incur the expense of such testing and the AHJ may immediately revoke, modify, or suspend the use of such product or material within their jurisdiction. RER reserves the right to revoke this acceptance if it is determined by Miami-Dade County Product Control Section that this product or material fails to meet the requirements of the applicable building code.

This product is approved as described herein, and has been designed to comply with the Florida Building Code, including the High Velocity Hurricane Zone.

DESCRIPTION: Series “4300/ 6300 (Fin-Frame)” Aluminum Fixed Window – L.M.I.

APPROVAL DOCUMENT: Drawing No. **L4300-6300-1201** titled “Series-4300-6300 Fin Frame Impact Fixed Window”, sheets 1 through 5 of 5, dated 02/21/12, with revision **D** dated 07/31/20, prepared by manufacturer, signed and sealed by Thomas J. Sotos, P.E., bearing the Miami-Dade County Product Control Renewal stamp with the Notice of Acceptance number and expiration date by the Miami-Dade County Product Control Section.

MISSILE IMPACT RATING: Large and Small Missile Impact Resistant

LIMITATIONS: 1. Ext grade plywood attached to wood structure, under separate review by AHJ.

LABELING: Each unit shall bear a permanent label with the manufacturer's name or logo, city, state, series, and following statement: "Miami-Dade County Product Control Approved", unless otherwise noted herein.

RENEWAL of this NOA shall be considered after a renewal application has been filed and there has been no change in the applicable building code negatively affecting the performance of this product.

TERMINATION of this NOA will occur after the expiration date or if there has been a revision or change in the materials, use, and/ or manufacture of the product or process. Misuse of this NOA as an endorsement of any product, for sales, advertising or any other purposes shall automatically terminate this NOA. Failure to comply with any section of this NOA shall be cause for termination and removal of NOA.

ADVERTISEMENT: The NOA number preceded by the words Miami-Dade County, Florida, and followed by the expiration date may be displayed in advertising literature. If any portion of the NOA is displayed, then it shall be done in its entirety.

INSPECTION: A copy of this entire NOA shall be provided to the user by the manufacturer or its distributors and shall be available for inspection at the job site at the request of the Building Official.

This NOA **renews NOA No. 20-0813.09** and consists of this page 1 and evidence pages E-1, E-2 and E-3, as well as approval document mentioned above.

The submitted documentation was reviewed by **Manuel Perez, P.E.**



5/25/22

NOA No. 22-0509.03
Expiration Date: July 19, 2027
Approval Date: June 02, 2022
 Page 1

NOTICE OF ACCEPTANCE: EVIDENCE SUBMITTED


1. EVIDENCE SUBMITTED UNDER PREVIOUS NOA's

A. DRAWINGS

1. Manufacturer's die drawings and sections.
(Submitted under NOA No. 12-0416.10)
2. Drawing No **L4300-6300-1202**, titled "Series-4300-6300 Fin Frame Impact Fixed Window", sheets 1 through 5 of 5, dated 02/21/12, with revision **D** dated 07/31/20, prepared by manufacturer, and signed and sealed by Thomas J. Sotos, P.E.
(Submitted under NOA No. 20-0813.09)

B. TESTS

1. Test reports on: 1) Large Missile Impact Test per FBC, TAS 201-94
2) Cyclic Wind Pressure Loading per FBC, TAS 203-94
along with marked-up drawings and installation diagram of an arch and a rectangular fin-frame fixed window, prepared by Hurricane Engineering & Testing, Inc., Test Reports No.: **HETI-12-4011**, dated 03/14/12 and **HETI-11-3362**, dated 03/14/12; all signed and sealed by Candido F. Font, P.E.
(Submitted under NOA No.12-0416.10)
2. Test reports on: 1) Air Infiltration Test, per FBC, TAS 202-94
2) Uniform Static Air Pressure Test, Loading per FBC, TAS 202-94
3) Water Resistance Test, per FBC, TAS 202-94
along with marked-up drawings and installation diagram of a circular arch fin-frame fixed window, prepared by Hurricane Engineering & Testing, Inc., Test Report No. **HETI-08-2026**, dated 10/23/08, signed and sealed by Candido F. Font, P.E.
(Submitted under NOA No. 12-0416.10)
3. Test reports on: 1) Uniform Static Air Pressure Test, Loading per FBC, TAS 202-94
along with marked-up drawings and installation diagram of a rectangular, fin-frame fixed window, prepared by Hurricane Engineering & Testing, Inc., Test Reports No. **HETI-07-4379**, dated 10/23/08 and **HETI-08-2218A**, dated 11/18/08, all signed and sealed by Candido F. Font, P.E.
(Submitted under NOA No. 12-0416.10)
4. Test reports on: 1) Large Missile Impact Test per FBC, TAS 201-94
2) Cyclic Wind Pressure Loading per FBC, TAS 203-94
along with marked-up drawings and installation diagram of a rectangular-, a circular arch- and an elliptical arch fin-frame fixed window, prepared by Hurricane Engineering & Testing, Inc., Test Reports No.: **HETI-09-2540**, dated 09/04/09; **HETI-09-2538**, dated 09/04/09; **HETI-09-2539**, dated 09/04/09; **HETI-09-2536**, dated 09/04/09, **HETI-08-2027**, dated 10/23/08; **HETI-08-2029**, dated 10/23/08; **HETI-09-2030**, dated 10/23/08 and **HETI-08-2218B**, dated 11/18/08; all signed and sealed by Candido F. Font, P.E.
(Submitted under NOA No. 12-0416.10)


Manuel Perez, P.E.
Product Control Examiner
NOA No. 22-0509.03
Expiration Date: July 19, 2027
Approval Date: June 02, 2022

Lawson Industries, Inc.

NOTICE OF ACCEPTANCE: EVIDENCE SUBMITTED

1. EVIDENCE SUBMITTED UNDER PREVIOUS NOA's (CONTINUED)

C. CALCULATIONS

1. Anchor verification calculations and structural analysis, complying **FBC 5th Edition (2014)**, dated 09/02/14, prepared by manufacturer, signed and sealed by Thomas J. Sotos, P.E.
(Submitted under NOA No.14-0908.17)
2. Glazing complies with **ASTM E1300-04/09**

D. QUALITY ASSURANCE


1. Miami-Dade Department of Regulatory and Economic Resources (RER).

E. MATERIAL CERTIFICATIONS

1. Notice of Acceptance No. **16-1117.01** issued to **Kuraray America, Inc.** for their "**Trosifol® Ultraclear, Clear and Color PVB Glass Interlayers**" dated 01/19/17, expiring on 07/08/19.
2. Notice of Acceptance No. **14-0423.17** issued to **Eastman Chemical Company (MA)** for their "**Saflex Clear and Color Glass Interlayers**" dated 06/19/14, expiring on 05/21/16.

F. STATEMENTS

1. Statement letter of conformance, complying with **FBC 7th Edition (2020)**, and of "No financial interest" dated 08/03/20, issued by the manufacturer, signed and sealed by Thomas J. Sotos, P.E.
(Submitted under NOA No. 20-0830.09)
2. Proposal No. **07-2527** issued by Product Control, dated 03/29/07, signed by Manuel Perez, P.E.
(Submitted under NOA No. 12-0416.10)
3. Laboratory compliance letter for Test Reports No. **HETI-08-2026**, dated 10/23/08, **HETI-08-2026**, dated 10/23/08, **HETI-09-2539**, dated 09/04/09, **HETI-07-4379**, dated 10/23/08, **HETI-08-2218A**, dated 11/18/08, **HETI-09-540**, dated 09/04/09, **HETI-09-2538**, dated 09/04/09, **HETI-09-2536**, dated 09/04/09, **HETI-08-2027**, dated 10/23/08, **HETI-08-2029**, dated 10/23/08, **HETI-08-2030**, dated 10/23/08 and **HETI-08-2218B**, dated 11/18/08, all issued by Hurricane Engineering & Testing, Inc., signed and sealed by Candido F. Font, P. E.
(Submitted under NOA No. 12-0416.10)
4. Laboratory compliance letter for Test Reports No.'s **HETI-12-4011**, dated 03/14/12 and **HETI-11-3362**, dated 03/14/12, all issued by Hurricane Engineering & Testing, Inc., signed and sealed by Rafael Droz-Seda, P. E.
(Submitted under NOA No. 12-0416.10)


Manuel Perez, P.E.
Product Control Examiner
NOA No. 22-0509.03
Expiration Date: July 19, 2027
Approval Date: June 02, 2022

Lawson Industries, Inc.

NOTICE OF ACCEPTANCE: EVIDENCE SUBMITTED

1. EVIDENCE SUBMITTED UNDER PREVIOUS NOA's (CONTINUED)

G. OTHERS

1. Notice of Acceptance No. **17-1212.12**, issued to Lawson Industries, Inc. for their Series "4300/ 6300 Fin Frame" Aluminum Fixed Window – L.M.I., approved on 02/01/18 and expiring on 07/19/22.

2. NEW EVIDENCE SUBMITTED

A. DRAWINGS

1. None.

B. TESTS

1. None

C. CALCULATIONS

1. None.

D. QUALITY ASSURANCE

1. Miami-Dade Department of Regulatory and Economic Resources (RER)

E. MATERIAL CERTIFICATIONS


1. Notice of Acceptance No. **20-0915.22** issued to **Kuraray America, Inc.** for their "Trosifol® Ultraclear, Clear and Color PVB Glass Interlayers" dated 11/19/20, expiring on 07/08/24.
2. Notice of Acceptance No. **21-0216.01** issued to **Eastman Chemical Company (MA)** for their "Saflex PVB Interlayers - Clear and Colored for Glass" dated 04/29/21, expiring on 05/21/26.

F. STATEMENTS

1. Statement letter of conformance, complying with **FBC 7th Edition (2020)**, dated April 27, 2022, issued by the manufacturer, signed and sealed by Thomas J. Sotos, P.E.

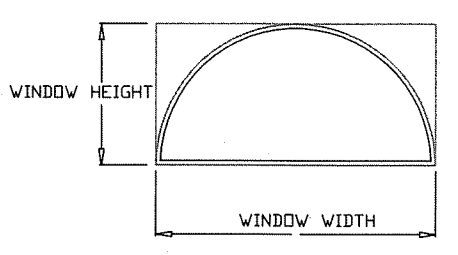
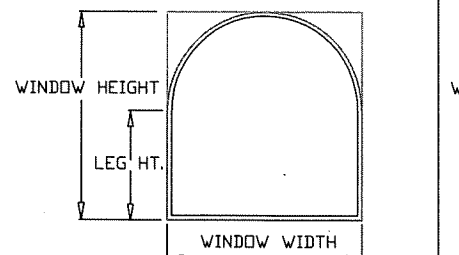
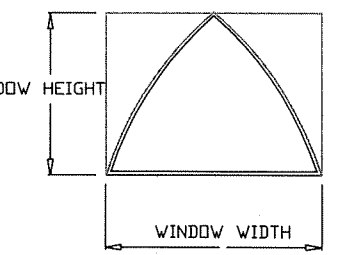
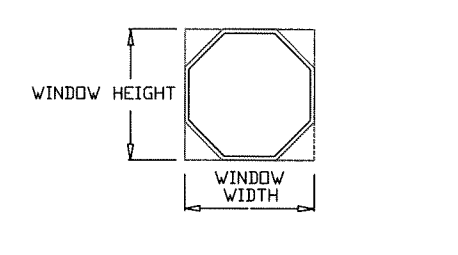
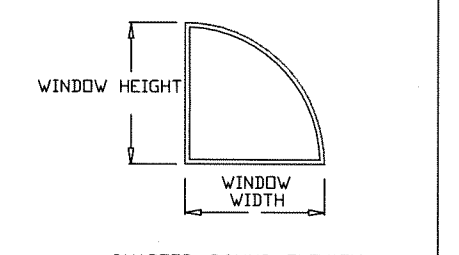
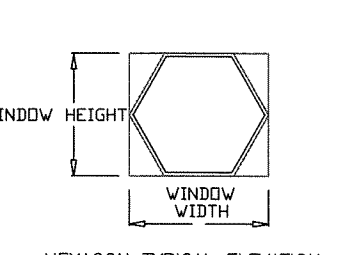
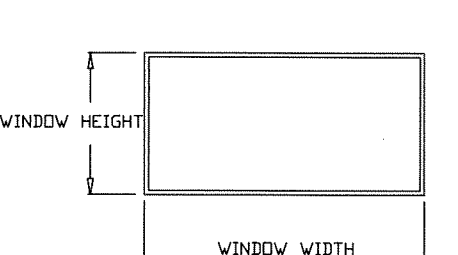
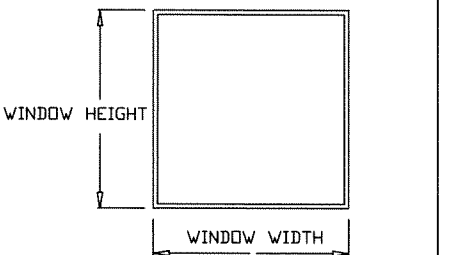
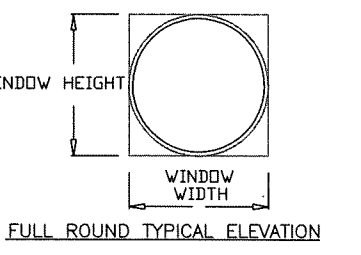
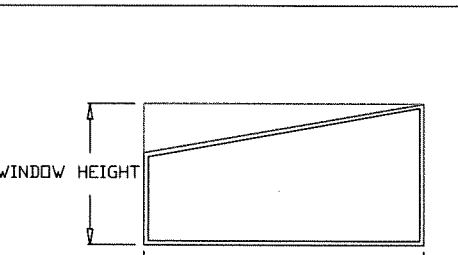
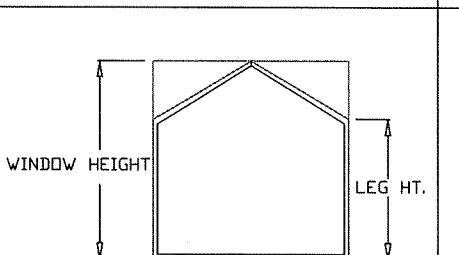
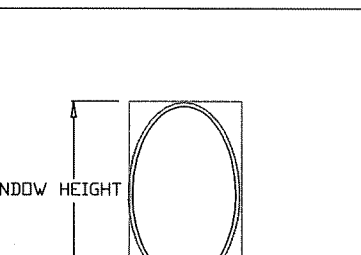
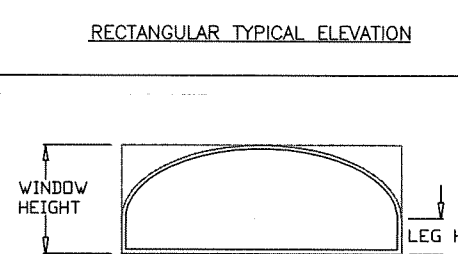
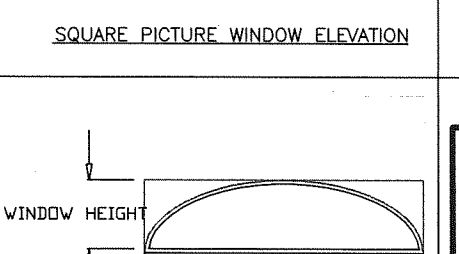
G. OTHERS

1. Notice of Acceptance No. **20-0813.09**, issued to Lawson Industries, Inc. for their Series "4300/ 6300 Fin Frame" Aluminum Fixed Window – L.M.I., approved on 10/22/20 and expiring on 07/19/22.


Manuel Perez, P.E.
Product Control Examiner
NOA No. 22-0509.03
Expiration Date: July 19, 2027
Approval Date: June 02, 2022

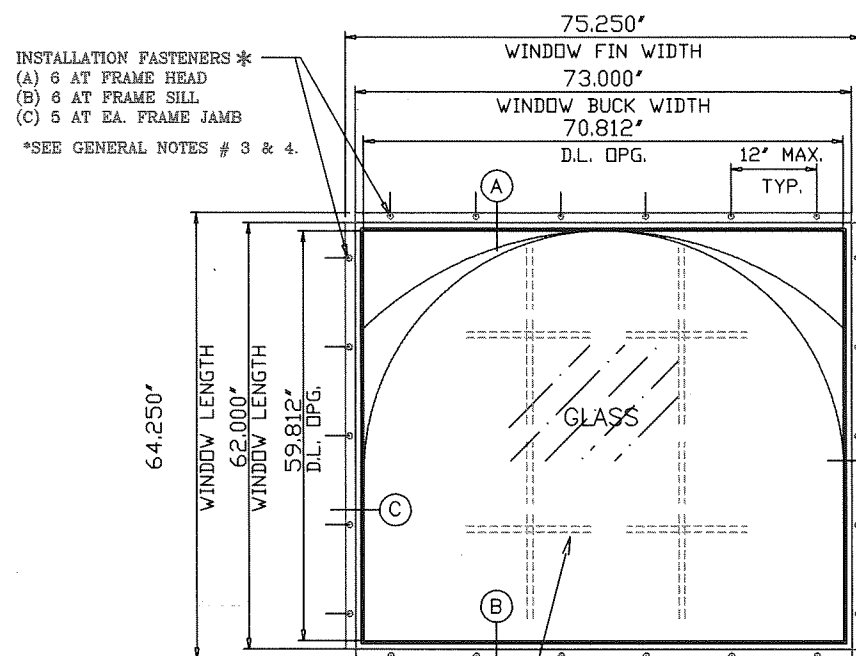
SERIES-4300/6300 FIXED IMPACT WINDOW - FIN FRAME

APPROVED WINDOW ELEVATIONS (L.M.IMPACT)

 <p>WINDOW HEIGHT</p> <p>WINDOW WIDTH</p> <p>HALF-ROUND TYPICAL ELEVATION</p>	 <p>WINDOW HEIGHT</p> <p>LEG HT.</p> <p>WINDOW WIDTH</p> <p>ARCHED PICTURE WINDOW</p>	 <p>WINDOW HEIGHT</p> <p>WINDOW WIDTH</p> <p>QUARTER-ROUND ELEVATION</p>
 <p>WINDOW HEIGHT</p> <p>WINDOW WIDTH</p> <p>OCTAGON TYPICAL ELEVATION</p>	 <p>WINDOW HEIGHT</p> <p>WINDOW WIDTH</p> <p>QUARTER-ROUND ELEVATION</p>	 <p>WINDOW HEIGHT</p> <p>WINDOW WIDTH</p> <p>HEXAGON TYPICAL ELEVATION</p>
 <p>WINDOW HEIGHT</p> <p>WINDOW WIDTH</p> <p>RECTANGULAR TYPICAL ELEVATION</p>	 <p>WINDOW HEIGHT</p> <p>WINDOW WIDTH</p> <p>SQUARE PICTURE WINDOW ELEVATION</p>	 <p>WINDOW HEIGHT</p> <p>WINDOW WIDTH</p> <p>FULL ROUND TYPICAL ELEVATION</p>
 <p>WINDOW HEIGHT</p> <p>WINDOW WIDTH</p> <p>RECTANGULAR TYPICAL ELEVATION</p>	 <p>WINDOW HEIGHT</p> <p>WINDOW WIDTH</p> <p>LEG HT.</p> <p>SQUARE PICTURE WINDOW ELEVATION</p>	 <p>WINDOW HEIGHT</p> <p>WINDOW WIDTH</p> <p>OVAL TYPICAL ELEVATION</p>
 <p>WINDOW HEIGHT</p> <p>WINDOW WIDTH</p> <p>LEG HT.</p> <p>LEGGED EYE BROW ELEVATION</p>	 <p>WINDOW HEIGHT</p> <p>WINDOW WIDTH</p> <p>"ELLIPTICAL" TYPICAL ELEVATION</p>	<p>ALLOWABLE LOADS FOR ALTERNATE SHAPES AS SHOWN, CAN BE VERIFIED BY INSCRIBING PICTURE WINDOW SHAPE WITHIN A SQUARE OR RECTANGLE, AS SHOW IN DOTTED LINES AND OBTAINING ALLOWABLE LOADS FROM THOSE SHAPES. PROVIDED PERIMETER FASTENERS ARE AS DESCRIBED HEREIN FOR SIZE AND SPACING.</p>

General Notes:

- 1.) THIS WINDOW SYSTEM IS DESIGNED AND TESTED TO COMPLY WITH THE REQUIREMENTS OF THE FLORIDA BUILDING CODE (2017-6th Edition & 2020-7th Edition) INCLUDING HIGH VELOCITY HURRICANE ZONE (HVHZ) AND ASTM 1300-09. THIS PRODUCT IS IMPACT RESISTANT. (SHUTTERS NOT REQUIRED)
- 2.) WOOD BUCKS SHALL BE INSTALLED AND ANCHORED SO THAT THE BUILDING RESISTS THE SUPERIMPOSED LOADS IN ACCORDANCE WITH THE REQUIREMENTS OF F.B.C. & TO BE REVIEWED BY BUILDING OFFICIAL.
- 3.) ANCHORS SHOWN ABOVE ARE AS PER TEST UNITS. ANCHORS ON ALL WINDOW SIZES ARE NOT TO EXCEED THESE MAXIMUM SPACINGS ON CENTER (O.C.) .
- 4.) ANCHOR CONDITIONS NOT DESCRIBED IN THESE DRAWING'S ARE TO BE ENGINEERED ON A SITE SPECIFIC BASIS, UNDER SEPARATE APPROVAL AND TO BE REVIEWED BY BUILDING OFFICIAL.
- 5.) WINDOWS ARE QUALIFIED FOR USE WITH SINGLE GLAZE LAMINATED GLASS TYPES TABULATED HEREIN (SEE SHEET #3 & 4), AND FOR USE WITH DOUBLE GLAZE LAMINATED INSULATED GLASS TYPES TABULATED HEREIN (SEE SHEET #3 & 4).
- 6.) WINDOWS WITH GLASS TYPES "E, F, G, OR H" INSTALLED ABOVE 30ft. IN THE HVHZ, THE I.G. EXTERIOR LITE SHALL BE TEMPERED TO COMPLY WITH THE SMALL MISSILE IMPACT RESISTANCE REQUIREMENTS (FBC Chapter 24 Section 2411.3.3.7).
- 7.) FOR OPTIONAL FRAME INSTALLATION DETAILS SEE SHEETS 2 & 5.
- 8.) EXT. & INT. FALSE COLONIAL MUNTINS ARE OPTIONAL & AND ARE APPLIED W/ SILICONE
- 9.) WOOD BUCKS IN CONTACT WITH CONCRETE MUST BE PRESSURE TREATED AND ANCHORED (BY OTHERS), PRIOR TO WINDOW INSTALLATION.
- 10.) APPROVAL APPLIES TO SINGLE UNITS, SIDE BY SIDE OR TOP STACKED MULLED UNITS.
- 11.) MULLING FIXED WINDOWS WITH OTHER TYPES OF MIAMI-DADE COUNTY APPROVED PRODUCTS USING A MIAMI-DADE COUNTY APPROVED MULLION IN BETWEEN ARE ACCEPTABLE BUT THE LOWER DESIGN PRESSURE FROM THE WINDOWS OR MULLION APPROVAL WILL APPLY YO THE ENTIRE MULLED SYSTEM.
- 12.) SEE SHEET # 5 FOR MULLION/METAL ATTACHMENT DETAILS & OPTIONS.



WINDOWS ARE L.M. IMPACT
DADE COUNTY APPROVED
SHUTTERS NOT REQUIRED

INSTALLATION FASTENERS *
(A) 6 AT FRAME HEAD
(B) 6 AT FRAME SILL
(C) 6 AT EA. FRAME JAMB
*SEE GENERAL NOTES # 3 & 4.

EXT. & INT. FALSE COLONIAL MUNTINS ARE APPLIED W/ W/ SILICONE AND ARE AVAILABLE AS OPTIONAL.

TYPICAL ELEVATION
TESTED UNIT

PRODUCT RENEWED
as complying with the Florida Building Code
NOA-No. 22-0509.03
Expiration Date: 07/19/2027
By: Manuel Fern
Miami-Dade Product Control

PRODUCT REVISED
as complying with the Florida Building Code
NOA-No. 20-0813.09
Expiration Date 07/19/2022
By: [Signature]
Miami-Dade Product Control

8501 N.W. 90 ST.
MEDLEY, FLORIDA 33166
PH No. (305) 696-8660

LAWSON INDUSTRIES, INC.

MANUFACTURER OF QUALITY ALUMINUM WINDOWS AND GLASS DOORS

SERIES-4300-6300 FIN FRAME IMPACT FIXED WINDOW

APPROVED ELEVATIONS, CONFIGURATIONS AND NOTES

Product Reference Number: L4300-6300-1201

Drawing Number: L4300-6300-1201

Sheet: 1 OF 5

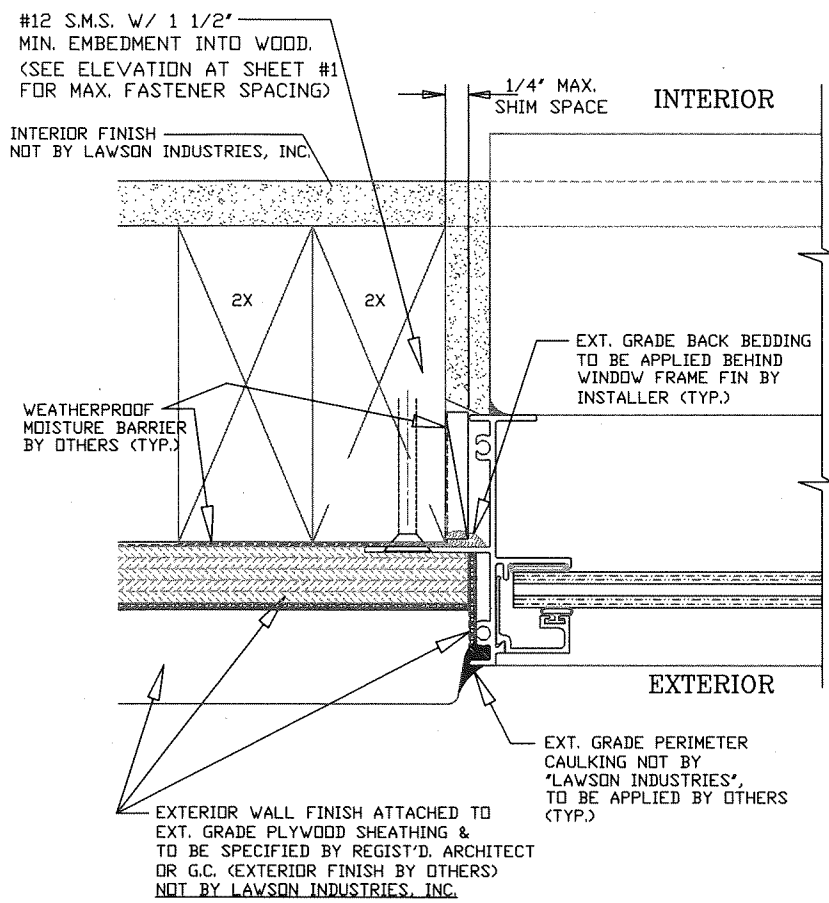
Revision #:

Revision Notes:	A. Revised date for the 2014 FBC
	B. Compliance w/ FBC 5th Edition (2014) and ASTM E1300-09
	C. Compliance w/ 2017 FBC 6th Edition
	D. Compliance w/ 2020 FBC 7th Edition
Drawn By:	N. ERAZO
Revised By:	N. ERAZO
Revision Level:	D
Date Drawn:	02-21-12
Date Revised:	07/31/20
Scale:	

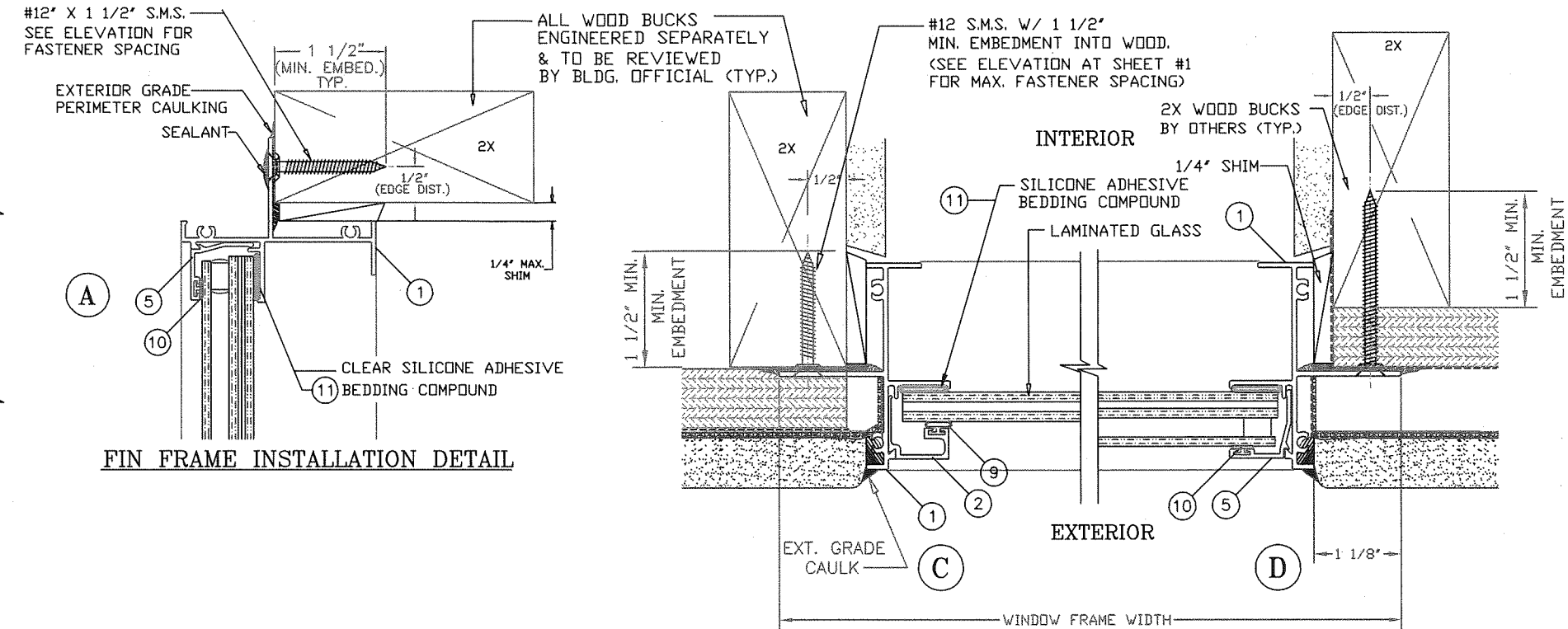
THOMAS J. SOTOS
PROFESSIONAL ENGINEER
FL LIC. # 55225

THOMAS J. SOTOS
PROFESSIONAL ENGINEER
FL LIC. # 55225

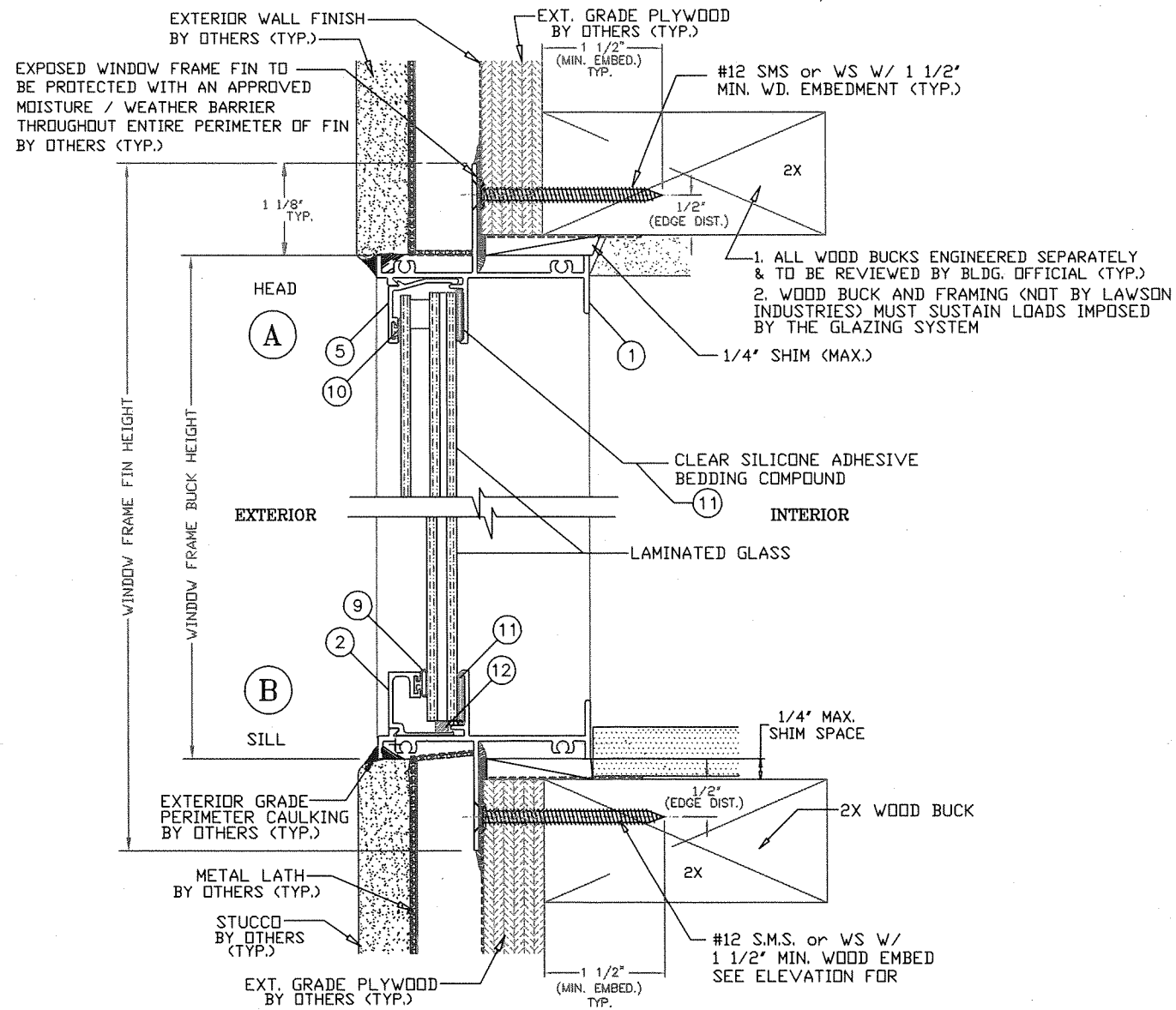
DATE



(C1) WOOD FRAME INSTALLATION DETAIL



FIN FRAME INSTALLATION DETAIL



WINDOW INSTALLATION NOTES:

1. THE WINDOW OPENING MUST BE PROTECTED WITH A CODE APPROVED FELT OR MOISTURE/WEATHER BARRIER, APPROX. 12" WIDE THROUGHOUT ENTIRE PERIMETER OF THE WINDOW MOUNTING FIN. (NOT BY LAWSON INDUSTRIES)
2. THE WINDOW FRAME FIN TO BE BACK-BEDDED W/ AN EXT. GRADE CAULK THROUGHOUT THE ENTIRE PERIMETER OF FIN BY WINDOW INSTALLER (TYP.)
3. THE EXPOSED EXT. PERIMETER OF THE WINDOW FRAME TO BE SEALED W/ AN APPROVED EXTERIOR GRADE CAULK BY OTHERS (TYP.)

* WHEN THE GAP BETWEEN THE WINDOW FRAME AND THE BUCK OR MASONRY IS LESS THAN 1/8", SHIMS ARE NOT REQUIRED.

ANCHORS NOTE:

ANCHORS TO BE #12 SMS OR WD. SCREWS INTO WOOD, WITH A MINIMUM OF 1 1/2" PENETRATION INTO 2x WOOD AT 12" O.C. MAX.

LAWSON INDUSTRIES, INC.

8501 N.W. 90 ST.
MEDLEY, FLORIDA 33166
PH No. (305) 696-8660

MANUFACTURER OF QUALITY ALUMINUM WINDOWS AND GLASS DOORS
SERIES-4300-6300 FIN FRAME IMPACT FIXED WINDOW
WINDOW VERTICAL AND HORIZONTAL CROSS SECTION, DETAILS & NOTES

Revision Notes:	A. Revised date for the 2014 FBC
	B. Compliance w/ FBC 5th Edition (2014) and ASTM E1300-09
	C. Compliance w/ 2017 FBC 6th Edition
	D. Compliance w/ 2020 FBC 7th Edition
Drawn By:	N. BRAZO
Revised By:	N. BRAZO
Revision Level:	D
Date Drawn:	02-21-12
Date Revised:	07/31/20
Scale:	D

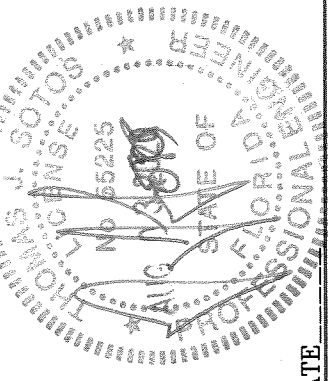
PRODUCT RENEWED
as complying with the Florida Building Code
NOA-No. **22-0509.03**
Expiration Date: **07/19/2027**

By: *Manuel Perez*
Miami-Dade Product Control

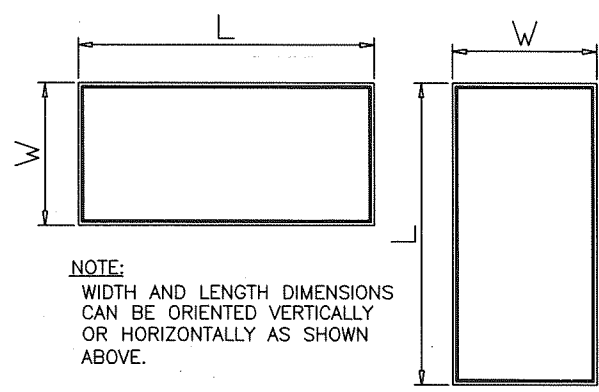
PRODUCT REVISED
as complying with the Florida Building Code
NOA-No. **20-0813.09**
Expiration Date **07/19/2022**

By: *CS*
Miami-Dade Product Control

THOMAS J. SOTOS
PROFESSIONAL ENGINEER
FL LIC. # 55225



DESIGN LOAD CAPACITY - PSF													
WINDOW BUCK DIMS		GLASS TYPE 'A'		GLASS TYPE 'B'		GLASS TYPE 'D'		GLASS TYPE 'E'		GLASS TYPE 'F'		GLASS TYPE 'G' & 'H'	
WIDTH	LENGTH	EXT. (+)	INT. (-)	EXT. (+)	INT. (-)	EXT. (+)	INT. (-)	EXT. (+)	INT. (-)	EXT. (+)	INT. (-)	EXT. (+)	INT. (-)
18-1/8"	25"	66.00	66.00	66.00	66.00	60.00	60.00	60.00	60.00	57.00	57.00	60.00	60.00
25-1/2"		66.00	66.00	66.00	66.00	60.00	60.00	60.00	60.00	57.00	57.00	60.00	60.00
36"		66.00	66.00	66.00	66.00	60.00	60.00	60.00	60.00	57.00	57.00	60.00	60.00
47"		66.00	66.00	66.00	66.00	60.00	60.00	60.00	60.00	57.00	57.00	60.00	60.00
52-1/8"		66.00	66.00	66.00	66.00	60.00	60.00	60.00	60.00	57.00	57.00	60.00	60.00
62"	66.00	66.00	66.00	66.00	60.00	60.00	60.00	60.00	57.00	57.00	60.00	60.00	
18-1/8"	37-3/8"	66.00	66.00	66.00	66.00	60.00	60.00	60.00	60.00	57.00	57.00	60.00	60.00
25-1/2"		66.00	66.00	66.00	66.00	60.00	60.00	60.00	60.00	57.00	57.00	60.00	60.00
36"		66.00	66.00	66.00	66.00	60.00	60.00	60.00	60.00	57.00	57.00	60.00	60.00
47"		66.00	66.00	66.00	66.00	60.00	60.00	60.00	60.00	57.00	57.00	60.00	60.00
52-1/8"		66.00	66.00	66.00	66.00	60.00	60.00	60.00	60.00	57.00	57.00	60.00	60.00
62"	66.00	66.00	66.00	66.00	60.00	60.00	60.00	60.00	57.00	57.00	60.00	60.00	
18-1/8"	49-5/8"	66.00	66.00	66.00	66.00	60.00	60.00	60.00	60.00	57.00	57.00	60.00	60.00
25-1/2"		66.00	66.00	66.00	66.00	60.00	60.00	60.00	60.00	57.00	57.00	60.00	60.00
36"		66.00	66.00	66.00	66.00	60.00	60.00	60.00	60.00	57.00	57.00	60.00	60.00
47"		66.00	66.00	66.00	66.00	60.00	60.00	60.00	60.00	57.00	57.00	60.00	60.00
52-1/8"		53.00	53.00	52.00	52.00	60.00	60.00	-	-	57.00	57.00	60.00	60.00
62"	-	-	-	-	60.00	60.00	-	-	-	-	60.00	60.00	
18-1/8"	57"	66.00	66.00	66.00	66.00	60.00	60.00	60.00	60.00	57.00	57.00	60.00	60.00
25-1/2"		66.00	66.00	66.00	66.00	60.00	60.00	60.00	60.00	57.00	57.00	60.00	60.00
36"		66.00	66.00	66.00	66.00	60.00	60.00	60.00	60.00	57.00	57.00	60.00	60.00
47"		53.00	53.00	52.00	52.00	60.00	60.00	-	-	57.00	57.00	60.00	60.00
52-1/8"		-	-	-	-	60.00	60.00	-	-	-	-	60.00	60.00
62"	-	-	-	-	60.00	60.00	-	-	-	-	60.00	60.00	
18-1/8"	62"	66.00	66.00	66.00	66.00	60.00	60.00	60.00	60.00	57.00	57.00	60.00	60.00
25-1/2"		66.00	66.00	66.00	66.00	60.00	60.00	60.00	60.00	57.00	57.00	60.00	60.00
36"		57.00	57.00	52.00	52.00	60.00	60.00	-	-	57.00	57.00	60.00	60.00
47"		-	-	-	-	60.00	60.00	-	-	57.00	57.00	60.00	60.00
52-1/8"		-	-	-	-	60.00	60.00	-	-	-	-	60.00	60.00
62"	-	-	-	-	60.00	60.00	-	-	-	-	60.00	60.00	
18-1/8"	73"	66.00	66.00	66.00	66.00	60.00	60.00	60.00	60.00	57.00	57.00	60.00	60.00
25-1/2"		66.00	66.00	66.00	66.00	60.00	60.00	60.00	60.00	57.00	57.00	60.00	60.00
36"		53.00	53.00	52.00	52.00	60.00	60.00	-	-	57.00	57.00	60.00	60.00
47"		-	-	-	-	60.00	60.00	-	-	-	-	60.00	60.00
52-1/8"		-	-	-	-	60.00	60.00	-	-	-	-	60.00	60.00
62"	-	-	-	-	60.00	60.00	-	-	-	-	60.00	60.00	
18-1/8"	73-1/4"	66.00	66.00	66.00	66.00	60.00	60.00	60.00	60.00	57.00	57.00	60.00	60.00
25-1/2"		66.00	66.00	66.00	66.00	60.00	60.00	60.00	60.00	57.00	57.00	60.00	60.00
36"		53.00	53.00	52.00	52.00	60.00	60.00	-	-	57.00	57.00	60.00	60.00
47"		-	-	-	-	60.00	60.00	-	-	-	-	60.00	60.00
52-1/8"		-	-	-	-	60.00	60.00	-	-	-	-	60.00	60.00



NOTE:
GLASS CAPACITIES ON THIS SHEET ARE BASED ON
A: ASTM E1300-04

5/16" LAMINATED GLASS COMPOSITION - TYPE A		
ITEM	GLASS DESCRIPTION	DETAIL
1	1/8" ANNEALED GLASS	
2	0.090" TRISIFOL PVB by Kuraray America, Inc.	
3	1/8" ANNEALED GLASS	

5/16" LAMINATED GLASS COMPOSITION - TYPE B		
ITEM	GLASS DESCRIPTION	DETAIL
1	1/8" HEAT-STRENGTHENED GLASS	
2	0.090" TRISIFOL PVB by Kuraray America, Inc.	
3	1/8" HEAT-STRENGTHENED GLASS	

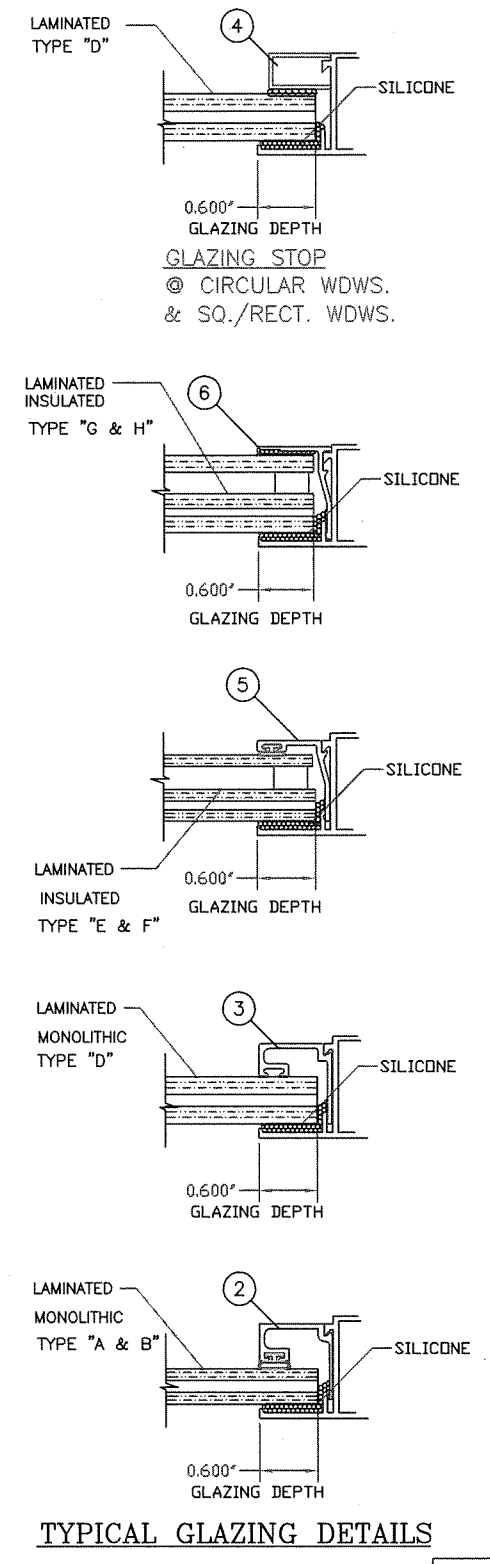
7/16" LAMINATED GLASS COMPOSITION - TYPE D		
ITEM	GLASS DESCRIPTION	DETAIL
1	3/16" HEAT-STRENGTHENED GLASS	
2	0.090" TRISIFOL PVB by Kuraray America, Inc.	
3	3/16" HEAT-STRENGTHENED GLASS	

LAMINATED INSULATED GLASS COMPOSITION TYPE E		
ITEM	DESCRIPTION	DETAIL
1	1/8" ANNEALED GLASS	
2	0.090" TRISIFOL PVB by Kuraray America, Inc.	
3	1/8" ANNEALED GLASS	
4	1/4" INSULATED AIR SPACE	
5	1/8" ANNEALED GLASS	

LAMINATED INSULATED GLASS COMPOSITION TYPE F		
ITEM	DESCRIPTION	DETAIL
1	1/8" ANNEALED GLASS	
2	0.090" SAFLEX PVB by Eastman Chemical Co.	
3	1/8" ANNEALED GLASS	
4	1/4" INSULATED AIR SPACE	
5	1/8" HEAT-STRENGTHENED GLASS	

LAMINATED INSULATED GLASS COMPOSITION TYPE G		
ITEM	DESCRIPTION	DETAIL
1	3/16" HEAT-STRENGTHENED GLASS	
2	0.090" TRISIFOL PVB by Kuraray America, Inc.	
3	3/16" HEAT-STRENGTHENED GLASS	
4	1/4" INSULATED AIR SPACE	
5	3/16" ANNEALED GLASS	

LAMINATED INSULATED GLASS COMPOSITION TYPE H		
ITEM	DESCRIPTION	DETAIL
1	1/8" ANNEALED GLASS	
2	0.090" SAFLEX PVB by Eastman Chemical Co.	
3	1/8" ANNEALED GLASS	
4	1/4" INSULATED AIR SPACE	
5	3/16" ANNEALED GLASS	



8501 N.W. 90 ST.
MEDLEY, FLORIDA 33166
PH No. (305) 696-8660

LAWSON INDUSTRIES, INC.

MANUFACTURER OF QUALITY ALUMINUM WINDOWS AND GLASS DOORS

SERIES-4300-6300 FIN FRAME IMPACT FIXED WINDOW

INSULATED - LAMINATED GLASS DESIGN PRESSURE CHARTS

Product Reference Number: L4300-6300-1201

Sheet: 3 OF 5

Revision #: _____

Revision Notes:	A. Revised date for the 2014 FBC	Date Drawn:	02-21-12
	B. Compliance w/ FBC 5th Edition (2014) and ASTM E1300-09	Date Revised:	07/31/20
	C. Compliance w/ 2017 FBC 6th Edition	Scale:	D
	D. Compliance w/ 2020 FBC 7th Edition	Drawn By:	N. ERAZO
		Revised By:	N. ERAZO
		Revision Level:	D

PRODUCT RENEWED
as complying with the Florida Building Code
NOA-No. **22-0509.03**
Expiration Date: **07/19/2027**
By: *Manuel Perez*
Miami-Dade Product Control

PRODUCT REVISED
as complying with the Florida Building Code
NOA-No. 20-0813.09
Expiration Date **07/19/2022**
By: *[Signature]*
Miami-Dade Product Control

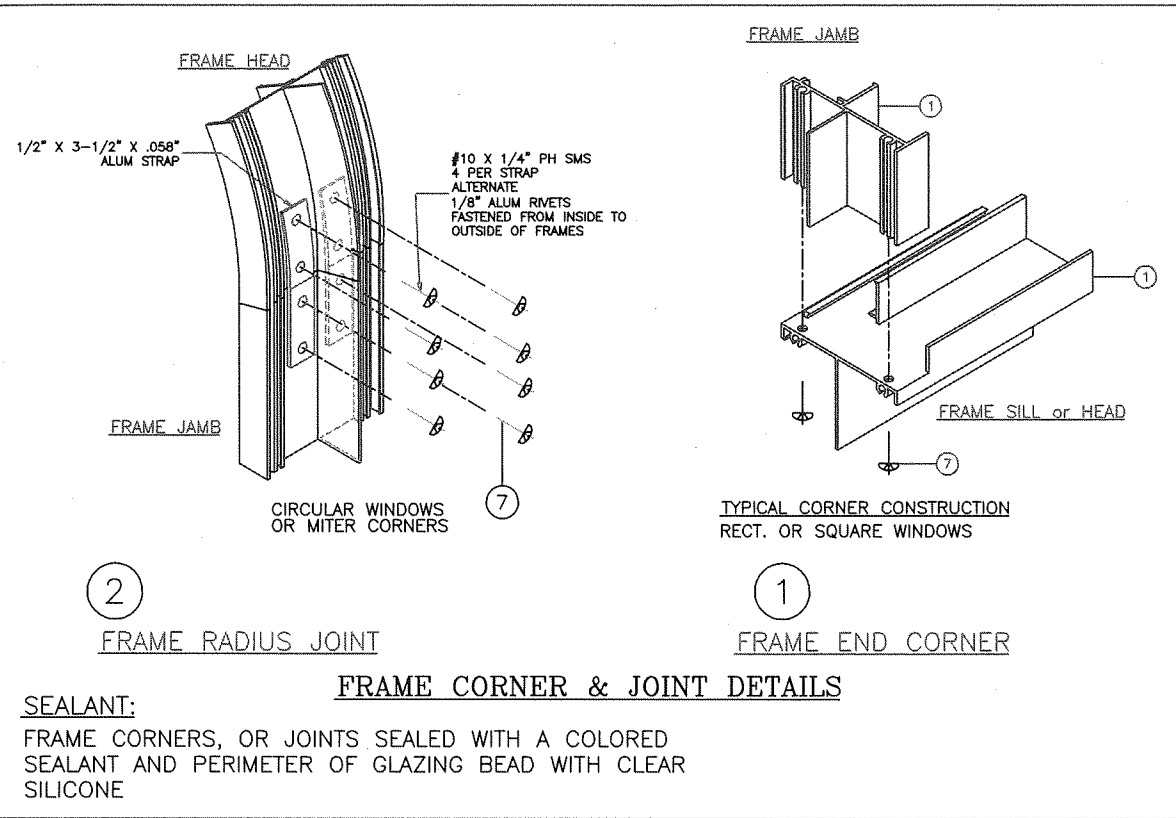
THOMAS J. SOTOS
PROFESSIONAL ENGINEER
FL LIC. # 55225

STATE OF FLORIDA PROFESSIONAL ENGINEERS

DATE: _____

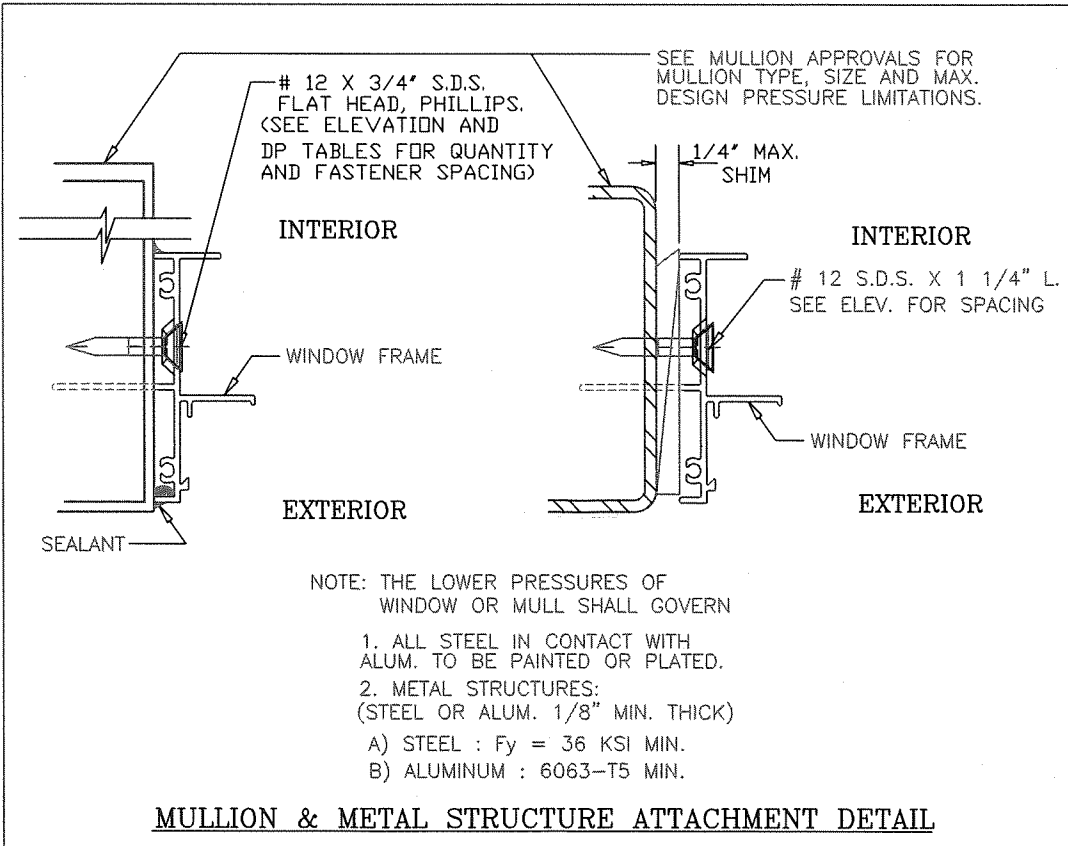
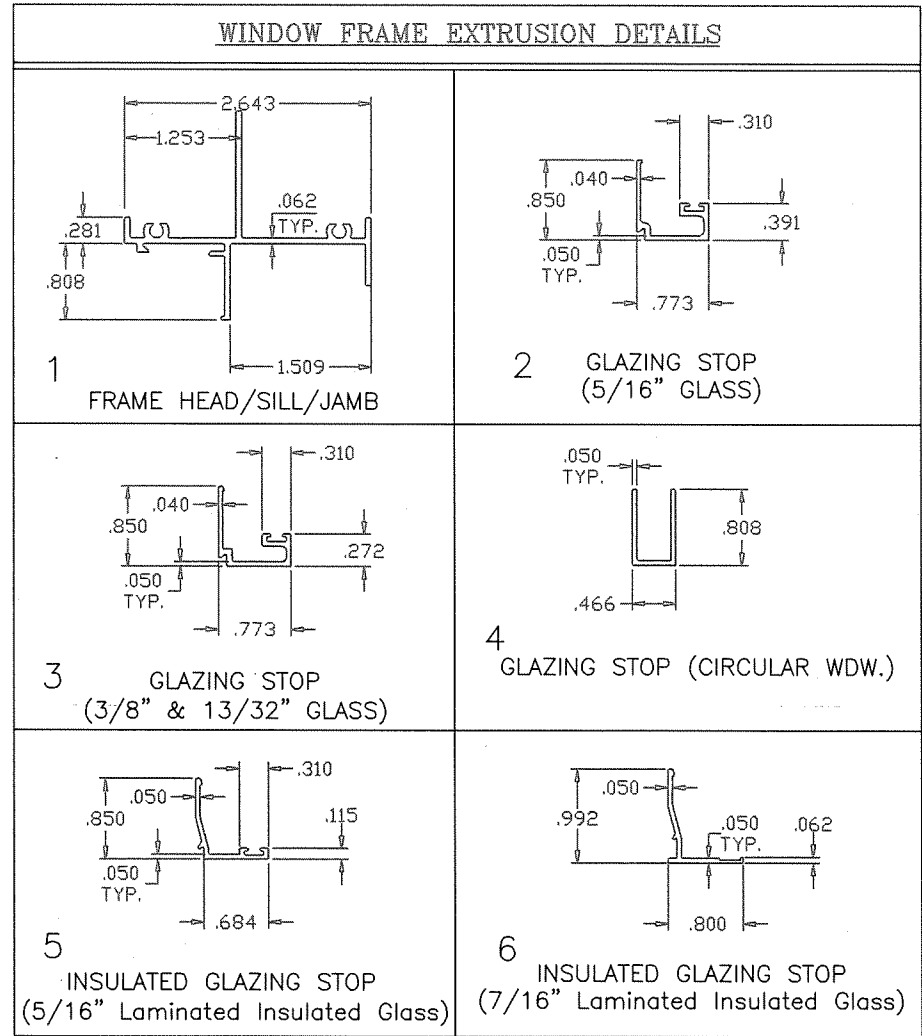
BILL OF MATERIALS

ITEM	PART #	QUANTITY	DESCRIPTION	MATERIAL	REMARKS
1	L-4301	2	FRAME HEAD/SILL/JAMB	6063-T6	-
2	L-7708	4	GLAZING BEAD (5/16" GLASS)	6063-T6	-
3	L-7708	4	GLAZING BEAD (3/8" & 13/32" GLASS)	6063-T6	-
4	L-4204	AS REQD.	GLAZING BEAD AT CIRCULAR WDWS.	6063-T5	-
5	L-7711	4	GLAZING BEAD (5/16" GLASS- INSULATED)	6063-T6	-
6	L-6211	4	GLAZING BEAD (7/16" GLASS - INSULATED)	6063-T6	-
7	#8 X 3/4"	2/ CORNER	ASSEMBLY SCREWS	-	P.H. PHILLIPS
8	812-25H-357	AS REQD.	"TruSeal" Dura-Seal Swiggle Spacer	*	Black - 1/4" Air Spacer
9	VWS-004	AS REQD.	GLAZING VINYL BULB - TEAM PLASTICS	FLEX. PVC	Material Composition Below
10	PWS-001	AS REQD.	PILE WTS'P SEAL	*	.187" w. X .150" h.
11	DC-899	AS REQD.	GLAZING SILICONE	*	DOW CORNING
12	PL 75.6020	AS REQD.	GLAZING SETTING BLOCK	SOFT PVC	1/8" X 1/8" X 2"



SEALANT:
 FRAME CORNERS, OR JOINTS SEALED WITH A COLORED SEALANT AND PERIMETER OF GLAZING BEAD WITH CLEAR SILICONE

Flexible Vinyl (FPVC) Composition - Team Plastics, Inc.		
*1. FPVC Black: Compound No. 7200-75		
PHYSICAL		ASTM NO.
Durometer Hardness "A", 10 sec	75	D-2240
Specific Gravity	1.45	D-792
Tensile Strength, PSI	1640	D-638
Ultimate Elongation, %	340.0	D-638
Modulus @ 100% Elongation, PSI	765.0	D-638
Impact Brittleness,	-31.0	D-746
*2. FPVC White: Compound No. 7267-75		
PHYSICAL		ASTM NO.
Durometer Hardness "A", 10 sec	75	D-2240
Specific Gravity	1.45	D-792
Tensile Strength, PSI	1640	D-638
Ultimate Elongation, %	325.0	D-638
Modulus @ 100% Elongation, PSI	765.0	D-638
Impact Brittleness,	-30.0	D-746



NOTE: THE LOWER PRESSURES OF WINDOW OR MULL SHALL GOVERN

- ALL STEEL IN CONTACT WITH ALUM. TO BE PAINTED OR PLATED.
- METAL STRUCTURES: (STEEL OR ALUM. 1/8" MIN. THICK)
 - A) STEEL : Fy = 36 KSI MIN.
 - B) ALUMINUM : 6063-T5 MIN.

LAWSON INDUSTRIES, INC.

8501 N.W. 90 ST.
 MEDLEY, FLORIDA 33166
 PH No. (305) 696-8660

MANUFACTURER OF QUALITY ALUMINUM WINDOWS AND GLASS DOORS

SERIES-4300-6300 FIN FRAME IMPACT FIXED WINDOW

BILL OF MATERIALS, EXTRUSION DETAILS & CORNER ASSEMBLY DETAILS

Drawing Number: L4300-6300-1201

Sheet 5 OF 5

Revision #:

Revision Notes:	A. Revised date for the 2014 FBC
	B. Compliance w/ FBC 5th Edition (2014) and ASTM E1300-09
	C. Compliance w/ 2017 FBC 6th Edition
	D. Compliance w/ 2020 FBC 7th Edition
Drawn By:	N. ERAZO
Date Drawn:	02-21-12
Revised By:	N. ERAZO
Date Revised:	07/31/20
Revision Level:	D

PRODUCT RENEWED
 as complying with the Florida Building Code
NOA-No. 22-0509.03
Expiration Date: 07/19/2027

By: *Manuel Perez*
Miami-Dade Product Control

PRODUCT REVISED
 as complying with the Florida Building Code
NOA-No. 20-0813.09
Expiration Date 07/19/2022

By: *[Signature]*
Miami-Dade Product Control

THOMAS J. SOTOS
 PROFESSIONAL ENGINEER
 FL LIC. # 55225

Professional Engineer Seal for Thomas J. Sotos, License No. 55225, State of Florida, expires 03/31/2020.

DATE