



MIAMI-DADE COUNTY
PRODUCT CONTROL SECTION
 11805 SW 26 Street, Room 208
 Miami, FL 33175
 T (786) 315-2590 F (786) 315-2599
www.miamidade.gov/economy

DEPARTMENT OF REGULATORY AND ECONOMIC RESOURCES (RER)
 BOARD AND CODE ADMINISTRATION DIVISION
NOTICE OF ACCEPTANCE (NOA)

Lawson Industries, Inc.
8501 NW 90 Street
Medley, FL 33166

SCOPE:

This NOA is being issued under the applicable rules and regulations governing the use of construction materials. The documentation submitted has been reviewed and accepted by Miami-Dade County RER -Product Control Section to be used in Miami Dade County and other areas where allowed by the Authority Having Jurisdiction (AHJ).

This NOA shall not be valid after the expiration date stated below. The Miami-Dade County Product Control Section (In Miami-Dade County) and/ or the AHJ (in areas other than Miami-Dade County) reserve the right to have this product or material tested for quality assurance purposes. If this product or material fails to perform in the accepted manner, the manufacturer will incur the expense of such testing and the AHJ may immediately revoke, modify, or suspend the use of such product or material within their jurisdiction. RER reserves the right to revoke this acceptance, if it is determined by Miami-Dade County Product Control Section that this product or material fails to meet the requirements of the applicable building code.

This product is approved as described herein, and has been designed to comply with the Florida Building Code, including the High Velocity Hurricane Zone.

DESCRIPTION: Series "SH-7700 (Flange Frame)" Aluminum Single Hung Window – L.M.I.

APPROVAL DOCUMENT: Drawing No. **L7700-0901**, titled "Series-7700 Single Hung Flange Frame Impact Window", sheets 1 through 5 of 5, dated 05/27/09, with revision **E** dated 07/31/20, prepared by manufacturer, signed and sealed by Thomas J. Sotos, P.E., bearing the Miami-Dade County Product Control Revision stamp with the Notice of Acceptance number and expiration date by the Miami-Dade County Product Control Section.

MISSILE IMPACT RATING: Large and Small Missile Impact Resistant

LIMITATIONS: Insulated Glazing Options Types 6 and 7 are not approved to be installed above 30 feet in height without external protection device (shutters)

LABELING: Each unit shall bear a permanent label with the manufacturer's name or logo, city, state, series, and following statement: "Miami-Dade County Product Control Approved", unless otherwise noted herein.

RENEWAL of this NOA shall be considered after a renewal application has been filed and there has been no change in the applicable building code negatively affecting the performance of this product.

TERMINATION of this NOA will occur after the expiration date or if there has been a revision or change in the materials, use, and/ or manufacture of the product or process. Misuse of this NOA as an endorsement of any product, for sales, advertising or any other purposes shall automatically terminate this NOA. Failure to comply with any section of this NOA shall be cause for termination and removal of NOA.

ADVERTISEMENT: The NOA number preceded by the words Miami-Dade County, Florida, and followed by the expiration date may be displayed in advertising literature. If any portion of the NOA is displayed, then it shall be done in its entirety.

INSPECTION: A copy of this entire NOA shall be provided to the user by the manufacturer or its distributors and shall be available for inspection at the job site at the request of the Building Official.

This NOA **revises and renews** NOA No. **17-1212.21** and consists of this page 1 and evidence pages E-1 and E-2, as well as approval document mentioned above.

The submitted documentation was reviewed by **Sifang Zhao, P.E.**



S.Z.

12/17/2020

NOA No. 20-0813.07
Expiration Date: December 27, 2026
Approval Date: December 17, 2020
 Page 1

Lawson Industries, Inc.

NOTICE OF ACCEPTANCE: EVIDENCE SUBMITTED

A. DRAWINGS

1. Manufacturer's die drawings and sections.
(Submitted under NOA No. 09-0706.09)
2. Drawing No. **L7700-0901**, titled "Series-7700 Single Hung Flange Frame Impact Window", sheets 1 through 5 of 5, dated 05/27/09 with revision **E** dated 07/31/20, prepared by manufacturer, and signed and sealed by Thomas J. Sotos, P.E.

B. TESTS

1. Test reports on: 1) Uniform Static Air Pressure Test, Loading per FBC, TAS 202-94
2) Large Missile Impact Test per FBC, TAS 201-94
3) Cyclic Wind Pressure Loading per FBC, TAS 203-94
along with marked-up drawings and installation diagram of an aluminum single hung window, prepared by Hurricane Engineering & Testing, Inc., Test Reports No. **HETI-09-2530A** and **HETI-09-2530B**, dated 03/02/09, signed and sealed by Candido F. Font, P.E. *(Submitted under NOA No. 09-0706.09)*
2. Test reports on: 1) Uniform Static Air Pressure Test, Loading per FBC TAS 202-94
2) Large Missile Impact Test per FBC, TAS 201-94
3) Cyclic Wind Pressure Loading per FBC, TAS 203-94
along with marked-up drawings and installation diagram of an aluminum single hung window, prepared by Hurricane Engineering & Testing, Inc., all Test Reports No. **HETI-08-2003C**, **HETI-08-2004A**, **HETI-08-2060A & B**, **HETI-08-2061A & B**, **HETI-08-2062A & B**, **HETI-08-2063A & B**, **HETI-08-2064A & B**, dated 03/15/08, signed and sealed by Candido F. Font, P.E. *(Submitted under NOA No. 08-0825.17)*
3. Test reports on: 1) Air Infiltration Test, per FBC, TAS 202-94
2) Uniform Static Air Pressure Test, Loading per FBC TAS 202-94
3) Water Resistance Test, per FBC, TAS 202-94
4) Large Missile Impact Test per FBC, TAS 201-94
5) Cyclic Wind Pressure Loading per FBC, TAS 203-94
6) Forced Entry Test, per FBC 2411 3.2.1, TAS 202-94
along with marked-up drawings and installation diagram of an aluminum single hung window, prepared by Fenestration Testing Laboratory, Inc., Test Reports No. **FTL-2987** and **FTL-2986**, dated 04/03/01 and 03/27/01, all signed and sealed by Luis Antonio Figueredo, P.E. *(Submitted under NOA No. 01-1009.01)*

C. CALCULATIONS

1. Anchor verification calculations and structural analysis, complying with FBC, prepared by Lawson Industries, Inc., dated 05/28/09, revised on 01/18/10, signed and sealed by Thomas J. Sotos, P.E. *(Submitted under NOA No. 11-0705.09)*
2. Glazing complies with **ASTM E1300-09**



Sifang Zhao, P.E.
Product Control Examiner
NOA No. 20-0813.07
Expiration Date: December 27, 2026
Approval Date: December 17, 2020

Lawson Industries, Inc.

NOTICE OF ACCEPTANCE: EVIDENCE SUBMITTED

D. QUALITY ASSURANCE

1. Miami-Dade Department of Regulatory and Economic Resources (RER).

E. MATERIAL CERTIFICATIONS

1. Notice of Acceptance No. **17-0808.02** issued to **Kuraray America, Inc.** for their “**SentryGlas® (Clear and White) Glass Interlayers**” dated 12/28/17, expiring on 07/04/23.
2. Notice of Acceptance No. **19-0305.02** issued to **Kuraray America, Inc.** for their “**Trosifol® Ultraclear, Clear and Color PVB Interlayers**” dated 01/19/17, expiring on 07/08/24.
3. Notice of Acceptance No. **17-0712.05** issued to **Eastman Chemical Company (MA)** for their “**Saflex Clear and Color Glass Interlayers**” dated 09/07/17, expiring on 05/21/21.

F. STATEMENTS

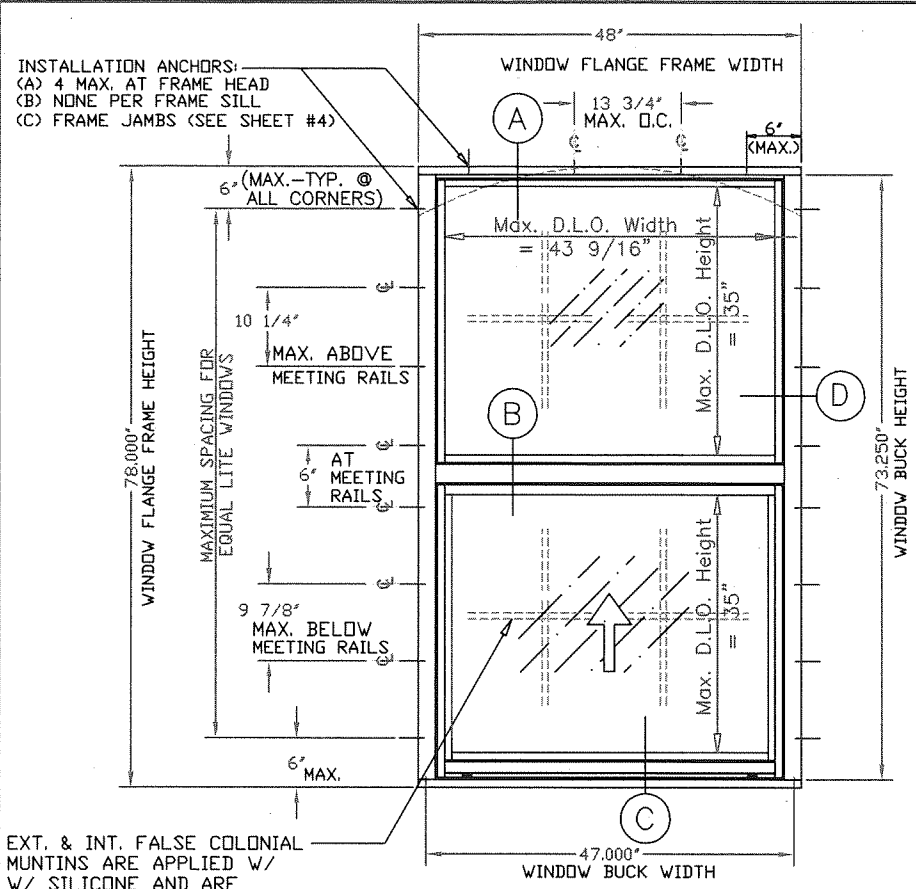
1. Statement letter of conformance, complying with **FBC-6th Edition (2017)** dated 11/17/2017 and **FBC 7th Edition (2020)** dated 08/03/2020, and of no financial interest, issued by manufacturer, signed and sealed by Thomas J. Sotos, P.E.
2. Statement letter of no financial interest, dated 05/28/09, issued by manufacturer, signed and sealed by Thomas J. Sotos, P.E. (*Submitted under NOA No. 11-0705.09*)
3. Laboratory compliance letter for all Test Reports No. **HETI-09-2530A & B**, issued by Hurricane Engineering & Testing, Inc., dated 03/02/09, signed and sealed by Candido F. Font, P.E. (*Submitted under NOA No. 09-0706.09*)
4. Laboratory compliance letter for Test Reports No. **HETI-08-2003C, HETI-08-2004A, HETI-08-2060A & B, HETI-08-2061A & B, HETI-08-2062A & B, HETI-08-2063A & B, HETI-08-2064A & B**, issued by Hurricane Engineering & Testing, Inc., dated 03/15/08, signed and sealed by Candido F. Font, P.E. (*Submitted under NOA No. 08-0825.17*)
5. Laboratory compliance letter for Test Reports No. **FTL-2987** and **FTL-2986**, issued by Fenestration Testing Laboratory, Inc., dated 04/03/01 and 03/27/01, signed and sealed by Luis Antonio Figueredo, P.E. (*Submitted under NOA No. 01-0406.08*)

G. OTHERS

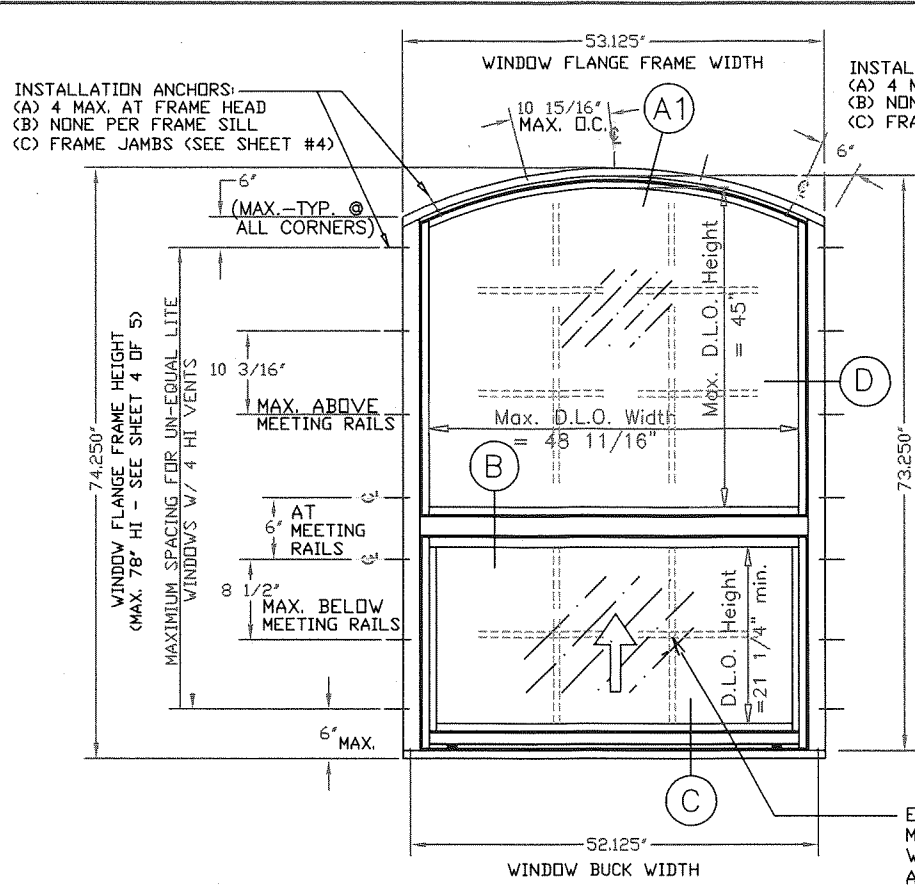
1. Notice of Acceptance No. **17-1212.21**, issued to Lawson Industries, Inc. for their Series “**SH-7700 (Flange Frame) Aluminum Single Hung Window – L.M.I.**”, approved on 02/01/18 and expiring on 12/27/21.



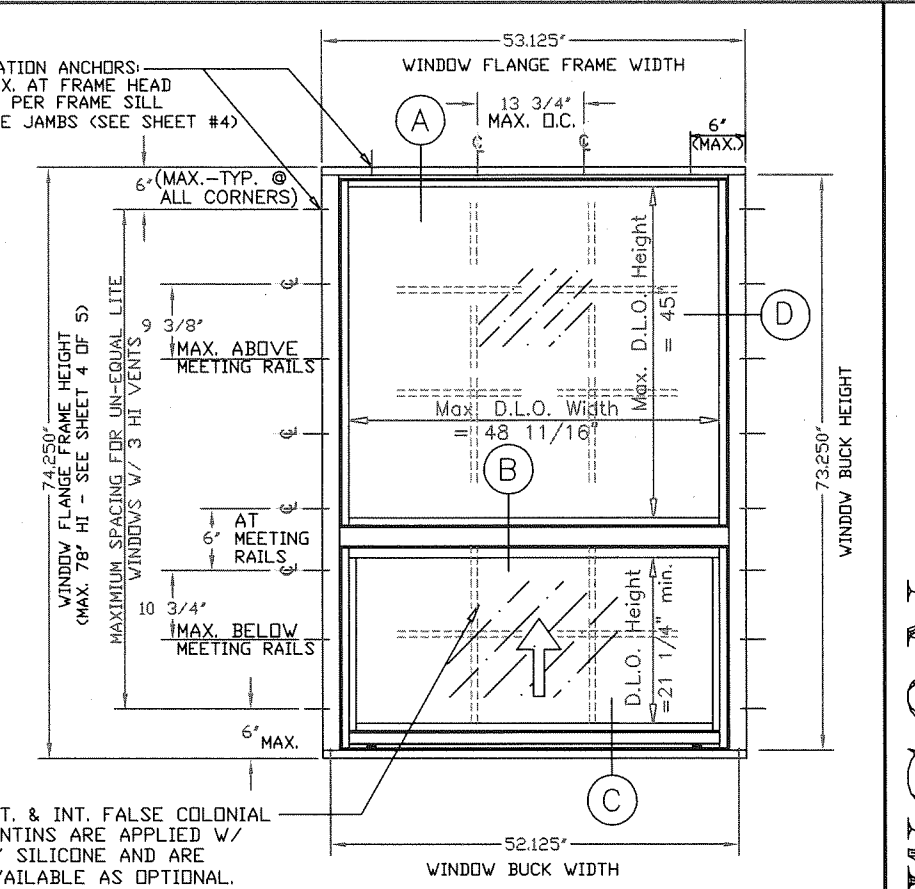
Sifang Zhao, P.E.
Product Control Examiner
NOA No. 20-0813.07
Expiration Date: December 27, 2026
Approval Date: December 17, 2020



48" x 78" EQUAL LITE ELEVATION
 * INCLUDES UN-EQUAL LITE AND RADIUS HEAD
 (LIMITED TO LOADS ON SHEET 4 OF 5)



UN-EQUAL LITE RADIUS ELEVATION
 (LIMITED TO LOADS ON SHEET 4 OF 5)

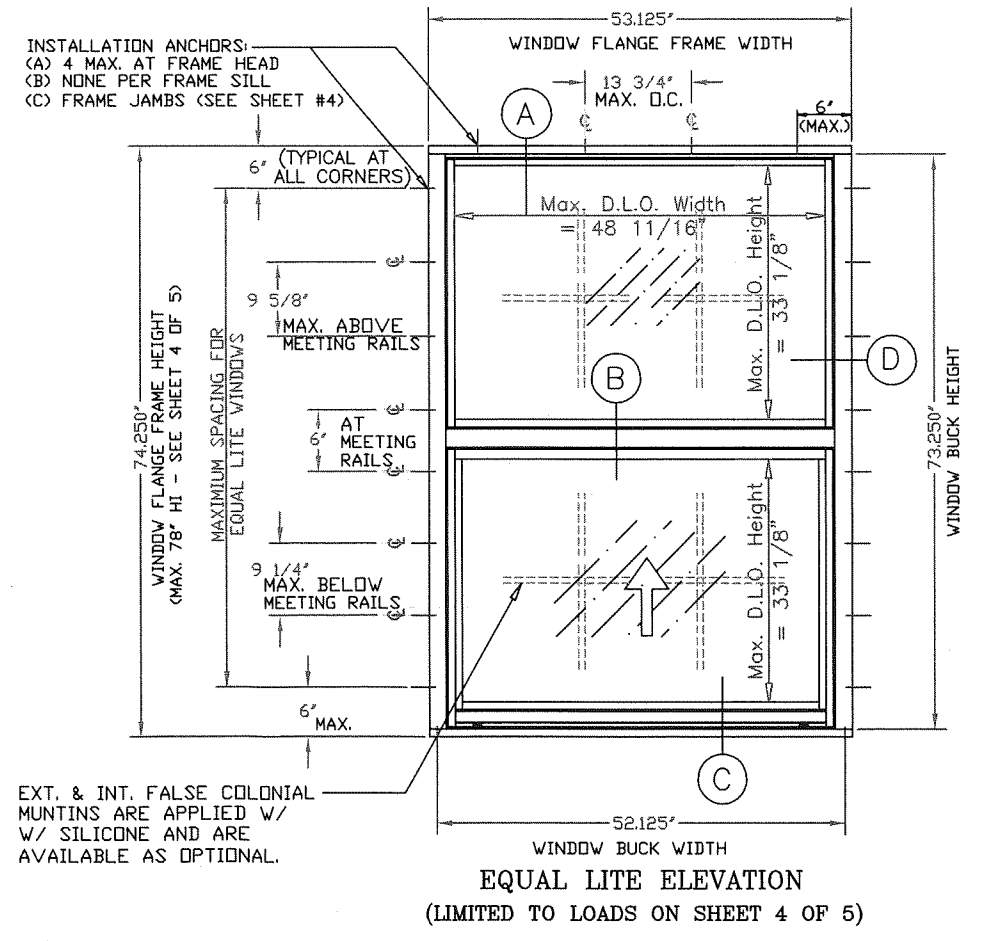


UN-EQUAL LITE ELEVATION
 (LIMITED TO LOADS ON SHEET 4 OF 5)

General Notes:

- 1.) THIS WINDOW SYSTEM IS DESIGNED AND TESTED TO COMPLY WITH THE REQUIREMENTS OF THE FLORIDA BUILDING CODE (2017-6th Edition & 2020-7th Edition) INCLUDING HIGH VELOCITY HURRICANE ZONE VELOCITY (HVHZ) AND ASTM 1300-09. THIS PRODUCT IS IMPACT RESISTANT. (SHUTTERS NOT REQUIRED)
- 2.) WOOD BUCKS SHALL BE INSTALLED AND ANCHORED SO THAT THE BUILDING RESISTS THE SUPERIMPOSED LOADS IN ACCORDANCE WITH THE REQUIREMENTS OF THE F.B.C. & TO BE REVIEWED BY BUILDING OFFICIAL.
- 3.) ANCHORS SHOWN ABOVE ARE AS PER TEST UNITS. ANCHORS ON ALL WINDOW SIZES ARE NOT TO EXCEED THESE MAXIMUM SPACINGS ON CENTER (O.C.) AND AS TABULATED ON SHEET 4.
- 4.) ANCHOR CONDITIONS NOT DESCRIBED IN THESE DRAWING'S ARE TO BE ENGINEERED ON A SITE SPECIFIC BASIS, UNDER SEPARATE APPROVAL AND TO BE REVIEWED BY BUILDING OFFICIAL.
- 5.) WINDOWS ARE QUALIFIED FOR USE WITH SINGLE GLAZE LAMINATED GLASS TYPES TABULATED HEREIN (SEE SHEET #3), AND FOR USE WITH DOUBLE GLAZE LAMINATED INSULATED GLASS TYPES TABULATED HEREIN (SEE SHEET #3).
- 6.) SEE SHEET 3 FOR LOCK DETAILS & OPTIONS.
- 7.) SEE SHEET 4 FOR DESIGN PRESSURES AND GLASS TYPES.
- 8.) FOR OPTIONAL FRAME INSTALLATION DETAILS SEE SHEET 3.
- 9.) EXT. & INT. FALSE COLONIAL MUNTINS ARE OPTIONAL & AND ARE APPLIED W/ SILICONE
- 10.) WOOD BUCKS IN CONTACT WITH CONCRETE MUST BE PRESSURE TREATED AND ANCHORED (BY OTHERS), PRIOR TO WINDOW INSTALLATION. (SEE SHEET #2 FOR DETAIL & NOTES) WOOD BUCKS TO BE ANCHORED IN COMPLIANCE WITH THE FBC CHAPTER 24, SECTION 11.3.3.3.
- 11.) APPROVAL APPLIES TO SINGLE UNITS OR SIDE BY SIDE MULLED UNITS.
- 12.) MULLING SINGLE HUNG WINDOWS WITH OTHER TYPES OF MIAMI-DADE COUNTY APPROVED WINDOWS USING A MIAMI-DADE COUNTY APPROVED MULLION IN BETWEEN ARE ACCEPTABLE BUT THE LOWER DESIGN PRESSURE FROM THE WINDOWS OR MULLION APPROVAL WILL APPLY TO THE ENTIRE MULLED SYSTEM.
- 13.) SEE SHEET # 3 FOR MULLION/METAL ATTACHMENT DETAILS & OPTIONS.
- 14.) ALL METAL/STEEL IN CONTACT WITH ALUMINUM OR OTHER DISSIMILAR MATERIALS TO BE PAINTED OR PLATED AND SHALL MEET THE FLORIDA BLDG. CODE.

SERIES-7700 SINGLE HUNG IMPACT WINDOW - FLANGE FRAME



EQUAL LITE ELEVATION
 (LIMITED TO LOADS ON SHEET 4 OF 5)

PRODUCT REVISED
 as complying with the Florida Building Code
 NOA-No. 20-0813.07
 Expiration Date 12/27/2026
 By *[Signature]*
 Miami-Dade Product Control

LAWSON INDUSTRIES, INC.
 MANUFACTURER OF QUALITY ALUMINUM WINDOWS AND GLASS DOORS
 8501 N.W. 90 ST.
 MEDLEY, FLORIDA 33166
 PH No. (305) 696-8660

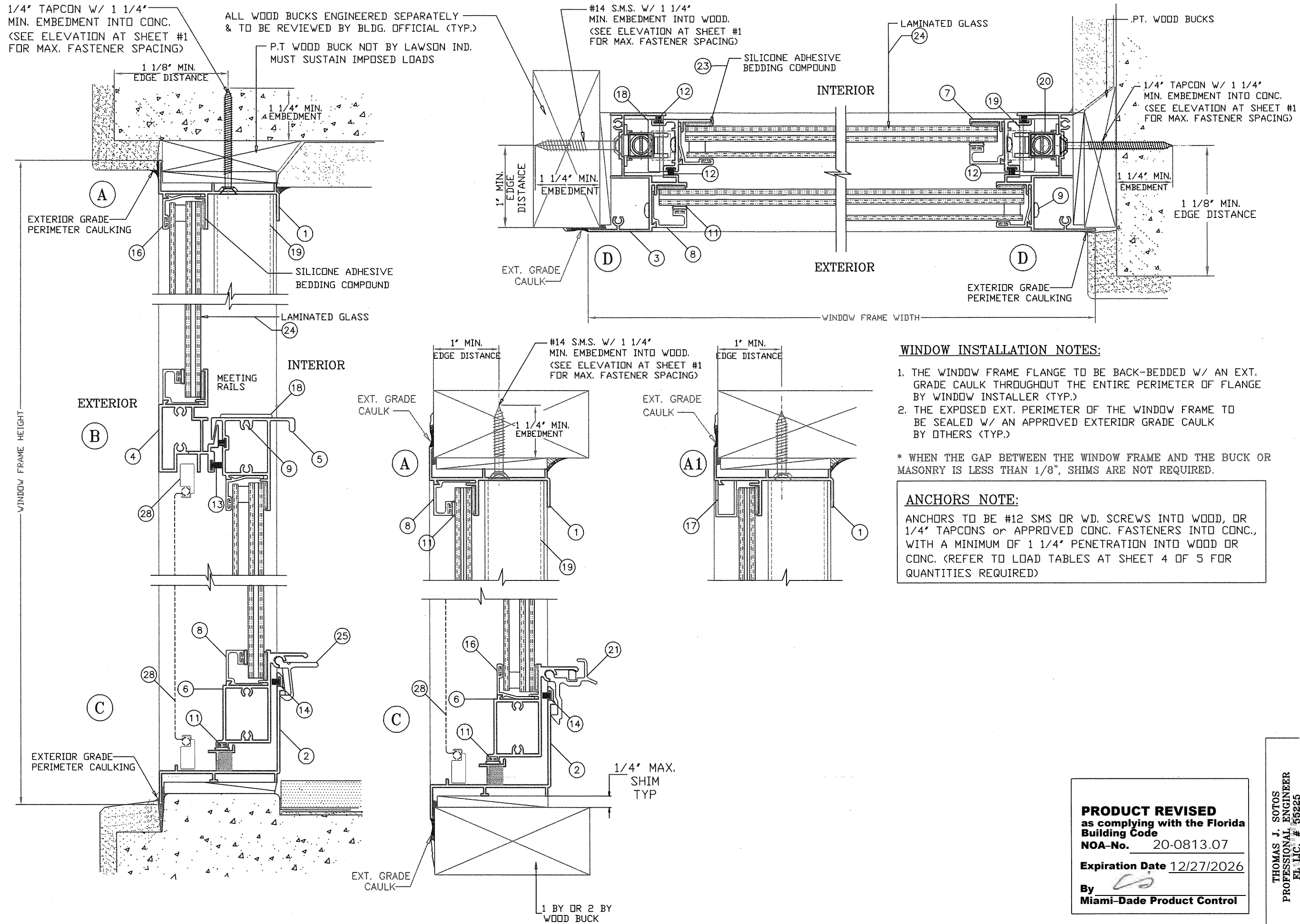
APPROVED ELEVATIONS, CONFIGURATIONS AND NOTES

Product Reference Number: L7700-0901
 Sheet: 1 OF 5
 Revision #: 1 OF 5

Revision Notes:	A. Revised to Comply w/ 2010 FBC
	B. Revised to Comply w/ 2014 FBC
	C. Compliance w/ FBC 5th Edition (2014) and ASTM E1300-09
	D. Revised to Comply w/ 2017 FBC
	E. Revised to Comply w/ 2020 FBC
Drawn By:	N. ERAZO
Revised By:	N. Erazo
Date Drawn:	06-27-09
Date Revised:	07/31/20
Scale:	E

THOMAS J. SOTOS
 PROFESSIONAL ENGINEER
 FT. LIC. # 55225

DATE



WINDOW INSTALLATION NOTES:

1. THE WINDOW FRAME FLANGE TO BE BACK-BEDDED W/ AN EXT. GRADE CAULK THROUGHOUT THE ENTIRE PERIMETER OF FLANGE BY WINDOW INSTALLER (TYP.)
2. THE EXPOSED EXT. PERIMETER OF THE WINDOW FRAME TO BE SEALED W/ AN APPROVED EXTERIOR GRADE CAULK BY OTHERS (TYP.)

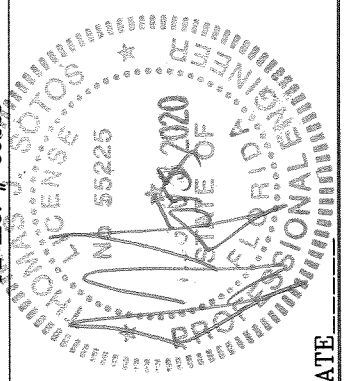
* WHEN THE GAP BETWEEN THE WINDOW FRAME AND THE BUCK OR MASONRY IS LESS THAN 1/8", SHIMS ARE NOT REQUIRED.

ANCHORS NOTE:

ANCHORS TO BE #12 SMS OR WD. SCREWS INTO WOOD, OR 1/4" TAPCONS OR APPROVED CONC. FASTENERS INTO CONC., WITH A MINIMUM OF 1 1/4" PENETRATION INTO WOOD OR CONC. (REFER TO LOAD TABLES AT SHEET 4 OF 5 FOR QUANTITIES REQUIRED)

PRODUCT REVISED
 as complying with the Florida Building Code
 NOA-No. 20-0813.07
 Expiration Date 12/27/2026
 By *[Signature]*
 Miami-Dade Product Control

THOMAS J. SOTOS
 PROFESSIONAL ENGINEER
 FL LIC. # 55225



Revision Notes:	
A. Revised to Comply w/ 2010 FBC	Date Drawn: 05-27-09
B. Revised to Comply w/ 2014 FBC	Date Revised: 07/31/20
C. Compliance w/ FBC 5th Edition (2014) and ASTM E1300-09	Scale: E
D. Revised to Comply w/ 2017 FBC	
E. Revised to Comply w/ 2020 FBC	
Drawn By: N. ERAZO	
Revised By: N. Erazo	
Revision Level: E	

LAWSON INDUSTRIES, INC.

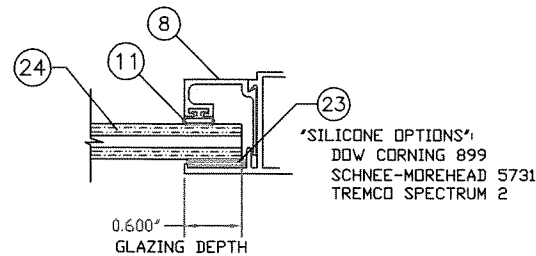
MANUFACTURER OF QUALITY ALUMINUM WINDOWS AND GLASS DOORS

SERIES-7700 SINGLE HUNG FLANGE FRAME IMPACT WINDOW

WINDOW VERTICAL AND HORIZONTAL CROSS SECTION, DETAILS & NOTES

8501 N.W. 90 ST.
 MEDLEY, FLORIDA 33166
 PH No. (305) 696-8660

DATE

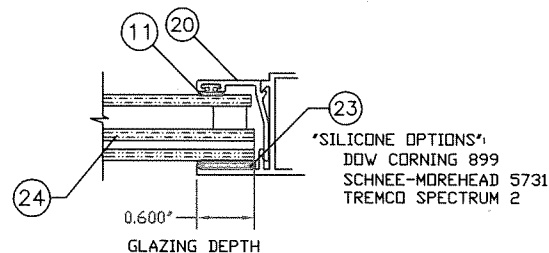


LAMINATED GLASS COMPOSITION - TYPE 2			
ITEM	GLASS DESCRIPTION	DETAIL	LAMINATE DESCRIPTION
1	1/8" ANNEALED GLASS		SAFLEX PVB by Eastman Chemical co.
2	0.090" PLASTIC INTERLAYER		
3	1/8" ANNEALED GLASS		

LAMINATED GLASS COMPOSITION - TYPE 3			
ITEM	GLASS DESCRIPTION	DETAIL	LAMINATE DESCRIPTION
1	1/8" ANNEALED GLASS		SENTRYGLAS by Kuraray America, Inc.
2	0.090" PLASTIC INTERLAYER		
3	1/8" ANNEALED GLASS		

LAMINATED GLASS COMPOSITION - TYPE 4			
ITEM	GLASS DESCRIPTION	DETAIL	LAMINATE DESCRIPTION
1	1/8" ANNEALED GLASS		TRDSIFOL PVB by Kuraray America, Inc.
2	0.090" PLASTIC INTERLAYER		
3	1/8" ANNEALED GLASS		

LAMINATED GLASS COMPOSITION - TYPE 5			
ITEM	GLASS DESCRIPTION	DETAIL	LAMINATE DESCRIPTION
1	1/8" HEAT-STRENGTHENED GLASS		TRDSIFOL PVB by Kuraray America, Inc.
2	0.090" PLASTIC INTERLAYER		
3	1/8" HEAT-STRENGTHENED GLASS		

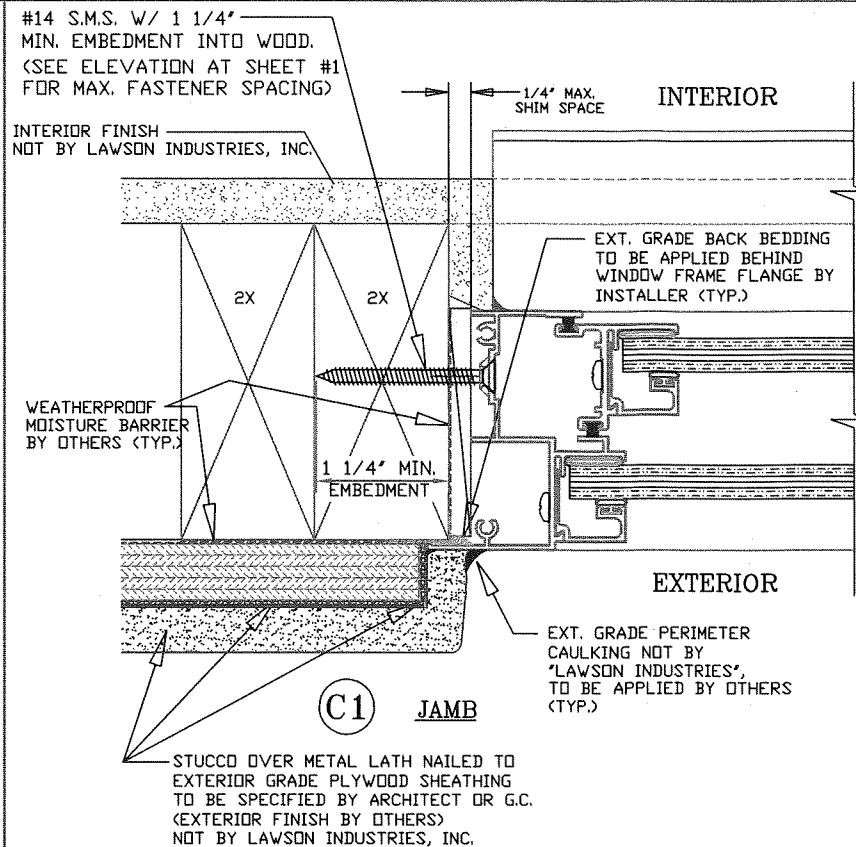


INSULATED LAMINATED GLASS COMPOSITION TYPE 6			
ITEM	GLASS DESCRIPTION	DETAIL	LAMINATE DESCRIPTION
1	1/8" HEAT-STRENGTHENED GLASS		TRDSIFOL PVB by Kuraray America, Inc.
2	0.090" PLASTIC INTERLAYER		
3	1/8" HEAT-STRENGTHENED GLASS		
4	1/4" INSULATED AIR SPACE		
5	1/8" ANNEALED GLASS		

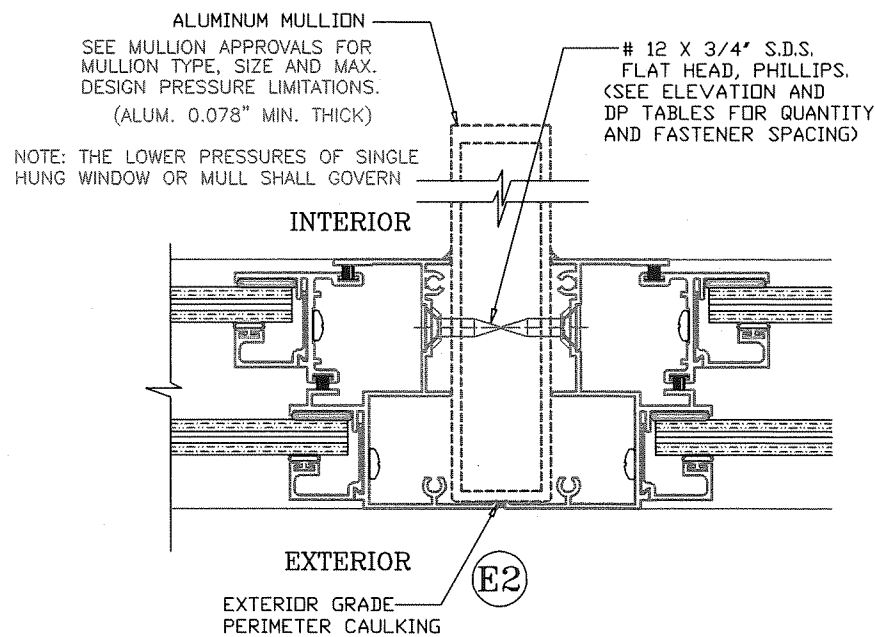
INSULATED LAMINATED GLASS COMPOSITION TYPE 7			
ITEM	GLASS DESCRIPTION	DETAIL	LAMINATE DESCRIPTION
1	1/8" ANNEALED GLASS		SAFLEX PVB by Eastman Chemical co.
2	0.090" PLASTIC INTERLAYER		
3	1/8" ANNEALED GLASS		
4	1/4" INSULATED AIR SPACE		
5	1/8" ANNEALED GLASS		

GLAZING DETAILS AND OPTIONS

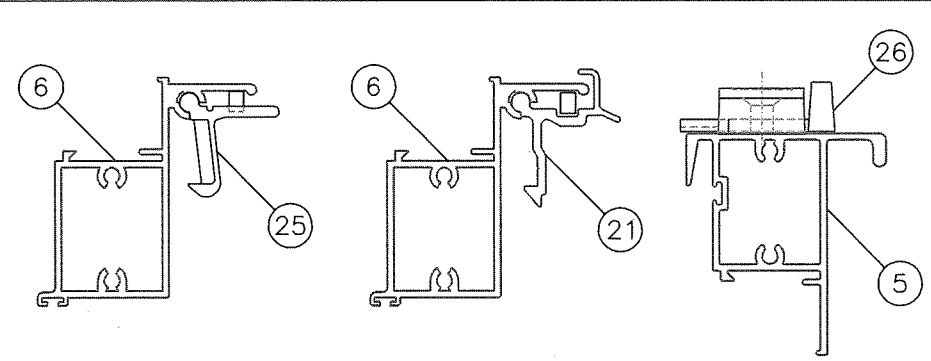
NOTE:
WINDOWS WITH GLASS TYPES "6 & 7" INSTALLED ABOVE 30ft IN THE HVHZ, THE I.G. IN THE EXTERIOR LITE SHALL BE TEMPERED TO COMPLY WITH THE SMALL MISSILE IMPACT RESISTANCE REQUIREMENTS (FBC-2017, Chapter 24 Section 2411.3.3.7).



WOOD FRAME INSTALLATION DETAIL

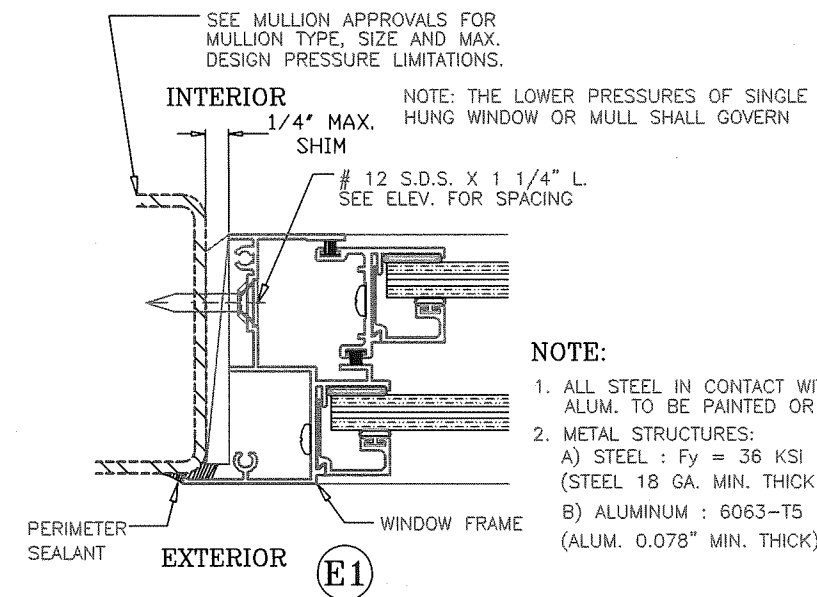


FRAME MULLING DETAIL



LOCK (LATCH AND SWEEP) OPTIONS

1. BOTH EXTRUDED ALUMINUM AND PLASTIC LIFT HANDLE LOCKS ARE QUALIFIED FOR USE ON ALL WINDOWS.
2. BOTH DIE CAST AND NYLON CAM LOCKS ARE QUALIFIED FOR USE ON ALL WINDOWS.
3. TWO (2) LOCKS ARE REQUIRED PER EACH VENT.



METAL STRUCTURE ATTACHMENT DETAIL

PRODUCT REVISED
as complying with the Florida Building Code
NOA-No. 20-0813.07
Expiration Date 12/27/2026
By
Miami-Dade Product Control

LAWSON INDUSTRIES, INC.

8501 N.W. 90 ST.
MEDLEY, FLORIDA 33166
PH No. (305) 696-8660

MANUFACTURER OF QUALITY ALUMINUM WINDOWS AND GLASS DOORS
SERIES-7700 SINGLE HUNG FLANGE FRAME IMPACT WINDOW
DESIGN PRESSURES, GLAZING DETAILS & LOCK OPTIONS

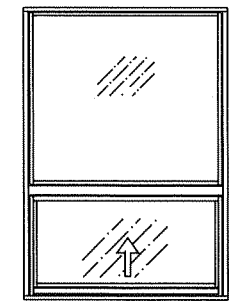
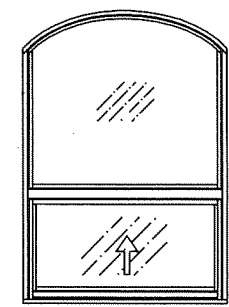
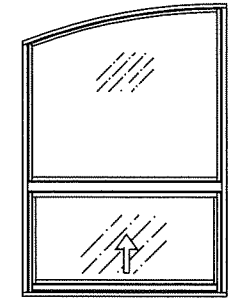
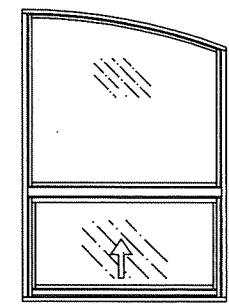
Revision Notes:	A. Revised to Comply w/ 2010 FBC	Date Drawn:	05-27-09
	B. Revised to Comply w/ 2014 FBC	Date Revised:	07/31/20
	C. Compliance w/ FBC 5th Edition (2014) and ASTM E1300-09	Scale:	E
	D. Revised to Comply w/ 2017 FBC	Drawn By:	N. ERAZO
	E. Revised to Comply w/ 2020 FBC	Revised By:	N. Erazo

THOMAS J. SOTOS
PROFESSIONAL ENGINEER
FL LIC. # 55225

DATE

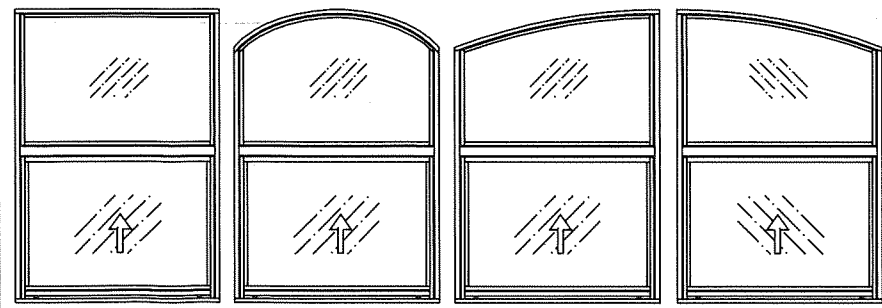
DESIGN LOAD CAPACITY (PSF) - VIEW WINDOWS W/ 3H VENTS					
WINDOW		# Jamb Anchors	+ / - Pressures (psf)		
WIDTH	HEIGHT		Glass Type 4	Glass Type 5	Glass Type 6
19.125	50.625	6	60.0	80.0	80.0
26.5	50.625		60.0	80.0	80.0
37	50.625		60.0	80.0	80.0
42	50.625		60.0	80.0	80.0
48	50.625		60.0	80.0	80.0
53.125	50.625	6	60.0	80.0	80.0
19.125	59		60.0	80.0	80.0
26.5	59		60.0	80.0	80.0
37	59		60.0	80.0	80.0
42	59		60.0	80.0	80.0
48	59	6	60.0	80.0	80.0
53.125	59		60.0	80.0	80.0
19.125	63		60.0	80.0	80.0
26.5	63		60.0	80.0	80.0
37	63		60.0	80.0	80.0
42	63	8	60.0	80.0	80.0
48	63		60.0	80.0	80.0
53.125	63		60.0	80.0	80.0
19.125	74.25		60.0	80.0	80.0
26.5	74.25		60.0	80.0	80.0
37	74.25	8	60.0	80.0	80.0
42	74.25		60.0	80.0	80.0
19.125	78		60.0	80.0	80.0
26.5	78		60.0	80.0	80.0
37	78		60.0	80.0	80.0
42	78	8	59.0	79.0	79.0

DESIGN LOAD CAPACITY (PSF) - VIEW WINDOWS W/ 4H VENTS					
WINDOW		# Jamb Anchors	+ / - Pressures (psf)		
WIDTH	HEIGHT		Glass Type 4	Glass Type 5	Glass Type 6
19.125	59	6	60.0	80.0	80.0
26.5	59		60.0	80.0	80.0
37	59		60.0	80.0	80.0
42	59		60.0	80.0	80.0
48	59		6	60.0	80.0
53.125	59	60.0		80.0	80.0
19.125	63	60.0		80.0	80.0
26.5	63	60.0		80.0	80.0
37	63	8		60.0	80.0
42	63		60.0	80.0	80.0
48	63		60.0	80.0	80.0
53.125	63		60.0	80.0	80.0
19.125	74.25		8	60.0	80.0
26.5	74.25	60.0		80.0	80.0
37	74.25	60.0		80.0	80.0
42	74.25	60.0		80.0	80.0
53.125	74.25	8		60.0	80.0
19.125	78		60.0	80.0	80.0
26.5	78		60.0	80.0	80.0
37	78		60.0	80.0	80.0
42	78		8	59.0	79.0



APPROVED CONFIGURATIONS UN-EQUAL LITE

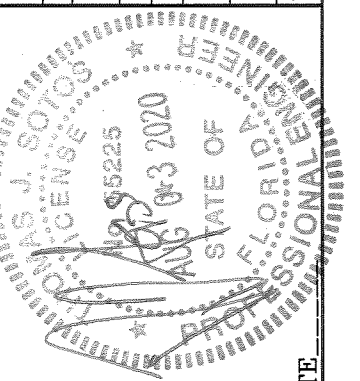
DESIGN LOAD CAPACITY (PSF) - EQUAL LITE WINDOWS									
WINDOW		# Jamb Anchors	+ / - Pressures (psf)						
WIDTH	HEIGHT		Glass Type 2	Glass Type 3	Glass Type 4	Glass Type 5	Glass Type 6	Glass Type 7	
19.125	26	4	80.0	80.0	60.0	80.0	80.0	80.0	
26.5	26		80.0	80.0	60.0	80.0	80.0	80.0	
37	26		80.0	80.0	60.0	80.0	80.0	80.0	
42	26		80.0	80.0	60.0	80.0	80.0	80.0	
48	26		80.0	80.0	60.0	80.0	80.0	80.0	
53.125	26	4	80.0	80.0	60.0	80.0	80.0	80.0	
19.125	38.375		80.0	80.0	60.0	80.0	80.0	80.0	
26.5	38.375		80.0	80.0	60.0	80.0	80.0	80.0	
37	38.375		80.0	80.0	60.0	80.0	80.0	80.0	
42	38.375		80.0	80.0	60.0	80.0	80.0	80.0	
48	38.375	6	80.0	80.0	60.0	80.0	80.0	80.0	
53.125	38.375		80.0	80.0	60.0	80.0	80.0	80.0	
19.125	50.625		80.0	80.0	60.0	80.0	80.0	80.0	
26.5	50.625		80.0	80.0	60.0	80.0	80.0	80.0	
37	50.625		6	80.0	80.0	60.0	80.0	80.0	80.0
42	50.625	80.0		80.0	60.0	80.0	80.0	80.0	
48	50.625	80.0		80.0	60.0	80.0	80.0	80.0	
53.125	50.625	80.0		80.0	60.0	80.0	80.0	80.0	
19.125	59	6		80.0	80.0	60.0	80.0	80.0	80.0
26.5	59		80.0	80.0	60.0	80.0	80.0	80.0	
37	59		80.0	80.0	60.0	80.0	80.0	80.0	
42	59		80.0	80.0	60.0	80.0	80.0	80.0	
48	59		80.0	80.0	-	-	-	80.0	
53.125	59	6	80.0	80.0	-	-	-	80.0	
19.125	63		80.0	80.0	60.0	80.0	80.0	80.0	
26.5	63		80.0	80.0	60.0	80.0	80.0	80.0	
37	63		80.0	80.0	60.0	80.0	80.0	80.0	
42	63		8	80.0	80.0	60.0	80.0	80.0	80.0
48	63	80.0		80.0	-	-	-	80.0	
53.125	63	80.0		80.0	-	-	-	80.0	
19.125	74.25	8		80.0	80.0	60.0	80.0	80.0	80.0
26.5	74.25			80.0	80.0	60.0	80.0	80.0	80.0
37	74.25		80.0	80.0	-	-	-	80.0	
42	74.25		80.0	80.0	-	-	-	80.0	
48	74.25		8	80.0	80.0	-	-	-	80.0
53.125	74.25	74.0		77.0	-	-	-	80.0	
19.125	78	80.0		80.0	60.0	80.0	80.0	80.0	
26.5	78	80.0		80.0	60.0	80.0	80.0	80.0	
37	78	8		80.0	80.0	-	-	-	80.0
42	78		79.0	79.0	-	-	-	79.0	
48	78		71.0	71.0	-	-	-	71.0	



APPROVED CONFIGURATIONS - EQUAL LITE

PRODUCT REVISED
as complying with the Florida Building Code
NOA-No. 20-0813.07
Expiration Date 12/27/2026
By
Miami-Dade Product Control

THOMAS J. SOTOS
PROFESSIONAL ENGINEER
FL LIC. # 55225



Revision Note:	A. Revised to Comply w/ 2010 FBC	Date Drawn:	05-27-09
	B. Revised to Comply w/ 2014 FBC	Date Revised:	07/31/20
	C. Compliance w/ FBC 5th Edition (2014) and ASTM E1300-09	Scale:	E
Drawn By:	N. ERAZO		
Revised By:	N. Erazo		
Revision Level:	E		

LAWSON INDUSTRIES, INC.

8501 N.W. 90 ST.
MEDLEY, FLORIDA 33166
PH No. (305) 696-8660

MANUFACTURER OF QUALITY ALUMINUM WINDOWS AND GLASS DOORS

SERIES-7700 SINGLE HUNG FLANGE FRAME IMPACT WINDOW

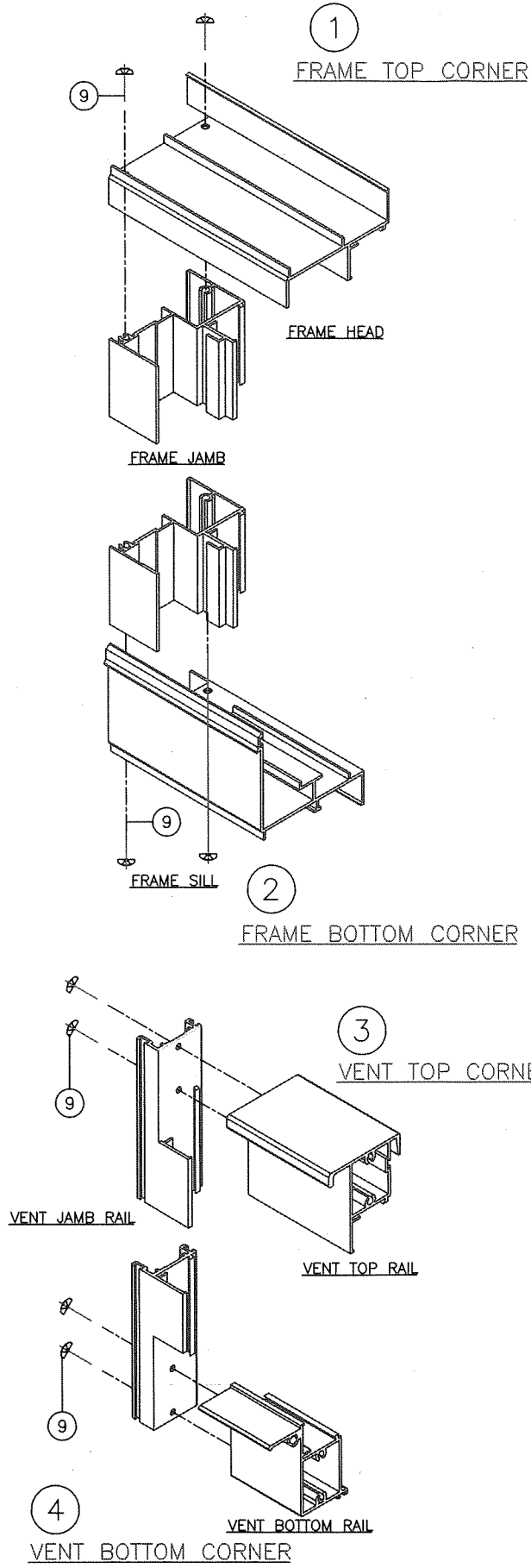
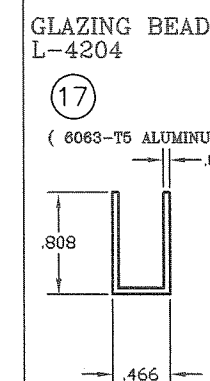
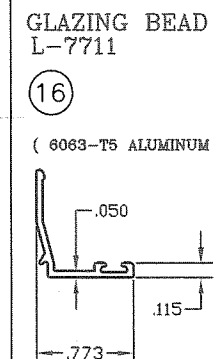
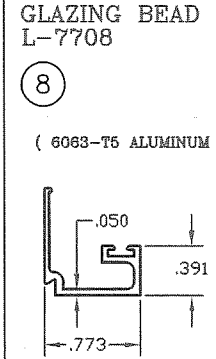
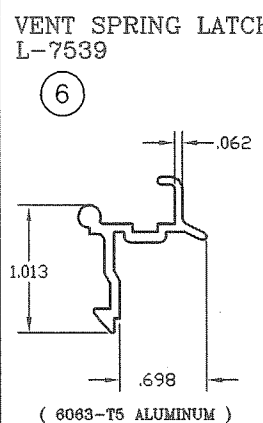
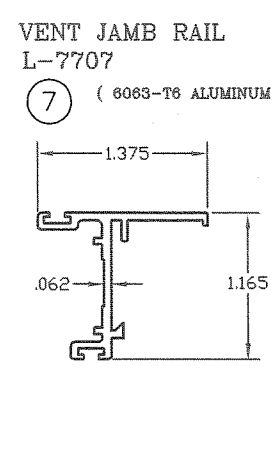
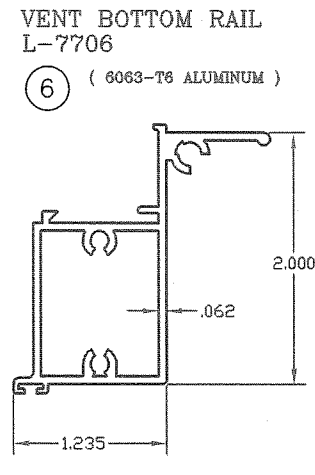
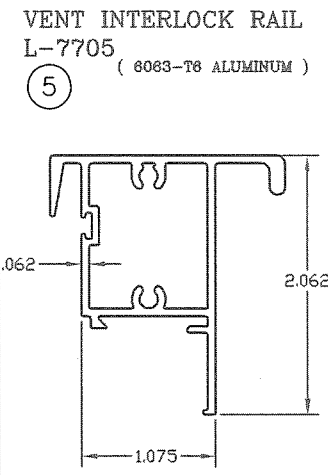
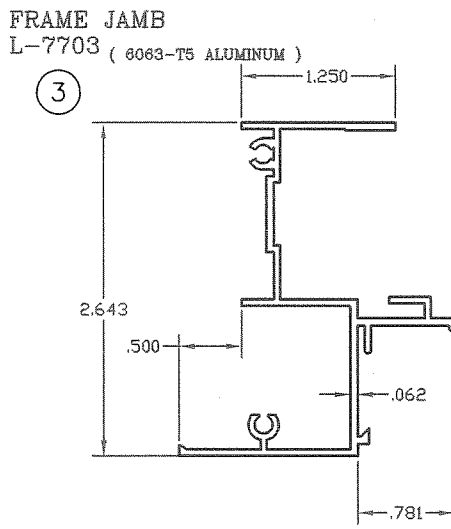
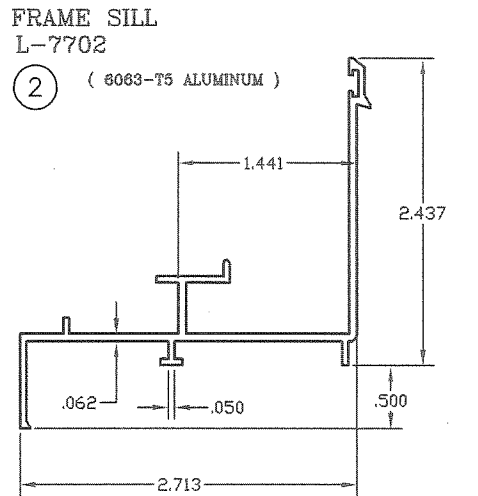
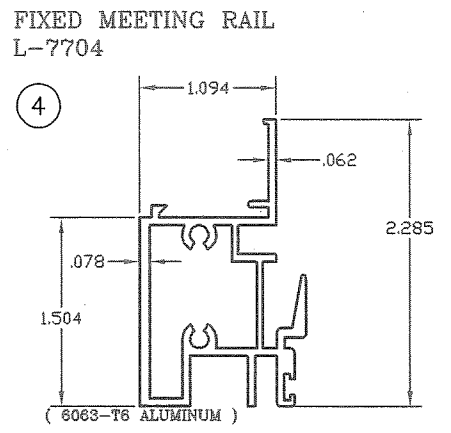
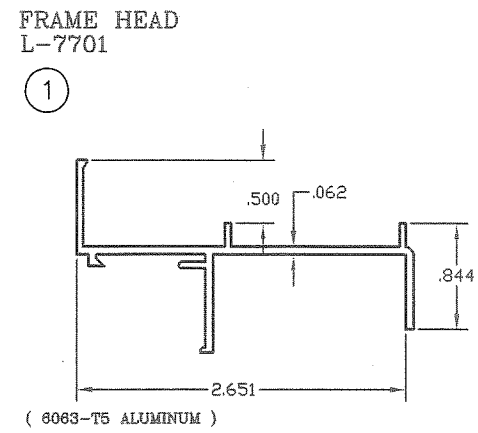
DESIGN PRESSURE CHARTS, & CONFIGURATION OPTIONS

Product Reference Number: L7700-0901

Sheet: 4 OF 5

Revision #: _____

DATE



FRAME & SASH CORNER DETAILS

BILL OF MATERIALS				
ITEM #	PART #	REQD.	DESCRIPTION	REMARKS
1	L-7801	1	FLANGE FRAME HEAD	6063-T6 ALUMINUM
2	L-7802	1	FLANGE FRAME SILL	6063-T6 ALUMINUM
3	L-7803	2	FLANGE FRAME JAMB	6063-T6 ALUMINUM
4	L-7704	1	FRAME FIXED MEETING RAIL	6063-T6 ALUMINUM
5	L-7705	1	VENT MEETING (TOP) RAIL	6063-T6 ALUMINUM
6	L-7706	1	VENT BOTTOM (LATCH) RAIL	6063-T6 ALUMINUM
7	L-7707	2	VENT JAMB (SIDE) RAIL	6063-T6 ALUMINUM
8	L-7708	AS REQ'D.	GLAZING BEAD (3/8")	6063-T5 ALUMINUM
9	FS-006	AS REQ'D.	FRAME ASSEMBLY SCREWS	#8 X 3/4" P.H. PHILLIPS
10	FS-040	AS REQ'D.	INSTALLATION SCREWS	#14 X 1 1/4" F.H./PHIL.
11	L-7531	AS REQ'D.	BULB VINYL WTS'P	1/4" DIA. BULB #3033
12	PWS-003	AS REQ'D.	FIN SEAL WEATHERSTRIP	.187"x.230"
13	PWS-005	AS REQ'D.	FIN SEAL WEATHERSTRIP	.187"x.350"
14	PWS-009	AS REQ'D.	FIN SEAL WEATHERSTRIP	.187"x.310"
15	HC-024-1	2	SELF ADHESIVE PILE PAD	1/4" X 1 1/2"
16	L-7711	AS REQ'D.	GLAZING BEAD/ INSULATED	6063-T5 ALUMINUM
17	L-4204	AS REQ'D.	GLAZING BEAD - RADIUS	6063-T5 ALUMINUM
18	L-7723	1	SASH BALANCE CAM/GUIDE	(2 X VENT)
19	L-7725	2	RIGID VINYL SASH STOP	(2 X FRAME)
20	L-7727	2	BLOCK & TACKLE BALANCE	BSI Balance Systems
21	L-7539	2	VENT LIFT LATCH	6063-T5 ALUMINUM
22	L-7523	1X LATCH	VENT LATCH SPRING	STAINLESS STEEL
23	*	AS REQ'D.	GLAZING SILICONE	SEE GLAZING @ SHT. 3
24	*	2	Laminated Glass	SEE GLAZING DETAILS
25	HC-057-1	2	VENT LIFT LATCH	MOLDED NYLON
26	HC-058-1	2	VENT SWEEP LATCH	MOLDED NYLON
27	*	2	FRAME SILL FOAM GASKET	SELF ADHESIVE
28	HC-026-1	1	SCREEN FRAME & MESH	
29	L-7730	1	PRODUCT LABEL	
30	*	*	*	*
31	SM-5504	AS REQ'D.	JOINT SEALANT	SM-5504
32	*	AS REQ'D.	PERIMETER ACRYLIC CAULK	OSI POLYSEAMSEAL

8501 N.W. 90 ST.
MEDLEY, FLORIDA 33166
PH No. (305) 696-8660

LAWSON INDUSTRIES, INC.

MANUFACTURER OF QUALITY ALUMINUM WINDOWS AND GLASS DOORS

SERIES-7700 SINGLE HUNG FLANGE FRAME IMPACT WINDOW

BILL OF MATERIALS, EXTRUSION DETAILS & CORNER ASSEMBLY DETAILS

Revision #: 5 OF 5
Sheet: 5 OF 5
Drawing Number: L7700-0901
Product Reference Number: L7700-0901

Revision Notes:
A. Revised to Comply w/ 2010 FBC
B. Revised to Comply w/ 2014 FBC
C. Compliance w/ FBC 5th Edition (2014) and ASTM E1300-09
D. Revised to Comply w/ 2017 FBC
E. Revised to Comply w/ 2020 FBC

Drawn By: N. ERAZO
Date Drawn: 05-27-09

Reviewed By: N. Erazo
Date Reviewed: 07/31/20

Scale: E

PRODUCT REVISED
as complying with the Florida Building Code
NOA-No. 20-0813.07
Expiration Date 12/27/2026
By *[Signature]*
Miami-Dade Product Control

THOMAS J. SOTOS
PROFESSIONAL ENGINEER
FL LIC. # 55225

DATE: _____